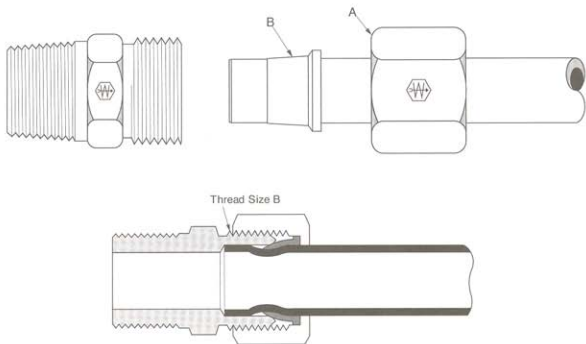
 Refer to safety information regarding proper selection of tubing and tube fittings on page 1.



<b>Tube O.D.</b>	1/8	3/16	1/4	5/16	3/8	7/16	1/2	5/8	3/4	1
<b>Thread Size-B</b>	5/16-24	3/8-24	7/16-24	1/2-24	9/16-24	5/8-24	11/16-20	13/16-18	1-18	1-1/4-18

#### • Typical Application

Instrumentation, hydraulic and pneumatic systems.

#### • Pressure

Working pressure up to 2000 psi with a 4:1 safety factor depending on tube size. When using plastic tubing, use the working pressure for type used.

#### • Vibration

Good resistance - use long nut when greater vibration resistance is needed.

#### • Temperature Range

-65°F to +250°F (-53°C to +121°C) with metal tubing. When using compatible plastic tubing do not exceed the tubing temperature range. (Refer to tubing temperature range.)

#### • Material

CA360 Brass.

#### • Used With

Aluminum, copper and Weatherhead plastic tubing.  
Plastic tubing, except for PT230, requires 2030x insert. Not recommended for steel tubing. See page 28-32 for material compatibility, and pages 33-35 for plastic tubing.

#### • Advantages

Selfaligning - no need to disassemble fitting to line up sleeve on tube. Low cost. Easy to assemble, no flaring. Available with long or short nut. Broad selection of styles and sizes.

#### • Conformance

An exclusive item with Weatherhead, user approvals only.

#### • How to Order

Selfalign fittings are ordered as complete assemblies (body, nut and sleeve). To order assembly supplied with long nuts, simply add the prefix "1" to the catalog number. Example: 681x4 with long nut becomes 1681x4. Nuts and sleeves can be ordered separately by catalog number. To order bodies only (less nut and sleeve), prefix catalog number with the letter "B" and drop suffix number. Example: B68x4.

#### • NOTE

Refer to current price list for availability of cataloged items. Quotations and delivery of non-stock items supplied on request. Configurations and dimensions subject to change without notice.

#### • Assembly Instructions

1. Cut tubing to desired length.
2. Slide nut and then sleeve on tube. Threaded end of nut "A" and small end of sleeve "B" must face toward fitting.
3. Insert tubing into fitting body. Be sure tubing is bottomed on fitting shoulder.
4. Lubricate threads and assemble nut to fitting body.
5. Tighten with wrench to the "ring grip" point.
  - a. Ring Grip is the point when the cutting edge of the sleeve grips the tube. This is determined by turning tube slowly but firmly by hand while tightening the nut with a wrench until tube can no longer be turned by hand and a sharp increase in torque is noticed.
6. Tighten additional turns past "ring grip" as indicated on chart. Ref. to page 55.

**Label Set:** CL-500 (non-adhesive)

 Refer to safety information on page 1 & 2.



 **WARNING:** Must be used in a well ventilated area!

## T-560 • MAGNATORCH BRAZING MACHINE

The new Magnatorch Brazing Machine from Weatherhead is perfect for making large numbers of FOR-SEAL® Tube Fitting Assemblies. By providing 360 degree induction heating, the brazing process is fast, clean and flameless. A heavy duty cart is also provided with table top work area, vise, and storage drawer to make up a complete brazing station. The T-560 includes one each of the following:

Catalog Number	Qty.	Description
T-560-1	1	Magnatorch Power Source
T-560-2	1	Magnatorch Water System
T-560-3	1	Magnatorch Induction Torch
T-560-4	1	Magnatorch Power Cables
T-560-5	1	Magnatorch Heating Coil #1 (1-1/4 I.D.)
T-560-6	1	Magnatorch Heating Coil #2 (1-5/16 I.D.)
T-560-7	1	Magnatorch Heating Coil #3 (2-1/4 I.D.)
T-560-8	1	Magnatorch Torch Cart

## LABEL SETS

for FC-16X, C-63X and C-632X Cabinets



Full assortment available. Each label contains catalog number, illustration, size data and color coding for quick, positive identification of parts. Labels slide easily into slots on drawers and dividers.

Catalog Number	Description
CL-16-1	Standard Brass Fittings for FC-16X cabinet.
CL-16-2	Air brake fittings for copper tubing. Use with FC-16X cabinet.
CL-16-3	Air brake fittings for nylon tubing. Use with FC-16X cabinet.
CL-434	Fuel Line Hose Fittings (series 057B).
CL-490	Standard brass fittings, drain and shut-off cocks includes Compression, SAE, Inverted and Pipe, and series 057B fuel line hose fittings.
CL-491	Air brake fittings for copper tubing.
CL-492	Hydraulic brake fittings.
CL-493	Barb-Tite® hose ends.
CL-494	Master Set - contains one each of CL-490, CL-491, CL-492, CL-493.
CL-496	Mini-Barb® fittings.
CL-497	Air brake fittings for nylon tubing.
CL-498	Polyline® fittings.
CL-499	Push>Connect
CL-500	Selfalign®
CL-501	Plastic Fittings
CL-502	Metric Adapters
CL-503	QCAB® Fittings

## SELF-ADHESIVE LABEL SETS

for FH-15X and C-15X Cabinets



Labels are printed on self-adhesive stock for quick application. Each label contains an illustration of the part along with the catalog number and size information.

Catalog Number	Description
FS-100	Swivel Adapters
FS-200	JIC 37° Flare Twin Steel Adapters
FS-300	Split Flange Adapters, Split Flange Kits, O-Ring Port Adapters
FS-500	Barb-Tite® Hose Ends
FS-501	BL-456 Assortment Label Set
FS-800	Air brake fitting for copper tubing and 338 "B" Series Hose Ends
FS-900	Air brake fittings for nylon tubing
FS-1000	Mini-Barb® fittings
FS-1600	Flareless Ermelo® 7000 Series
FS-2000	Steel pipe fittings
FS-2100	Polyline® fittings
FS-2400	FOR-SEAL® Adapters
FS-3300	QCAB® Fittings
SH-53	Weatherhead envelope 6" x 4-1/2" (Qty 500)
W-8022	Standard brass fittings and drain-shut-off valves

## PLASTIC BAGS



Weatherhead heavy-duty plastic bags for Weatherhead fittings come in sizes 5"x6", 6"x10", and 8"x12". The bags include convenient spaces for labeling.

Catalog Number	Description	Qty.
5x6 PB	Plastic Bag	100
6x10 PB	Plastic Bag	100
8x12 PB	Plastic Bag	100