

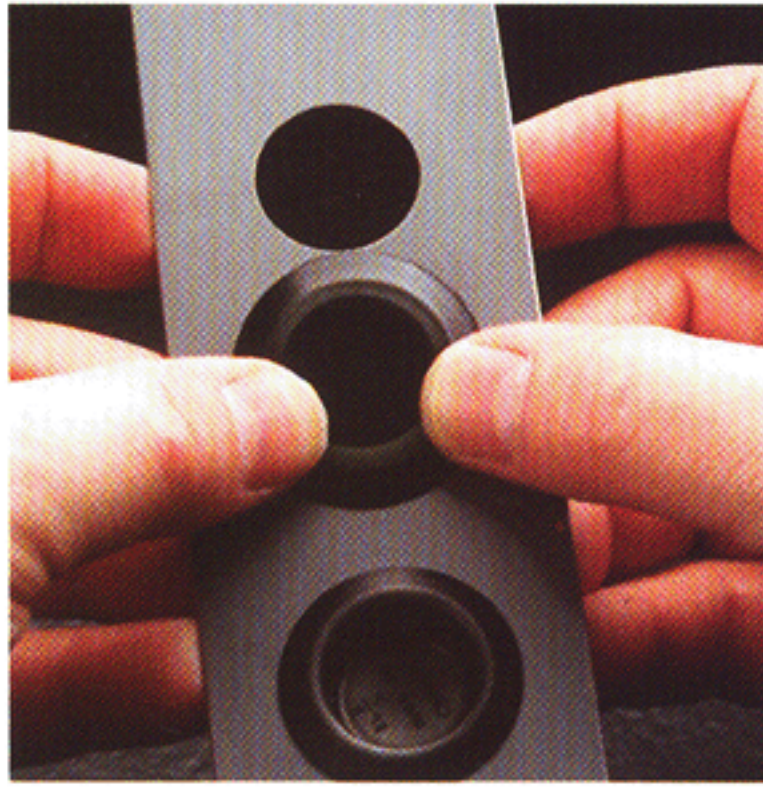


PLUGS non-threaded

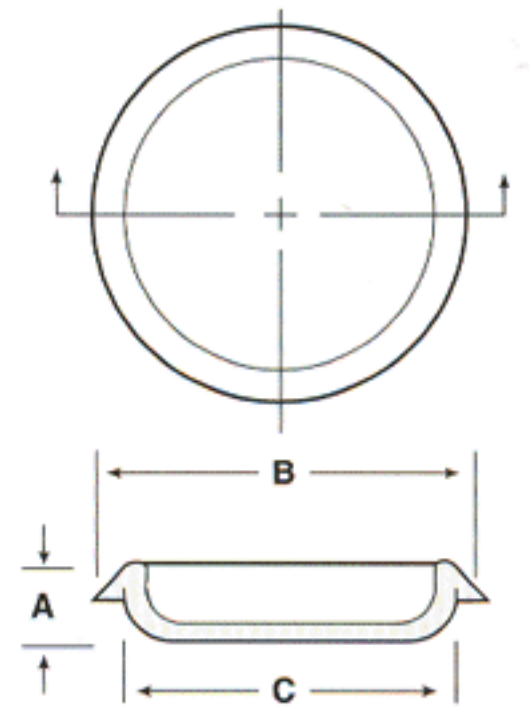
BP Series Button Plugs with Recessed-Type Heads



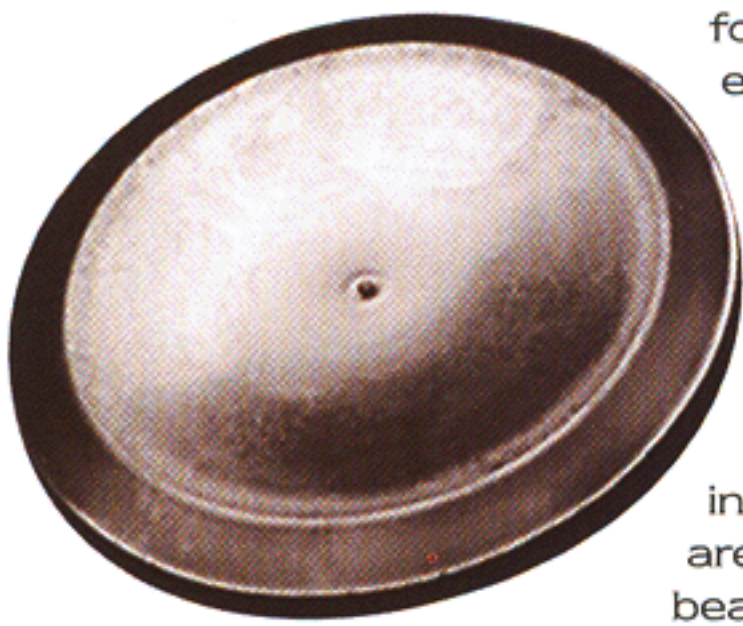
Series BP Button Plugs with recessed-type heads can be used for plugging holes in equipment made of sheet metal, such as automobile bodies, tanks, refrigeration units, etc. Series BP Button Plugs can be snapped into holes easily and are held in place by a bead until deliberately removed.



MATERIAL: Low Density Polyethylene
COLOR*: Black



BPF Series Button Plugs with Flush-Type Heads

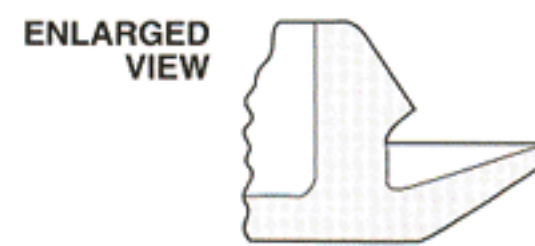
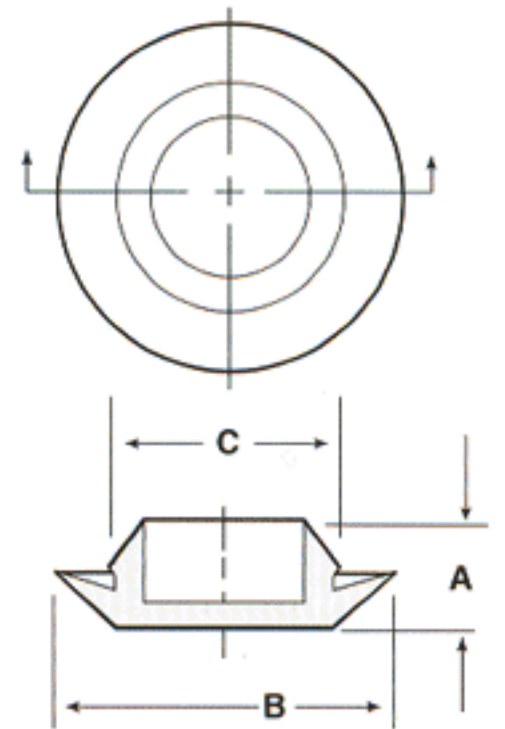


Series BPF Button Plugs with flush-type heads can be used for plugging holes in equipment made of sheet metal, such as automobile bodies, tanks, refrigeration units, etc. Series BPF Button Plugs can be snapped into holes easily and are held in place by a bead until deliberately removed.



Used on a car doorjamb

MATERIAL: Low Density Polyethylene
COLOR*: Black



non-threaded PLUGS



BP Series

Dimensions										Packaging				Caplug No.
Hole Size		Metal Thickness		A		B		C		Standard Carton		Mini Pak Quantity		
in	mm	in	mm	in	mm	in	mm	in	mm	Shipping Wt. (Approx.)	No. of Pieces			
										lbs	kgs			
.50-.52	12.70-13.21	.02-.07	0.51-1.78	.29	7.37	.85	21.59	.55	13.97	6	2.7	5000	1000	BP-1/2
.50-.52	12.70-13.21	.06-.13	1.52-3.30	.32	8.13	.85	21.59	.55	13.97	6	2.7	5000	1000	BP-1/2-4
.73-.76	18.54-19.30	.02-.14	0.51-3.56	.36	9.14	1.16	29.47	.79	20.07	13	5.8	5000	1000	BP-3/4
.79-.82	20.07-20.83	.02-.07	0.51-1.78	.29	7.37	1.15	29.21	.85	21.59	11	4.9	5000	1000	BP-13/16
.87-.90	22.10-22.86	.02-.10	0.51-2.54	.35	8.89	1.23	31.24	.93	23.62	13	5.8	5000	1000	BP-7/8
.90-.91	22.86-23.11	.02-.10	0.51-2.54	.35	8.89	1.25	31.75	.95	24.13	14	6.3	5000	1000	BP-29/32
.99-1.02	25.15-25.91	.02-.10	0.51-2.54	.35	8.89	1.35	34.29	1.05	26.67	16	7.2	5000	1000	BP-1
1.04-1.07	26.42-27.18	.02-.10	0.51-2.54	.35	8.89	1.40	35.56	1.10	27.94	18	8.1	5000	1000	BP-1-1/16
1.09-1.12	27.69-28.45	.02-.10	0.51-2.54	.35	8.89	1.47	37.34	1.16	29.47	20	9	5000	1000	BP-1-3/32
1.10-1.15	27.94-29.21	.02-.18	0.51-4.57	.43	10.92	1.53	38.86	1.18	29.97	13	5.8	2500	500	BP-1-1/8
1.23-1.27	31.24-32.26	.01-.10	0.25-2.54	.35	8.89	1.60	40.64	1.30	33.02	13	5.8	2500	500	BP-1-1/4
1.30-1.34	33.02-34.04	.01-.10	0.25-2.54	.35	8.89	1.67	42.42	1.36	34.55	15	6.8	2500	500	BP-1-5/16
1.36-1.40	34.55-35.56	.02-.10	0.51-2.54	.35	8.89	1.73	43.94	1.43	36.32	12	5.4	2500	500	BP-1-3/8
1.48-1.52	37.59-38.61	.02-.10	0.51-2.54	.35	8.89	1.85	46.99	1.55	39.37	15	6.8	2500	500	BP-1-1/2
1.48-1.52	37.59-38.61	.13-.22	3.30-5.59	.50	12.70	1.83	46.48	1.54	39.12	18	8.1	2000	400	BP-1-1/2-7
1.59-1.65	40.39-41.91	.03-.10	0.76-2.54	.36	9.14	2.00	50.80	1.68	42.67	12	5.4	1500	300	BP-1-5/8
1.72-1.77	43.69-44.96	.02-.10	0.51-2.54	.35	8.89	2.10	53.34	1.80	45.72	19	8.6	2500	500	BP-1-3/4
1.70-1.78	43.18-45.21	.02-.16	0.51-4.06	.43	10.92	2.25	57.15	1.80	45.72	22	9.9	2000	400	BP-1-3/4-5
1.77-1.82	44.96-46.23	.02-.10	0.51-2.54	.35	8.89	2.16	54.87	1.85	46.99	18	8.1	2500	500	BP-1-13/16
1.85-1.90	46.99-48.26	.02-.10	0.51-2.54	.35	8.89	2.24	56.90	1.93	49.02	17	7.6	2000	400	BP-1-7/8
1.97-2.02	50.04-51.31	.02-.10	0.51-2.54	.36	9.14	2.35	59.69	2.05	52.07	11	4.9	1000	200	BP-2
2.45-2.51	62.23-63.76	.02-.10	0.51-2.54	.35	8.89	2.85	72.39	2.54	64.52	18	8.1	1000	200	BP-2-1/2
2.44-2.53	61.98-64.26	.02-.14	0.51-3.56	.43	10.92	3.00	76.20	2.55	64.77	19	8.6	1000	200	BP-2-1/2-5

BPF Series

Dimensions										Packaging				Caplug No.
Hole Size		Metal Thickness		A		B		C		Standard Carton		Mini Pak Quantity		
in	mm	in	mm	in	mm	in	mm	in	mm	Shipping Wt. (Approx.)	No. of Pieces			
										lbs	kgs			
.18-.19	4.57-4.90	.02-.04	0.51-1.02	.21	5.40	.39	9.90	.21	5.40	4	1.8	5000	1000	BPF-5mm**
.23-.24	5.84-6.10	.02-.06	0.51-1.52	.45	11.40	.50	12.70	.29	7.40	3	1.3	5000	1000	BPF-6mm**
.24-.25	6.10-6.35	.02-.07	0.51-1.78	.21	5.33	.5	12.70	.28	7.11	3	1.3	5000	1000	BPF-1/4**
.24-.25	6.10-6.35	.07-.13	1.78-3.30	.3	7.62	.5	12.70	.28	7.11	4	1.8	5000	1000	BPF-1/4-4**
.37-.38	9.40-9.65	.02-.05	0.51-1.27	.19	4.83	.75	19.05	.41	10.41	5	2.2	5000	1000	BPF-3/8
.37-.38	9.40-9.65	.06-.11	1.52-2.79	.24	6.1	.75	19.05	.41	10.41	5	2.2	5000	1000	BPF-3/8-3
.43-.45	10.92-11.43	.03-.06	0.76-1.52	.22	5.59	.69	17.53	.47	11.94	7	3.1	5000	1000	BPF-7/16
.49-.51	12.45-12.95	.03-.08	0.76-2.03	.25	6.35	.86	21.84	.54	13.72	7	3.1	5000	1000	BPF-1/2
.55-.56	13.97-14.22	.03-.08	0.76-2.03	.25	6.35	.87	22.1	.67	15.24	7	3.1	5000	1000	BPF-9/16
.61-.63	15.49-16.00	.06-.08	1.52-2.03	.26	6.6	.81	20.57	.67	17.02	7	3.1	5000	1000	BPF-5/8
.68-.70	17.27-17.78	.03-.08	0.76-2.03	.25	6.35	1.01	25.66	.73	18.54	12	5.4	5000	1000	BPF-11/16
.73-.76	18.54-19.30	.05-.11	1.27-2.79	.29	7.37	1.01	25.66	.79	20.07	13	5.8	5000	1000	BPF-3/4
.80-.83	20.32-21.08	.16-.19	4.06-4.83	.37	9.4	1.11	28.2	.85	21.59	18	8.1	5000	1000	BPF-13/16-6
.86-.88	21.84-22.35	.03-.08	0.76-2.03	.25	6.35	1.16	29.47	.91	23.11	16	7.2	5000	1000	BPF-7/8
.86-.88	21.84-22.35	.13-.18	3.30-4.57	.36	9.14	1.16	29.47	.91	23.11	17	7.6	5000	1000	BPF-7/8-6
.92-.95	23.37-24.13	.03-.08	0.76-2.03	.25	6.35	1.31	33.28	.98	24.89	17	7.6	5000	1000	BPF-15/16
.98-1.01	24.89-25.66	.03-.08	0.76-2.03	.25	6.35	1.37	34.80	1.04	26.42	20	9	5000	1000	BPF-1
1.10-1.15	27.94-29.21	.02-.18	0.51-4.57	.43	10.92	1.53	38.86	1.18	29.97	13	5.8	2500	500	BPF-1-1/8-6
1.16-1.20	29.47-30.48	.03-.08	0.76-2.03	.25	6.35	1.56	39.63	1.22	30.99	12	5.4	2500	500	BPF-1-3/16
1.22-1.26	30.99-32.01	.03-.08	0.76-2.03	.25	6.35	1.62	41.15	1.29	32.77	14	6.3	2500	500	BPF-1-1/4
1.29-1.33	32.77-33.78	.03-.08	0.76-2.03	.25	6.35	1.68	42.67	1.36	34.55	14	6.3	2500	500	BPF-1-5/16
1.48-1.51	37.59-38.36	.02-.08	0.51-2.03	.25	6.35	1.88	47.75	1.54	39.12	18	8.1	2500	500	BPF-1-1/2
1.73-1.76	43.94-44.71	.03-.08	0.76-2.03	.25	6.35	2.13	54.1	1.79	45.47	10	4.5	1000	200	BPF-1-3/4
1.98-2.01	50.29-51.05	.03-.08	0.76-2.03	.29	7.36	2.36	59.94	2.04	51.81	12	5.4	1000	200	BPF-2
2.10-2.14	53.34-54.36	.03-.08	0.76-2.03	.25	6.35	2.49	63.25	2.17	55.12	15	6.8	1000	200	BPF-2-1/8
2.97-3.02	75.44-76.71	.03-.08	0.76-2.03	.25	6.35	3.36	85.35	3.06	77.73	17	7.6	750	150	BPF-3
3.10-3.15	78.74-80.01	.03-.08	0.76-2.03	.25	6.35	3.52	89.41	3.18	80.78	18	8.1	750	150	BPF-3-1/8
3.35-3.40	85.09-86.36	.03-.08	0.76-2.03	.28	7.11	3.75	95.25	3.43	87.13	14	6.3	500	100	BPF-3-3/8
3.47-3.52	88.14-89.41	.03-.11	0.76-2.79	.28	7.11	3.86	98.05	3.56	90.43	14	6.3	500	100	BPF-3-1/2
3.97-4.02	100.84-102.11	.05-.10	1.27-2.54	.28	7.11	4.37	111	4.13	104.9	18	8.1	500	100	BPF-4

*F-6mm, BPF-1/4 and BPF-1/4-4 are EVA (ethylene vinyl acetate).