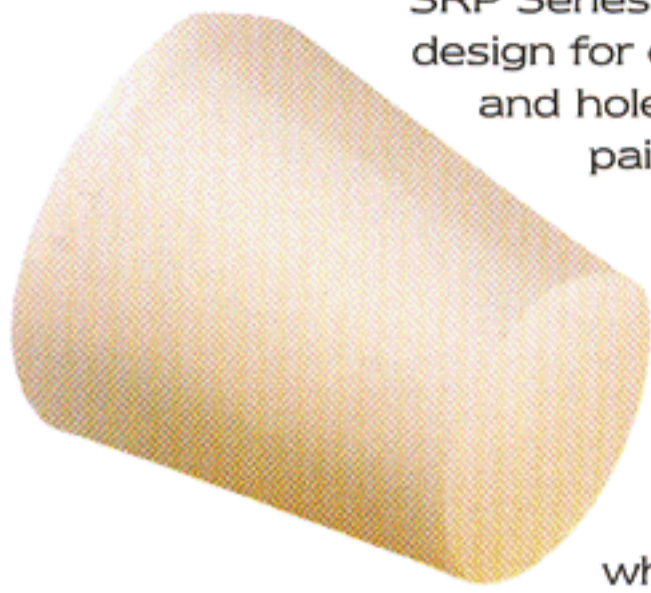


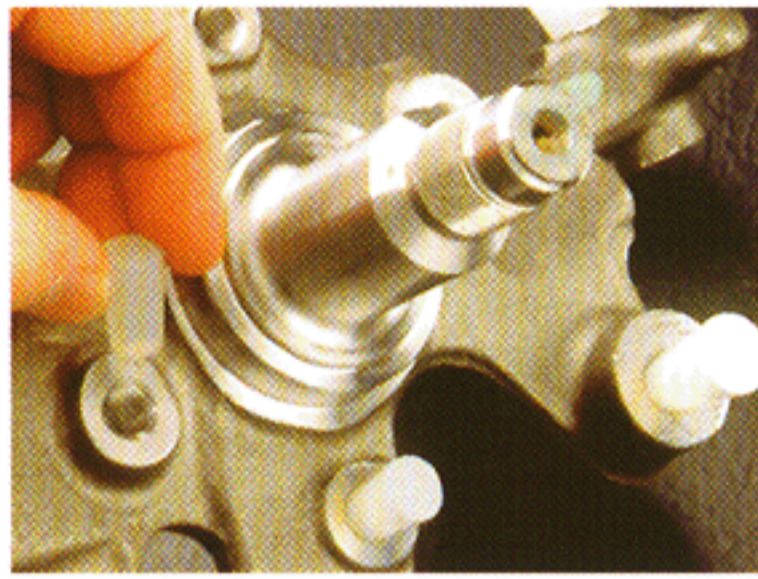


# PLUGS non-threaded

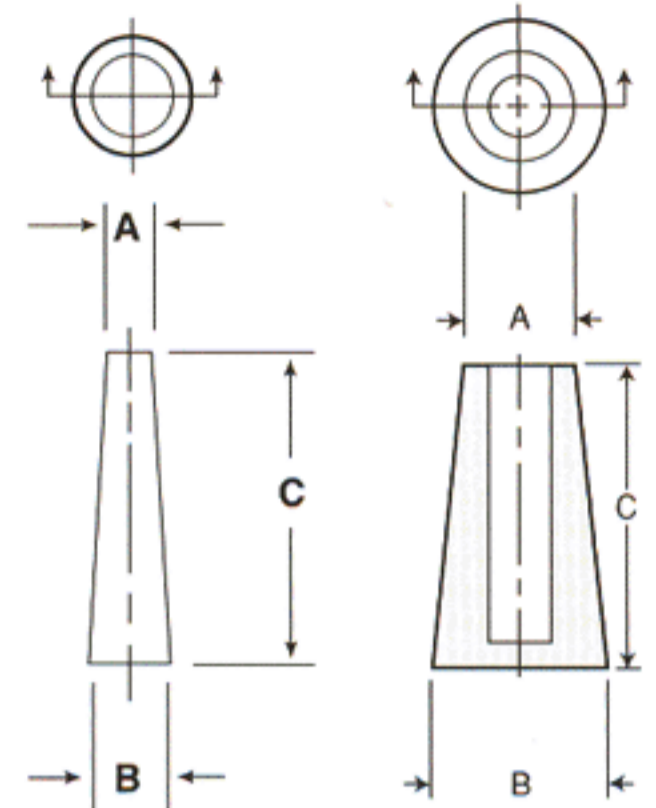
## SRP Series Silicone Rubber Plugs



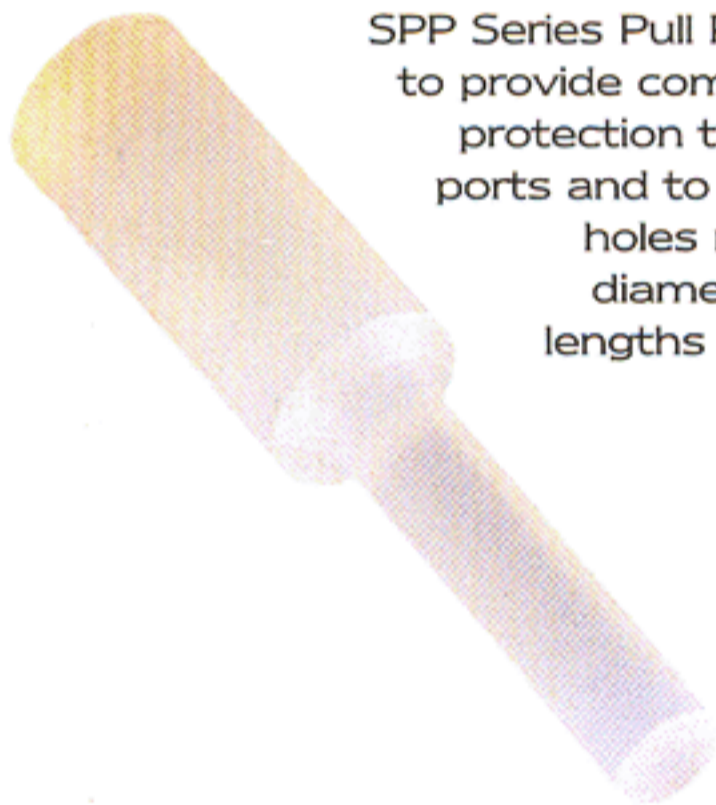
SRP Series Plugs have a tapered design for ease in plugging ports and holes in parts undergoing painting, plating, powder coating, anodizing, abrasive chemical processing, or exposure to high temperatures up to 600°F (316°C). Smaller sizes are solid while larger parts (Caplug No. with an H suffix) have a hollow design.



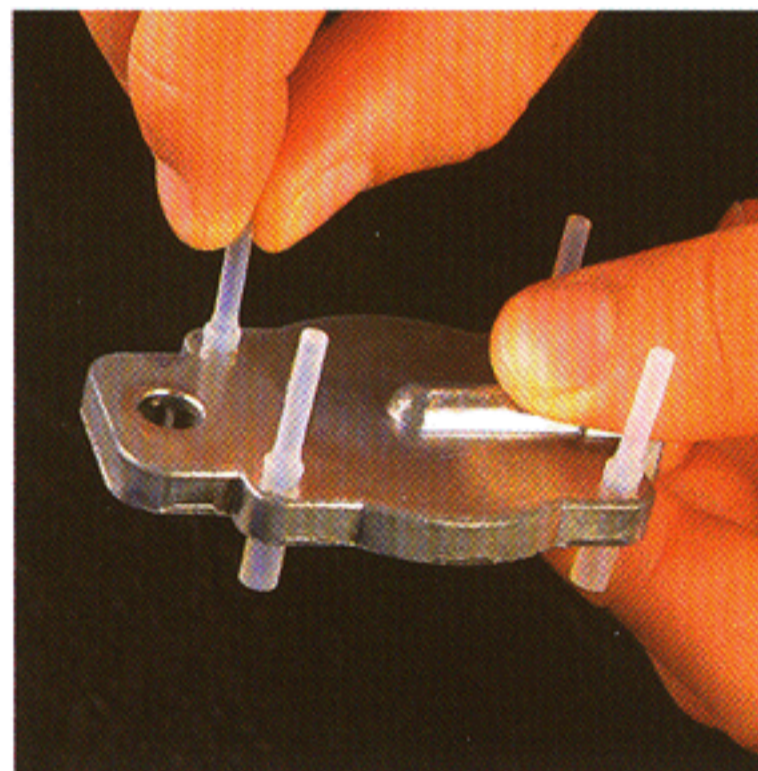
MATERIAL: Silicone Rubber  
COLOR\*: Natural



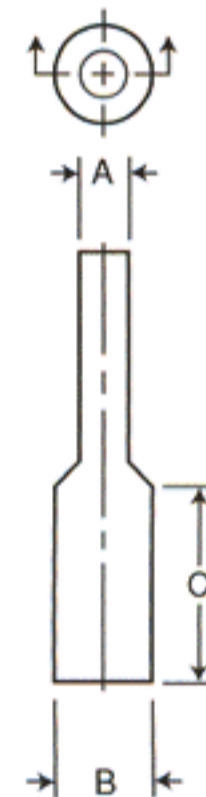
## SPP Series Silicone Rubber Pull Plugs



SPP Series Pull Plugs are designed to provide complete and positive protection to female-threaded ports and to the inside walls of holes ranging from .091" diameter to .335" and in lengths from .62" to 1.00".



MATERIAL: Silicone Rubber  
COLOR\*: Natural



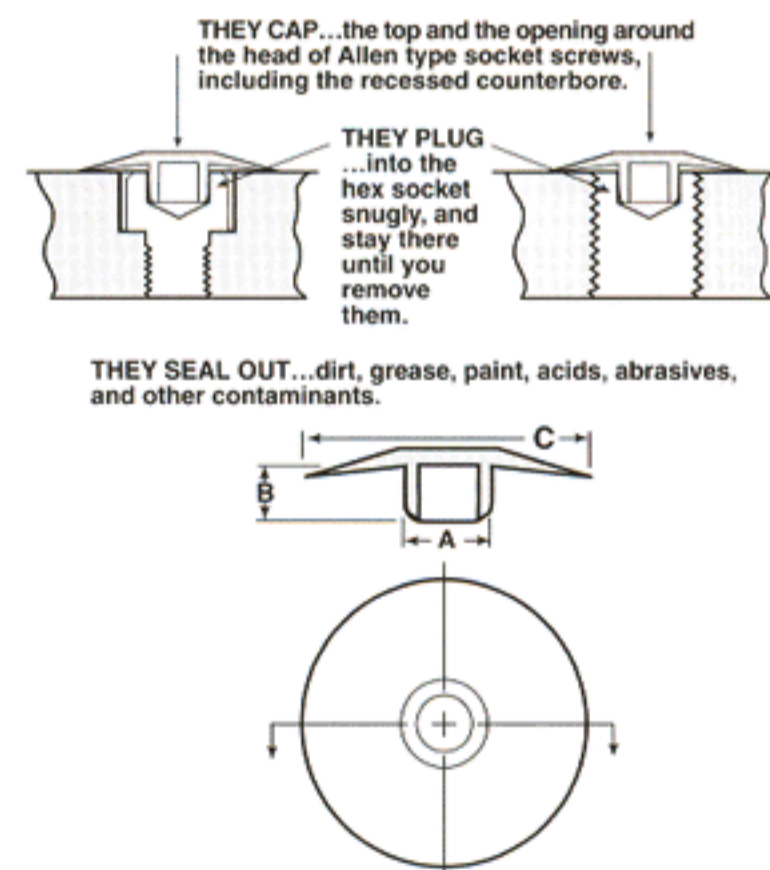
## SH Series Finishing Plugs for Socket Head Screws



Series SH Finishing Plugs keep foreign matter out of the screw head driving recess and the counterbore. Ideal for sanitary-type equipment, screws that need periodic resetting, production and maintenance spray painting and numerous other applications. Translucent polyethylene ensures visual identification of socket screws.



MATERIAL: Low Density Polyethylene  
COLOR\*: Natural





## SRP Series

Dimensions						Packaging				Caplug No.
A		B		C		Standard Carton		No. of Pieces	Mini Pak Quantity	
in	mm	in	mm	in	mm	Shipping Wt. (Approx.)				
						lbs	kgs			
.06	1.52	.125	3.18	.63	16.00	1	0.4	1000	200	SRP-125-10
.06	1.52	.187	4.75	.63	16.00	1	0.4	1000	200	SRP-187-10
.13	3.30	.250	6.35	.75	19.05	2	0.9	1000	200	SRP-250-12
.19	4.83	.343	8.71	.63	16.00	3	1.3	1000	100	SRP-343-10
.25	6.35	.375	9.53	.75	19.05	4	1.8	1000	100	SRP-375-12
.35	8.89	.472	11.99	.75	19.05	3	1.3	400	30	SRP-472-12
.39	9.91	.590	14.99	1.00	25.40	6	2.7	250	30	SRP-590-16
.51	12.95	.669	16.99	1.00	25.40	4	1.8	200	25	SRP-669-16
.55	13.97	.748	19.00	1.00	25.40	2	0.9	100	20	SRP-748-16
.63	16.00	.787	19.99	1.00	25.40	3	1.3	100	20	SRP-787-16
.71	18.03	.945	24.00	1.00	25.40	3	1.3	100	15	SRP-945-16
.79	20.07	1.024	26.00	1.00	25.40	3	1.3	100	15	SRP-1024-16
.91	23.11	1.063	27.00	1.00	25.40	4	1.8	100	15	SRP-1063-16
1.02	25.91	1.260	32.00	1.00	25.40	5	2.2	100	15	SRP-1260-16
1.18	29.97	1.456	36.98	1.00	25.40	3	1.3	50	10	SRP-1456-16H
1.30	33.02	1.614	40.99	1.00	25.40	4	1.8	50	N/A	SRP-1614-16H
1.46	37.08	1.772	45.00	1.00	25.40	4	1.8	50	N/A	SRP-1772-16H
1.65	41.91	1.968	49.98	1.00	25.40	3	1.3	25	N/A	SRP-1968-16H
1.89	48.00	2.205	56.00	1.00	25.40	3	1.3	25	N/A	SRP-2205-16H
2.13	54.10	2.520	64.00	1.00	25.40	4	1.8	25	N/A	SRP-2520-16H
2.28	57.91	2.677	67.99	1.00	25.40	4	1.8	25	N/A	SRP-2677-16H

## SPP Series

Dimensions						Packaging				Caplug No.
A		B		C		Standard Carton		No. of Pieces	Mini Pak Quantity	
in	mm	in	mm	in	mm	Shipping Wt. (Approx.)				
						lbs	kgs			
.06	1.52	.091	2.31	.62	15.75	2	0.9	1000	200	SPP-091-10
.06	1.52	.109	2.76	.62	15.75	3	1.3	1000	200	SPP-109-10
.08	2.03	.125	3.17	.62	15.75	2	0.9	500	100	SPP-125-10
.08	2.03	.130	3.30	.62	15.75	2	0.9	500	100	SPP-130-10
.08	2.03	.140	3.55	.62	15.75	2	0.9	500	100	SPP-140-10
.08	2.03	.156	3.96	.62	15.75	2	0.9	500	100	SPP-156-10
.11	2.79	.187	4.74	.62	15.75	2	0.9	500	100	SPP-187-10
.11	2.79	.197	5.00	.62	15.75	2	0.9	500	100	SPP-197-10
.13	3.30	.225	5.71	1.00	25.40	3	1.3	500	100	SPP-225-16
.13	3.30	.257	6.52	1.00	25.40	3	1.3	500	100	SPP-257-16
.14	3.56	.281	7.13	1.00	25.40	3	1.3	1000	200	SPP-281-16
.15	3.81	.312	7.92	1.00	25.40	2	0.9	200	40	SPP-312-16
.16	4.20	.335	8.50	1.00	25.40	2	0.9	200	40	SPP-335-16

## SH Series

Screw Size**	Dimensions						Packaging				Caplug No.
	A		B		C		Standard Carton		No. of Pieces	Mini Pak Quantity	
	in	mm	in	mm	in	mm	Shipping Wt. (Approx.)				
						lbs	kgs				
1/4	.198	5.03	.120	3.05	.50	12.70	3	1.3	5000	1000	SH-25
5/16	.260	6.60	.151	3.84	.59	14.99	2	0.9	5000	1000	SH-31
3/8	.322	8.18	.182	4.62	.69	17.53	5	2.2	5000	1000	SH-38
1/2	.385	9.78	.245	6.22	.88	22.35	5	2.2	5000	1000	SH-50

\*\* Socket headcap screw.