



PLUGS non-threaded

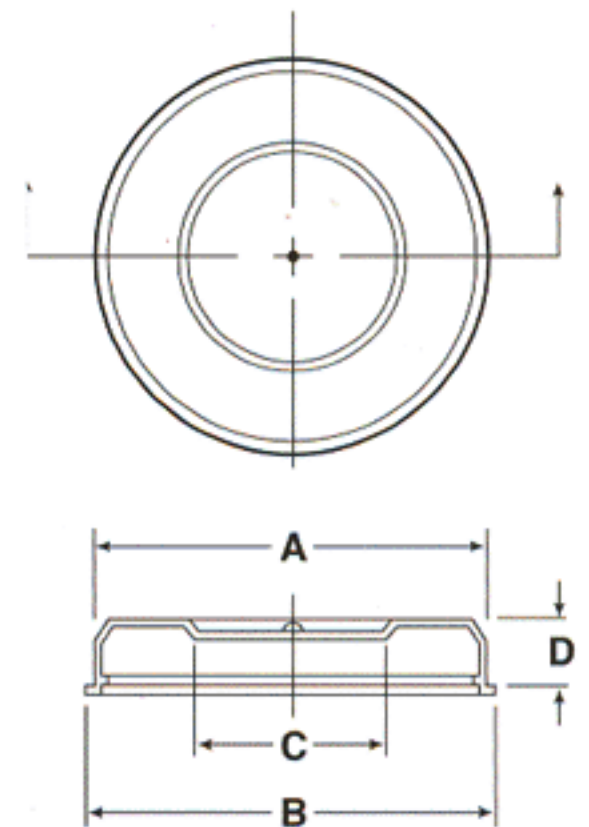
STP Series Shallow Tube Plugs For Packaging Tubes



Series STP Shallow Tube Plugs are an ideal closure for container tubes used for packaging, shipping or mailing. They are designed to fit snugly in the tube end. The narrow flange ensures that there is no over-hanging projection to catch on other tubes.



MATERIAL: Low Density Polyethylene
COLOR*: White



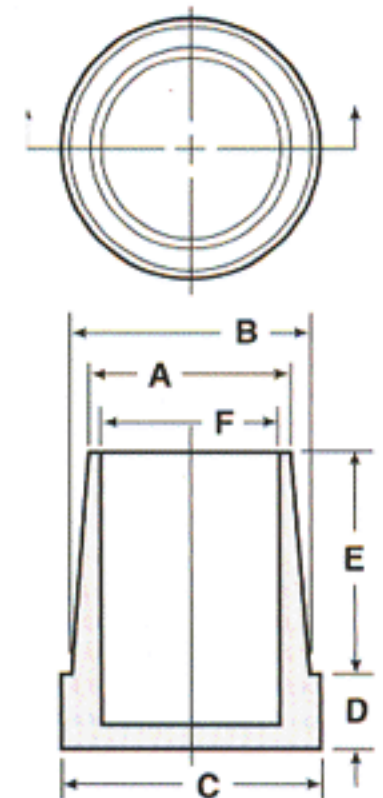
K Series Plugs For Round Tubing



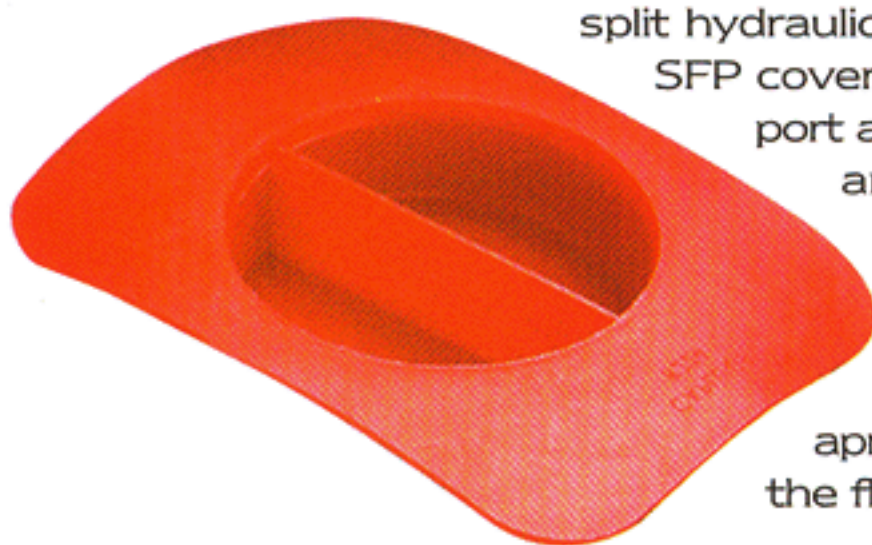
Series K Tubing Plugs are especially designed for applications where the outside diameter of the closure should not exceed the outside diameter of the tubing. Flanges fit flush with outer walls of tubing, providing positive protection against moisture and dirt. Especially suitable for general purpose, Type K copper tubing, SAE Standard, J-528.



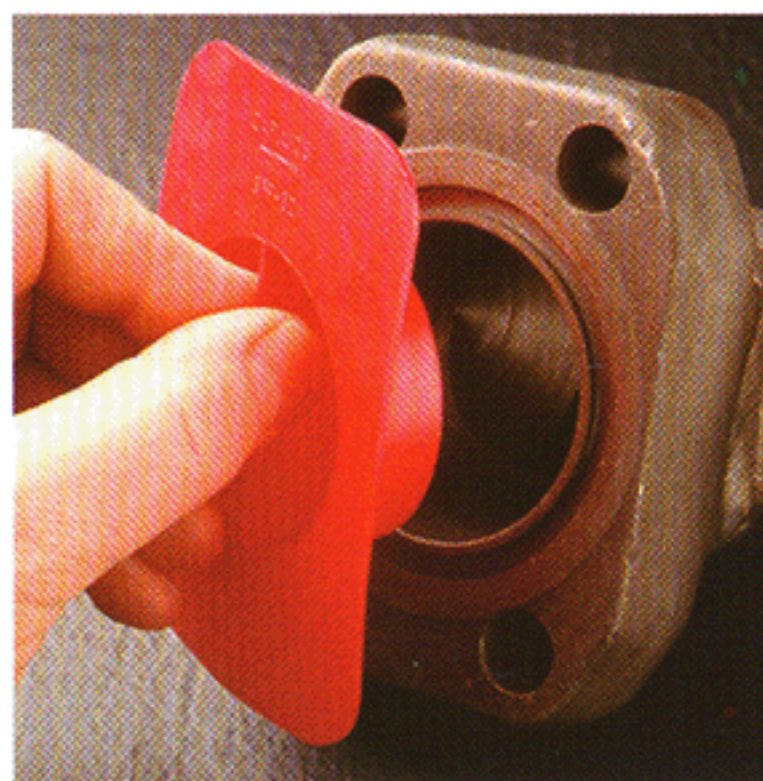
MATERIAL: Low Density Polyethylene
COLOR*: Red



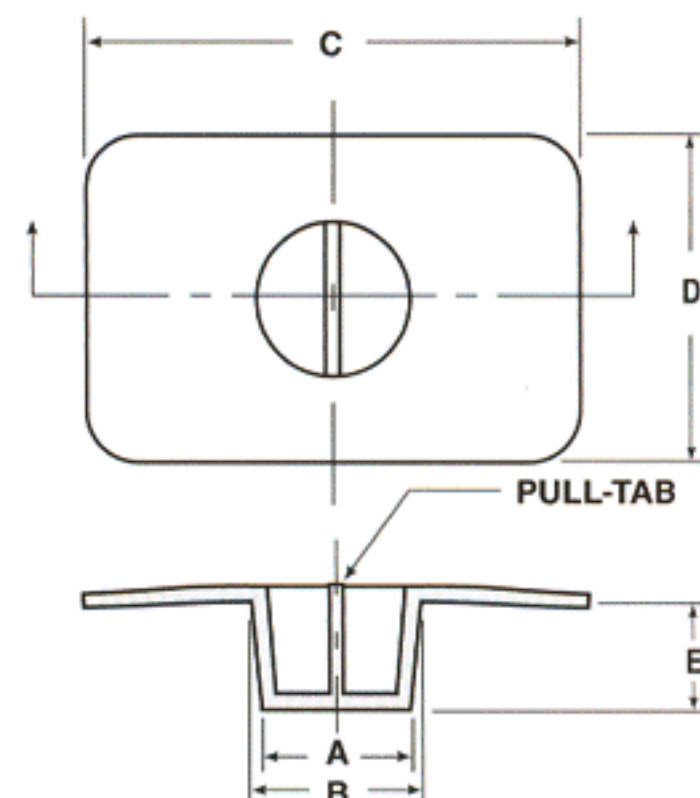
SFP Series Covers for Split-Flange Connections



Series SFP Covers are designed for use on SAE 3000 lb., four-bolt, split hydraulic flanges. The SFP cover protects the port and fits snugly and firmly into the opening with an integral surrounding apron protecting the flange surface.



MATERIAL: Low Density Polyethylene
COLOR*: Red





STP Series

Dimensions								Packaging				Caplug No.
A		B		C		D		Standard Carton		Mini Pak Quantity		
in	mm	in	mm	in	mm	in	mm	Shipping Wt.(Approx.) lbs	kgs		No. of Pieces	
1.52	38.61	1.62	41.15	1.00	25.40	.46	11.68	15	6.8	2500	500	STP-1-1/2
1.77	44.96	1.87	47.50	1.00	25.40	.46	11.68	17	7.6	2500	500	STP-1-3/4
2.03	51.56	2.12	53.85	1.50	38.10	.46	11.68	12	5.4	1000	200	STP-2
2.53	64.26	2.63	66.80	1.50	38.10	.46	11.68	15	6.8	1000	200	STP-2-1/2
2.78	70.61	2.88	73.15	1.50	38.10	.46	11.68	17	7.6	1000	200	STP-2-3/4
3.03	76.97	3.16	80.27	2.00	50.80	.46	11.68	16	7.2	750	150	STP-3
3.28	83.32	3.41	86.62	2.00	50.80	.46	11.68	12	5.4	500	100	STP-3-1/4
4.05	102.87	4.17	105.92	2.00	50.80	.45	11.43	18	8.1	500	100	STP-4
5.04	128.02	5.18	131.58	3.00	76.20	.48	12.19	15	6.8	250	50	STP-5
6.04	153.42	6.19	157.23	3.50	88.90	.48	12.19	8	3.6	100	20	STP-6
6.11	155.20	6.26	159.01	3.50	88.90	.57	14.48	10	4.5	100	20	STP-6-1/16

Specs.: MIL-C-5501/8

K Series

Will Plug SAE J-528 Tubing For O.D.s Listed	Dimensions												Packaging				Caplug No.
	A		B		C		D		E		F		Standard Carton		Mini Pak Quantity		
	in	mm	in	mm	in	mm	in	mm	in	mm	in	mm	Shipping Wt.(Approx.) lbs	kgs		No. of Pieces	
-	.160	4.06	-	-	.22	5.59	.12	3.05	.26	6.6	.10	2.64	2	0.9	5000	1000	K-2.5mm
3/16	.105	2.67	.138	3.51	.19	4.83	.19	4.83	.31	7.87	.07	1.78	2	0.9	5000	1000	K-3
1/4	.160	4.06	.202	5.13	.24	6.10	.14	3.56	.38	9.65	.13	3.30	3	1.3	5000	1000	K-4
5/16	.227	5.77	.272	6.91	.31	7.87	.14	3.56	.38	9.65	.20	5.08	3	1.3	5000	1000	K-5
3/8	.290	7.37	.340	8.64	.37	9.40	.16	4.06	.38	9.65	.26	6.60	4	1.8	5000	1000	K-6
1/2	.411	10.44	.466	11.84	.50	12.70	.16	4.06	.38	9.65	.38	9.65	7	3.1	5000	1000	K-8
5/8	.530	13.46	.587	14.91	.62	15.75	.19	4.83	.56	14.22	.50	12.70	11	4.9	5000	1000	K-10
3/4	.650	16.51	.712	18.09	.75	19.05	.19	4.83	.56	14.22	.62	15.75	14	6.3	5000	1000	K-12
-	.609	15.47	.664	16.87	.73	18.54	.38	9.65	.56	14.22	.58	14.73	20	9.0	5000	1000	K-12S

is for fiber optic connectors.

SFP Series

To Cover Flange Dash Size Inches	To Fit Flange Size	Dimensions										Packaging				Caplug No.
		A		B		C		D		E		Standard Carton		Mini Pak Quantity		
		in	mm	in	mm	in	mm	in	mm	in	mm	Shipping Wt.(Approx.) lbs	kgs		No. of Pieces	
-12	3/4	.73	18.54	.79	20.07	2.56	65.03	1.62	41.15	.50	12.70	17	7.6	2500	500	SFP-12
-16	1	.98	24.89	1.04	26.42	2.75	69.85	1.88	47.75	.50	12.70	23	10.3	1000	200	SFP-16
-20	1 1/4	1.23	31.24	1.29	32.77	3.12	79.25	2.00	50.80	.50	12.70	14	6.3	1000	200	SFP-20
-24	1 1/2	1.46	37.09	1.55	39.37	3.69	93.73	2.38	60.45	.75	12.70	13	5.8	500	100	SFP-24
-32	2	1.96	49.79	2.05	52.07	4.00	101.60	2.75	69.85	.75	12.70	15	6.8	500	100	SFP-32
-40	2 1/2	2.46	62.49	2.55	64.77	4.50	114.30	3.25	82.55	.75	12.70	10	4.5	250	50	SFP-40