



# PLUGS non-threaded

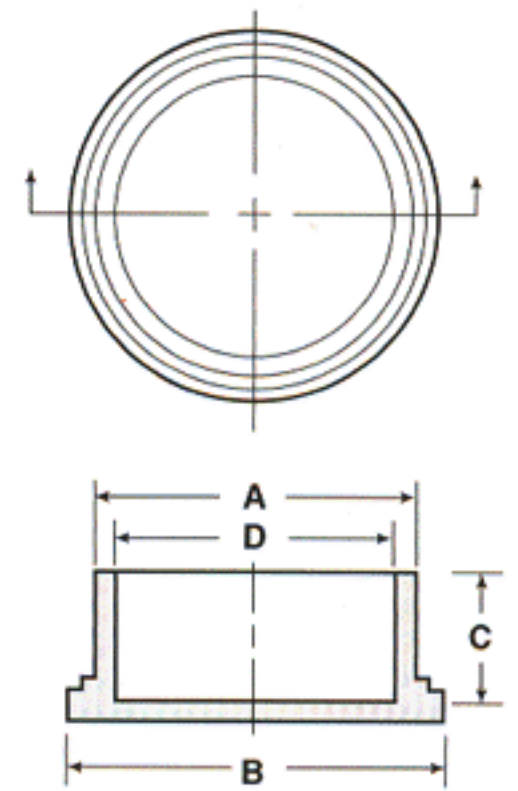
## EP Series Plugs for Threaded Connectors



Made to serve as dust and protective closures for threaded connectors, Series EP Plugs are designed for easy application and removal in areas not readily accessible. They can be installed to fit threaded or smooth cylindrical surfaces.



**MATERIAL:** Low Density Polyethylene  
**COLOR\*:** Yellow



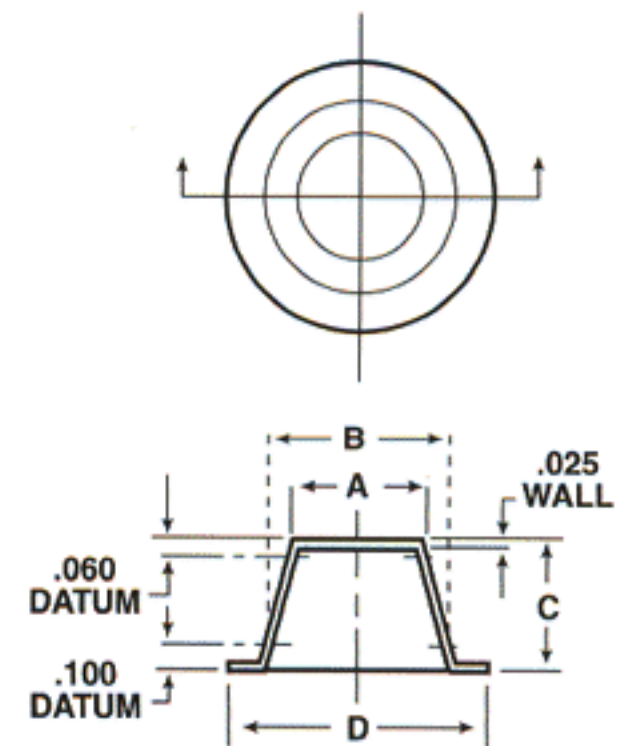
## PTP Series Tapered Paper Plugs



Manufactured from natural paper which is 100% recyclable, PTP Series Paper Plugs are the answer for applications requiring "environmentally-friendly" components. The special paper used in the manufacture of Paper Capplugs is formulated from a blend of 90% virgin pulp and 10% post-consumer recycled paper. These closures will withstand temperatures up to 400°F (204°C), making them ideal for high-temperature applications which may degrade typical plastic plugs. The flexibility and tapered design of the PTP Series allow quick, easy installation and removal.

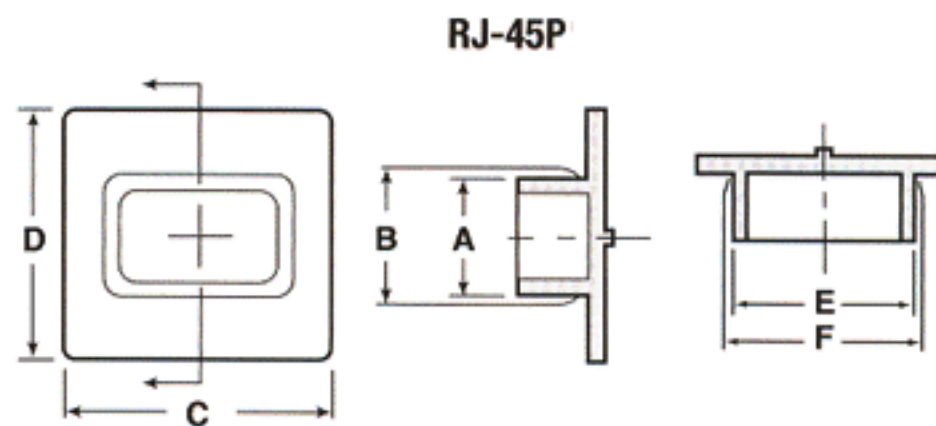
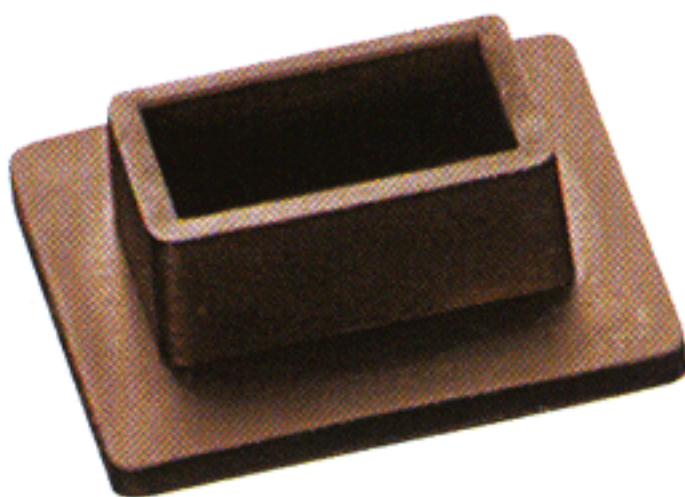


**MATERIAL:** 90 lb. Paperboard  
**COLOR:** Natural



## RJ Series Telephone Jack Plug

Contact factory for information on black conductive polyethylene plugs for protecting RJ telephone-type connecting jacks on computers.



**MATERIAL:** Conductive Polyethylene  
**COLOR:** Black

# non-threaded PLUGS



Specs.: MS-90376, NAS-820, NAS-837

## EP Series

To Fit Thread Size	Dimensions								Packaging				Caplug No.
	A		B		C		D		Standard Carton		Mini Pak Quantity		
	in	mm	in	mm	in	mm	in	mm	Shipping Wt. (Approx.) lbs	kgs		No. of Pieces	
1/2-28	0.483	12.27	0.67	17.02	.63	16.00	0.41	10.41	10	4.5	5000	1000	EP-8
5/8-24	0.595	15.11	0.75	19.05	.63	16.00	0.53	13.46	11	4.9	5000	1000	EP-10
3/4-20	0.715	18.16	0.86	21.84	.63	16.00	0.66	16.76	17	7.6	5000	1000	EP-12
7/8-20	0.845	21.46	1.03	26.16	.63	16.00	0.79	20.07	20	9	5000	1000	EP-14
1-20	0.963	24.46	1.12	28.45	.63	16.00	0.89	22.61	11	4.9	2500	500	EP-16
1 1/8-18	1.088	27.64	1.25	31.75	.63	16.00	1.03	26.16	13	5.8	2500	500	EP-18
1 1/4-18	1.215	30.86	1.40	35.56	.63	16.00	1.15	29.21	14	6.3	2500	500	EP-20
1 3/8-18	1.340	34.04	1.50	38.10	.63	16.00	1.27	32.26	16	7.2	2500	500	EP-22
1 1/2-18	1.460	37.08	1.64	41.66	.55	13.97	1.39	35.31	8	3.6	1000	200	EP-24
1 5/8-16	1.580	40.13	1.81	45.98	.63	16.00	1.54	39.12	10	4.5	1000	200	EP-25
1 3/4-18	1.718	43.64	1.87	47.49	.63	16.00	1.65	42.67	11	4.9	1000	200	EP-28
2-18	1.970	50.04	2.13	54.10	.63	16.00	1.89	48.01	12	5.4	1000	200	EP-32
2 1/4-16	2.210	56.13	2.34	59.44	.63	16.00	2.14	54.36	15	6.8	1000	200	EP-36
2 1/2-16	2.450	62.23	2.60	66.04	.63	16.00	2.38	60.45	18	8.1	1000	200	EP-40

## PTP Series

To Fit Inside Diameter	Dimensions								Packaging				Caplug No.
	A		B		C		D		Standard Carton		Mini Pak Quantity		
	in	mm	in	mm	in	mm	in	mm	Shipping Wt. (Approx.) lbs	kgs		No. of Pieces	
1/8	.344	8.74	.418	10.62	.39	9.91	.5	12.70	17	7.6	30000	1000	PTP-18-3
1/4	.451	11.46	.502	12.75	.39	9.91	.67	17.02	13	5.9	18000	1000	PTP-14-3
3/8	.584	14.83	.738	18.75	.53	13.46	.87	22.10	19	8.6	16000	1000	PTP-38-3
1/2	.702	17.83	.896	22.76	.54	13.72	1.09	27.69	17	7.7	10500	1000	PTP-12-3
3/4	.921	23.39	1.124	28.55	.56	14.22	1.34	34.04	14	6.4	6200	1000	PTP-34-3
1	1.175	29.85	1.471	37.36	.63	16.00	1.79	45.47	17	7.7	5000	1000	PTP-100-3
1 1/4	1.504	38.20	1.863	47.32	.69	17.53	2.21	56.14	15	6.8	3000	600	PTP-114-3
1 1/2	1.717	43.61	2.096	53.24	.67	17.02	2.43	61.72	15	6.8	2700	540	PTP-112-3
2	2.198	55.83	2.485	63.12	.70	17.78	2.79	70.87	14	6.4	1800	360	PTP-200-3
2 1/2	2.628	66.75	3.188	80.98	.69	17.53	3.68	93.48	14	6.4	1300	260	PTP-212-3
3	3.145	79.89	3.772	95.81	.70	17.78	4.28	108.72	14	6.4	1000	200	PTP-300-3

## RJ Series

in	Dimensions										Packaging				Caplug No.	
	A		B		C		D		E		F		Standard Carton			
	mm	in	mm	in	mm	in	mm	in	mm	in	mm	Shipping Wt. (Approx.) lbs	kgs	No. of Pieces		Mini Pak Quantity
0.27	6.86	0.28	7.11	0.62	15.75	0.57	14.48	0.435	11.05	0.445	11.30	4	1.8	2500	500	RJ-45P