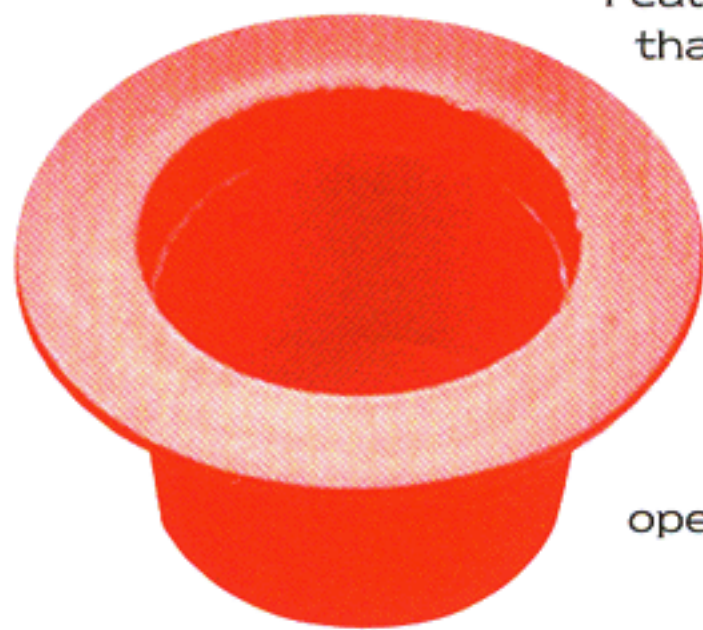


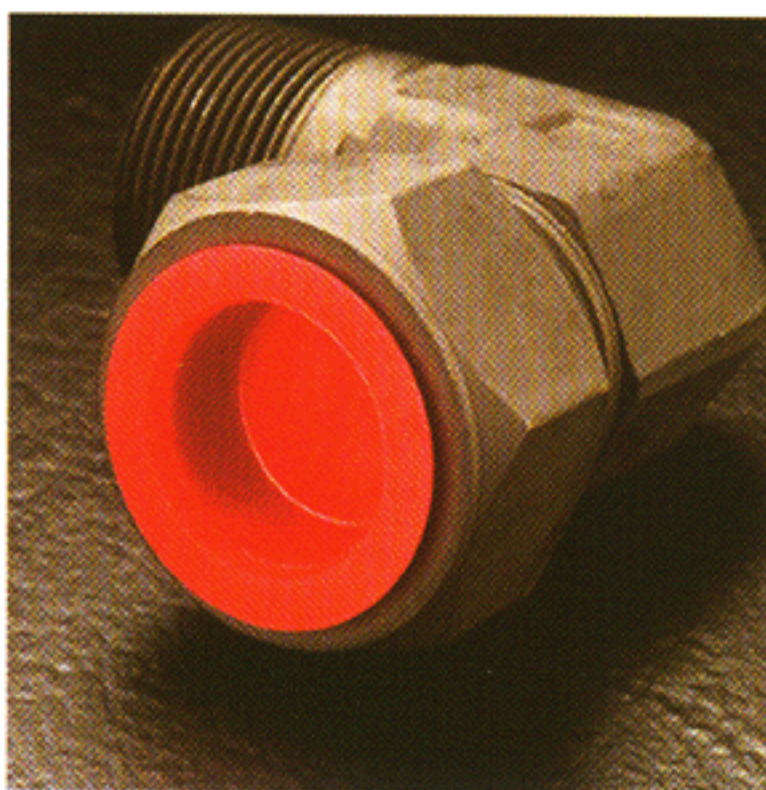


PLUGS non-threaded

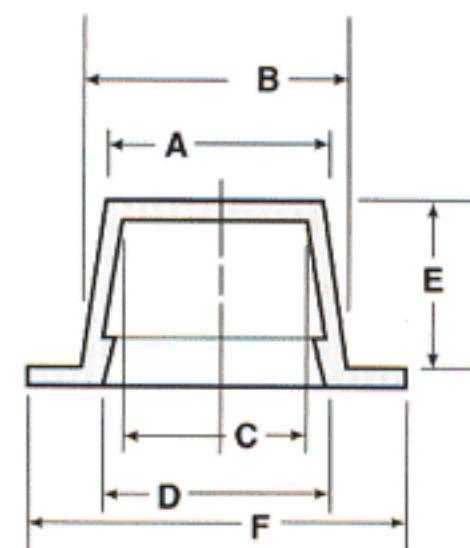
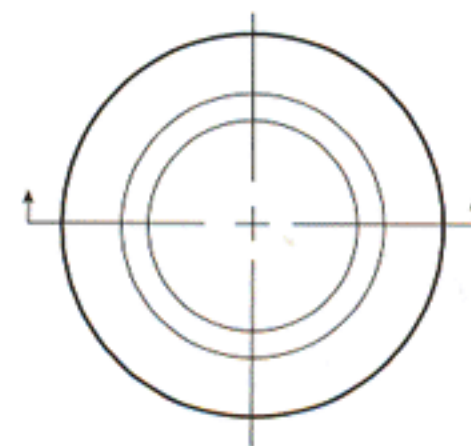
W Series Tapered Plugs with Wide Flanges



Featuring a wider flange than standard Tapered Plugs, the Series W offers added protection for bearing surfaces, and cannot be accidentally pushed all the way into or through an opening being plugged.



MATERIAL: Low Density Polyethylene
COLOR*: Red



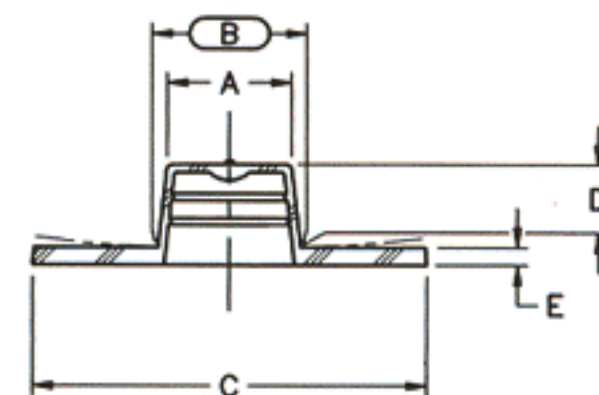
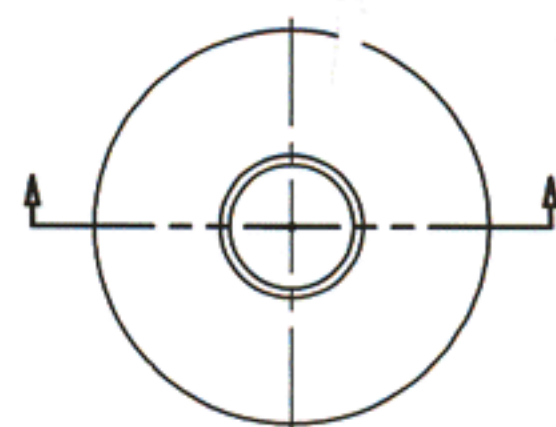
WWX Series Tapered Plugs with Extra-Wide, Extra-Thick Flanges



Accepted by the aircraft industry, Series WWX has an extra-wide flange providing extended visibility. This dummy-proof design prevents the mating component from being installed without first removing the plug. Available in thirteen sizes, this versatile part may easily be used as a cap or plug depending on application.



MATERIAL: Low Density Polyethylene
COLOR*: Yellow



non-threaded PLUGS



WHEN PLUGGING
"B" Dim. must be at least 1% larger than hole to be plugged. Minimum .020".

W Series

Dimensions												Packaging				Caplug No.
A		B		C		D		E		F		Standard Carton		Mini Pak Quantity		
in	mm	in	mm	in	mm	in	mm	in	mm	in	mm	Shipping Wt.(Approx.) lbs	kgs		No. of Pieces	
.173	4.39	.240	6.10	.111	2.82	.177	4.50	.38	9.65	.56	14.22	3	1.3	5000	1000	W-0
.240	6.10	.315	8.00	.183	4.65	.245	6.22	.36	9.14	.62	15.75	4	1.8	5000	1000	W-1
.302	7.67	.375	9.53	.240	6.10	.303	7.70	.38	9.65	.69	17.53	5	2.2	5000	1000	W-2
.360	9.14	.425	10.80	.298	7.57	.363	9.22	.38	9.65	.75	19.05	6	2.7	5000	1000	W-3
.425	10.80	.480	12.19	.363	9.22	.418	10.62	.38	9.65	.81	20.57	7	3.1	5000	1000	W-4
.472	11.99	.540	13.72	.410	10.41	.478	12.14	.44	11.18	.88	22.35	8	3.6	5000	1000	W-5
.536	13.61	.615	15.62	.474	12.04	.553	14.05	.44	11.18	.94	23.88	10	4.5	5000	1000	W-6
.590	14.99	.670	17.02	.528	13.41	.608	15.44	.50	12.70	1.00	25.40	11	4.9	5000	1000	W-7
.643	16.33	.726	18.44	.581	14.76	.662	16.82	.50	12.70	1.03	26.16	12	5.4	5000	1000	W-8
.683	17.35	.785	19.94	.621	15.77	.723	18.36	.53	13.46	1.13	28.70	14	6.3	5000	1000	W-9
.765	19.43	.865	21.97	.703	17.86	.803	20.40	.56	14.22	1.19	30.23	15	6.8	5000	1000	W-10
.820	20.83	.930	23.62	.758	19.25	.868	22.05	.59	14.99	1.25	31.75	18	8.1	5000	1000	W-11
.872	22.15	.977	24.82	.810	20.57	.916	23.27	.59	14.99	1.31	33.28	11	4.9	2500	500	W-12
.975	24.77	1.104	28.04	.913	23.19	1.042	26.47	.72	18.29	1.44	36.58	14	6.3	2500	500	W-13
1.158	29.41	1.275	32.39	1.096	27.84	1.213	30.81	.72	18.29	1.56	39.63	15	6.8	2500	500	W-14
1.175	29.85	1.284	32.61	1.120	28.45	1.229	31.22	.63	16.00	1.67	42.42	14	6.3	2500	500	W-14X
1.243	31.57	1.375	34.93	1.181	30.00	1.313	33.35	.72	18.29	1.69	42.93	17	7.6	2500	500	W-15
1.312	33.33	1.475	37.47	1.250	31.75	1.413	35.89	.88	22.35	1.81	45.98	9	4.0	1000	200	W-16
1.455	36.96	1.615	41.02	1.393	35.38	1.553	39.45	.72	18.29	1.94	49.28	9	4.0	1000	200	W-17
1.575	40.01	1.685	42.80	1.513	38.43	1.623	41.23	.69	17.53	2.00	50.80	10	4.5	1000	200	W-18
1.735	44.07	1.900	48.26	1.673	42.50	1.838	46.69	.72	18.29	2.22	56.39	12	5.4	1000	200	W-19
1.810	45.98	1.950	49.53	1.748	44.40	1.888	47.96	.69	17.53	2.31	58.68	13	5.8	1000	200	W-20
1.945	49.40	2.100	53.34	1.883	47.83	2.038	51.77	.69	17.53	2.44	61.98	14	6.3	1000	200	W-21

WWX Series

Dimensions										Packaging				Caplug No.
A		B		C		D		Shipping Wt. (Approx.)		No. of Pieces	Mini Pak Quantity			
in	mm	in	mm	in	mm	in	mm	lbs	kgs					
0.628	15.950	0.725	18.42	2.23	56.64	0.44	11.18	14	6.4	1000	200	WWX-8		
0.755	19.180	0.870	22.10	2.37	60.20	0.50	12.70	15	6.8	1000	200	WWX-10		
0.867	22.020	0.975	24.77	2.48	62.99	0.56	14.22	16	7.3	1000	200	WWX-12		
0.984	24.990	1.105	28.07	2.61	66.29	0.66	16.76	18	8.2	1000	200	WWX-13		
1.110	28.200	1.253	31.83	2.73	69.34	0.66	16.76	11	5.0	500	100	WWX-14		
1.237	31.420	1.382	35.10	2.88	73.15	0.66	16.76	18	8.2	800	160	WWX-15		
1.312	33.320	1.465	37.21	2.97	75.44	0.66	16.76	19	8.6	800	160	WWX-16		
1.452	36.880	1.603	40.72	3.10	78.74	0.66	16.76	18	8.2	700	140	WWX-17		
1.580	40.130	1.714	43.54	3.21	81.53	0.66	16.76	19	8.6	700	140	WWX-18		
1.927	48.950	2.058	52.27	3.56	90.42	0.66	16.76	19	8.6	600	120	WWX-21		
2.120	53.850	2.290	58.17	3.79	96.27	1.00	25.40	12	5.4	300	60	WWX-230		
2.395	60.830	2.602	66.09	4.10	104.14	1.13	28.70	10	4.5	200	40	WWX-250		
2.638	67.010	2.795	70.99	4.26	108.20	1.13	28.70	11	5.0	200	40	WWX-44		