



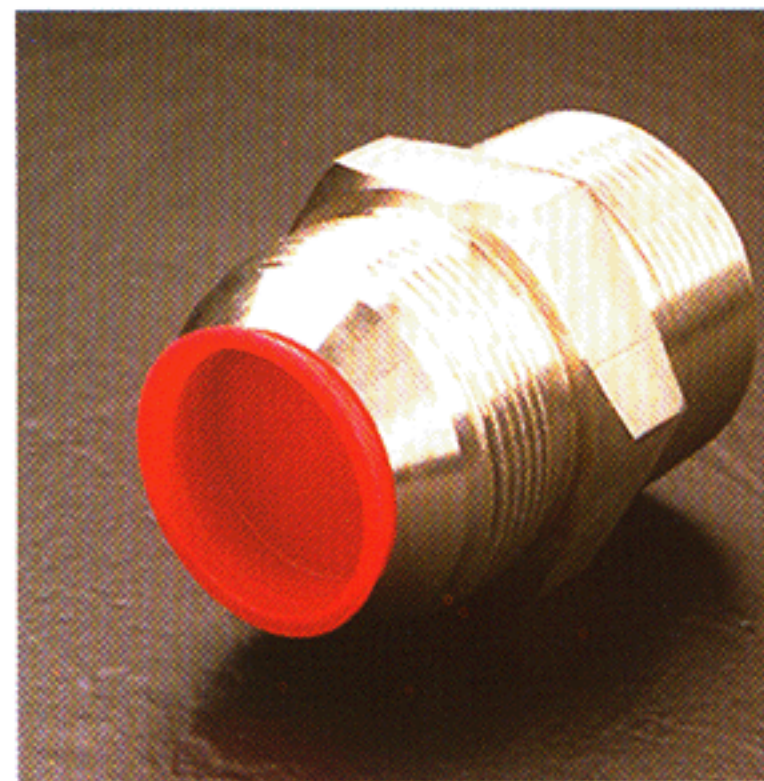
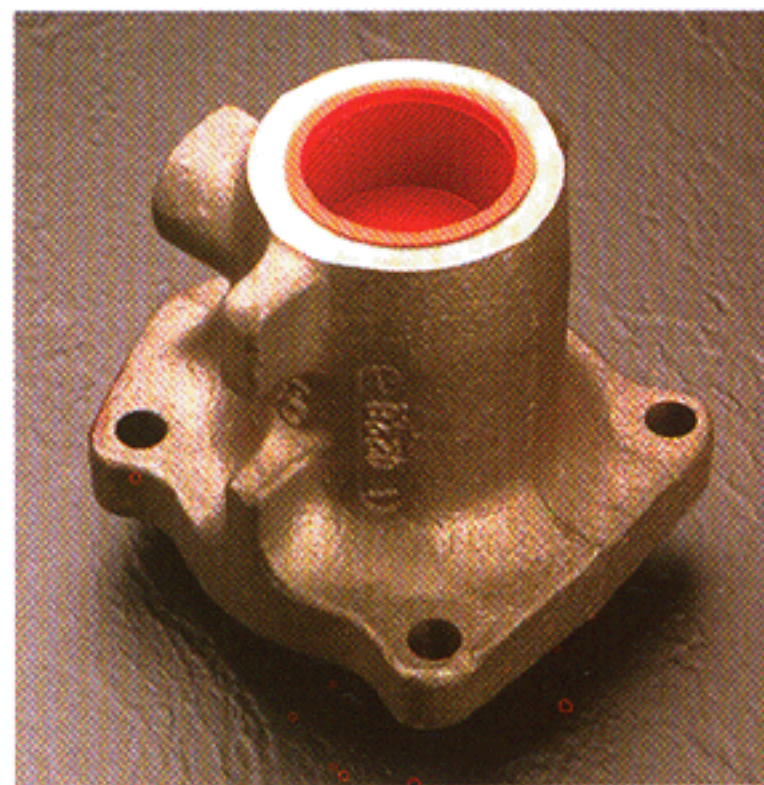
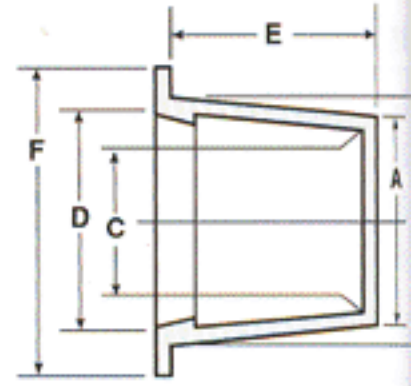
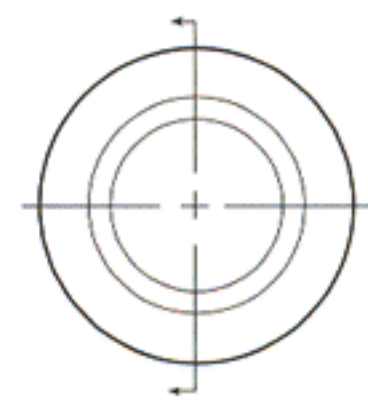
# PLUGS non-threaded

## T Series Tapered Plugs

Tapered Plugs are tapered in design and made from highly pliable (or flexible) polyethylene.

Not only can they be applied to fit snugly, but they can also be easily removed. Especially recommended for use on MIL Std. and SAE-type tube and hydraulic fittings and for threaded external and internal NPT fittings.

Popular size Tapered Plugs are stocked also in green FlexTemp, a flexible thermoplastic rubber for extreme temperature applications ranging from  $-90^{\circ}\text{F}$  to  $300^{\circ}\text{F}$  ( $-68^{\circ}\text{C}$  to  $149^{\circ}\text{C}$ ).



**MATERIAL:** Low Density Polyethylene  
**COLOR\*:** Red

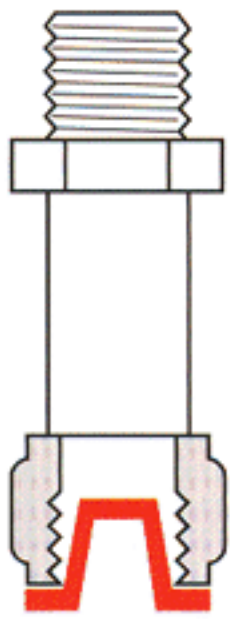


## T Series

Applicable Specs.: MIL-C-5501/7 (MIL-C-52078), NAS-834

### Selection Charts

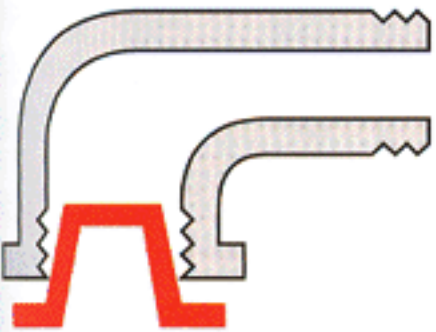
#### Recommended closures for tube and hydraulic fittings\*\*



| Caplug No. | Fitting Size (Dash No.) | Outside Diameter | Thread Size | Caplug No. |
|------------|-------------------------|------------------|-------------|------------|
| T-1        | -2                      | 1/8              | 5/16 - 24   | T-1        |
| T-2        | -3                      | 3/16             | 3/8 - 24    | T-2        |
| T-3        | -4                      | 1/4              | 7/16 - 20   | T-3        |
| T-4        | -5                      | 5/16             | 1/2 - 20    | T-4        |
| T-5        | -6                      | 3/8              | 9/16 - 18   | T-5        |
| T-6        | -                       | 3/8              | 5/8 - 18    | T-6        |
| T-8        | -8                      | 1/2              | 3/4 - 16    | T-8        |
| T-10       | -10                     | 5/8              | 7/8 - 14    | T-10       |
| T-12X      | -12                     | 3/4              | 1 1/16 - 12 | T-12X      |
| T-14X      | -16                     | 1                | 1 5/16 - 12 | T-14X      |
| T-17-S     | -20                     | 1 1/4            | 1 5/8 - 12  | T-17-S     |
| T-19       | -24                     | 1 1/2            | 1 7/8 - 12  | T-19       |
| T-221      | -28                     | 1 3/4            | 2 1/4 - 12  | T-221      |
| T-240      | -32                     | 2                | 2 1/2 - 12  | T-240      |

#### Recommended closures for threaded internal NPT fittings\*\*\*

Based on average tapped hole fit. It is suggested that sample plugs be tried for size before ordering in quantity.



| Caplug No. | NPT Size | Caplug No. |
|------------|----------|------------|
| T-2X       | 1/8      | T-2X       |
| T-4        | 1/4      | T-4        |
| T-6X       | 3/8      | T-6X       |
| T-9        | 1/2      | T-9        |
| T-12X      | 3/4      | T-12X      |
| T-14       | 1        | T-14       |
| T-17-S     | 1 1/4    | T-17-S     |
| T-20-S     | 1 1/2    | T-20-S     |
| T-24-S     | 2        | T-24-S     |
| T-44       | 2 1/2    | T-44       |
| T-501      | 3        | T-501      |
| T-502      | 3 1/2    | T-502      |
| T-1070     | 4        | T-1070     |
| T-1086     | 5        | T-1086     |
| T-1103     | 6        | T-1103     |

#### Recommended closures for unthreaded standard weight pipe\*\*



| Caplug No. | Size  | Caplug No. |
|------------|-------|------------|
| T-1        | 1/8   | T-1        |
| T-2X       | 1/4   | T-2X       |
| T-5        | 3/8   | T-5        |
| T-7        | 1/2   | T-7        |
| T-10       | 3/4   | T-10       |
| T-13       | 1     | T-13       |
| T-16       | 1 1/4 | T-16       |
| T-18       | 1 1/2 | T-18       |
| T-220      | 2     | T-220      |
| T-250      | 2 1/2 | T-250      |
| T-53       | 3     | T-53       |
| T-1050     | 3 1/2 | T-1050     |
| T-1064     | 4     | T-1064     |
| T-1080     | 6     | T-1080     |
| T-1097     | 8     | T-1097     |

\*\*For other tapered style plugs see:

| Series | Pages   |
|--------|---------|
| WW     | 84-85   |
| W      | 86-87   |
| WWX    | 86-87   |
| SRP    | 94-95   |
| PTP    | 88-89   |
| L      | 90-91   |
| CPT    | 90-91   |
| VTP    | 104-105 |
| TP     | 104-105 |

\*\*\*For threaded plugs see:

| Series | Pages   | Series | Pages   |
|--------|---------|--------|---------|
| PDF    | 110-111 | PDI    | 108-109 |
| AFO    | 112-113 | ADP    | 112-113 |
| PD     | 110-111 | PDO    | 108-109 |
| ASP    | 112-113 | PDE    | 108-109 |
| RP     | 114-115 | P      | 106-107 |
| MSP    | 110-111 | RPO    | 114-115 |
| BSP    | 112-113 | RPO-M  | 114-115 |



