



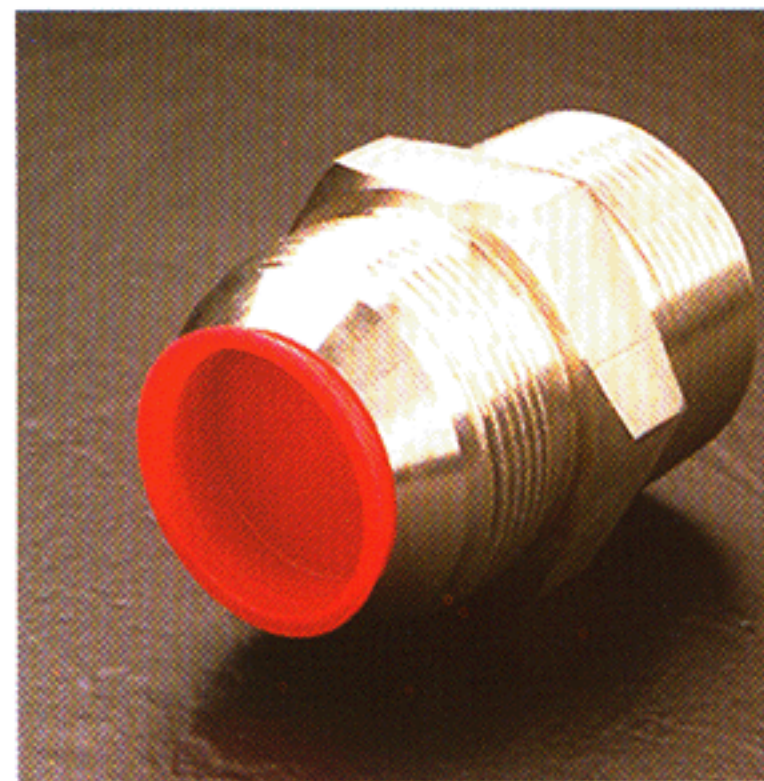
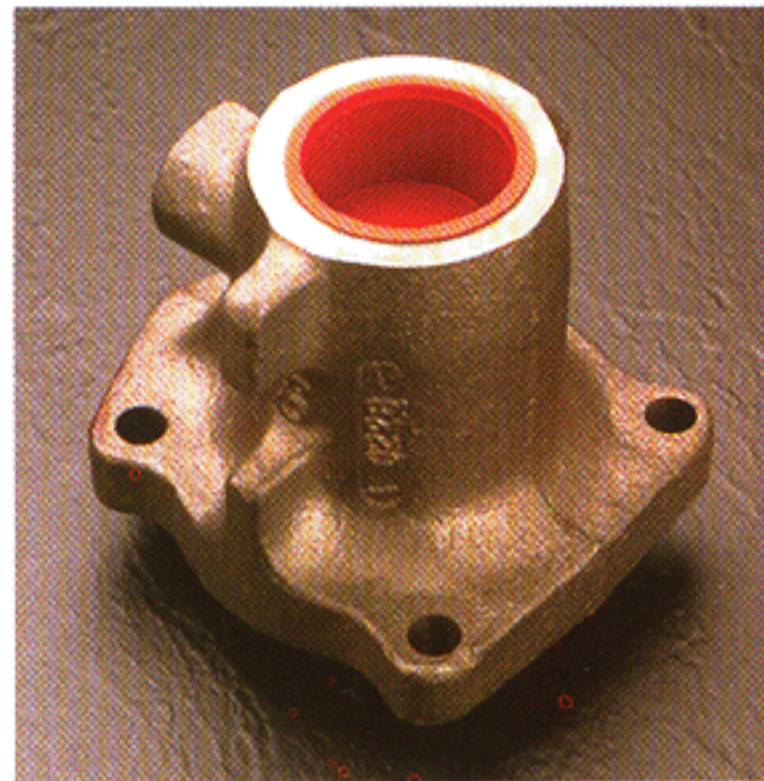
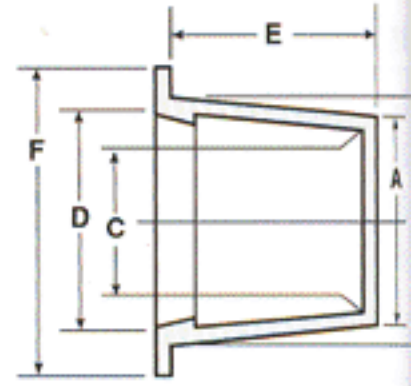
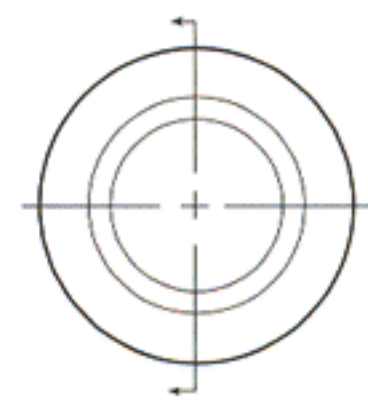
# PLUGS non-threaded

## T Series Tapered Plugs

Tapered Plugs are tapered in design and made from highly pliable (or flexible) polyethylene.

Not only can they be applied to fit snugly, but they can also be easily removed. Especially recommended for use on MIL Std. and SAE-type tube and hydraulic fittings and for threaded external and internal NPT fittings.

Popular size Tapered Plugs are stocked also in green FlexTemp, a flexible thermoplastic rubber for extreme temperature applications ranging from  $-90^{\circ}\text{F}$  to  $300^{\circ}\text{F}$  ( $-68^{\circ}\text{C}$  to  $149^{\circ}\text{C}$ ).



**MATERIAL:** Low Density Polyethylene  
**COLOR\*:** Red



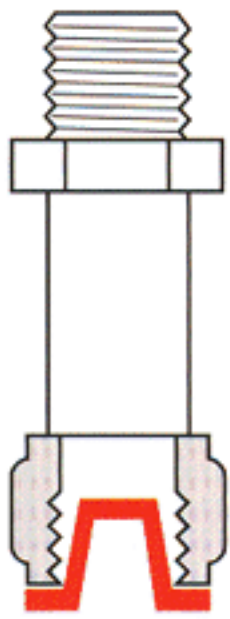


## T Series

Applicable Specs.: MIL-C-5501/7 (MIL-C-52078), NAS-834

### Selection Charts

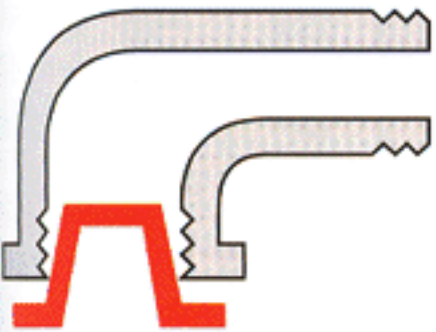
#### Recommended closures for tube and hydraulic fittings\*\*



| Caplug No. | Fitting Size (Dash No.) | Outside Diameter | Thread Size | Caplug No. |
|------------|-------------------------|------------------|-------------|------------|
| T-1        | -2                      | 1/8              | 5/16 - 24   | T-1        |
| T-2        | -3                      | 3/16             | 3/8 - 24    | T-2        |
| T-3        | -4                      | 1/4              | 7/16 - 20   | T-3        |
| T-4        | -5                      | 5/16             | 1/2 - 20    | T-4        |
| T-5        | -6                      | 3/8              | 9/16 - 18   | T-5        |
| T-6        | -                       | 3/8              | 5/8 - 18    | T-6        |
| T-8        | -8                      | 1/2              | 3/4 - 16    | T-8        |
| T-10       | -10                     | 5/8              | 7/8 - 14    | T-10       |
| T-12X      | -12                     | 3/4              | 1 1/16 - 12 | T-12X      |
| T-14X      | -16                     | 1                | 1 5/16 - 12 | T-14X      |
| T-17-S     | -20                     | 1 1/4            | 1 5/8 - 12  | T-17-S     |
| T-19       | -24                     | 1 1/2            | 1 7/8 - 12  | T-19       |
| T-221      | -28                     | 1 3/4            | 2 1/4 - 12  | T-221      |
| T-240      | -32                     | 2                | 2 1/2 - 12  | T-240      |

#### Recommended closures for threaded internal NPT fittings\*\*\*

Based on average tapped hole fit. It is suggested that sample plugs be tried for size before ordering in quantity.



| Caplug No. | NPT Size | Caplug No. |
|------------|----------|------------|
| T-2X       | 1/8      | T-2X       |
| T-4        | 1/4      | T-4        |
| T-6X       | 3/8      | T-6X       |
| T-9        | 1/2      | T-9        |
| T-12X      | 3/4      | T-12X      |
| T-14       | 1        | T-14       |
| T-17-S     | 1 1/4    | T-17-S     |
| T-20-S     | 1 1/2    | T-20-S     |
| T-24-S     | 2        | T-24-S     |
| T-44       | 2 1/2    | T-44       |
| T-501      | 3        | T-501      |
| T-502      | 3 1/2    | T-502      |
| T-1070     | 4        | T-1070     |
| T-1086     | 5        | T-1086     |
| T-1103     | 6        | T-1103     |

#### Recommended closures for unthreaded standard weight pipe\*\*



| Caplug No. | Size  | Caplug No. |
|------------|-------|------------|
| T-1        | 1/8   | T-1        |
| T-2X       | 1/4   | T-2X       |
| T-5        | 3/8   | T-5        |
| T-7        | 1/2   | T-7        |
| T-10       | 3/4   | T-10       |
| T-13       | 1     | T-13       |
| T-16       | 1 1/4 | T-16       |
| T-18       | 1 1/2 | T-18       |
| T-220      | 2     | T-220      |
| T-250      | 2 1/2 | T-250      |
| T-53       | 3     | T-53       |
| T-1050     | 3 1/2 | T-1050     |
| T-1064     | 4     | T-1064     |
| T-1080     | 6     | T-1080     |
| T-1097     | 8     | T-1097     |

\*\*For other tapered style plugs see:

| Series | Pages   |
|--------|---------|
| WW     | 84-85   |
| W      | 86-87   |
| WWX    | 86-87   |
| SRP    | 94-95   |
| PTP    | 88-89   |
| L      | 90-91   |
| CPT    | 90-91   |
| VTP    | 104-105 |
| TP     | 104-105 |

\*\*\*For threaded plugs see:

| Series | Pages   | Series | Pages   |
|--------|---------|--------|---------|
| PDF    | 110-111 | PDI    | 108-109 |
| AFO    | 112-113 | ADP    | 112-113 |
| PD     | 110-111 | PDO    | 108-109 |
| ASP    | 112-113 | PDE    | 108-109 |
| RP     | 114-115 | P      | 106-107 |
| MSP    | 110-111 | RPO    | 114-115 |
| BSP    | 112-113 | RPO-M  | 114-115 |

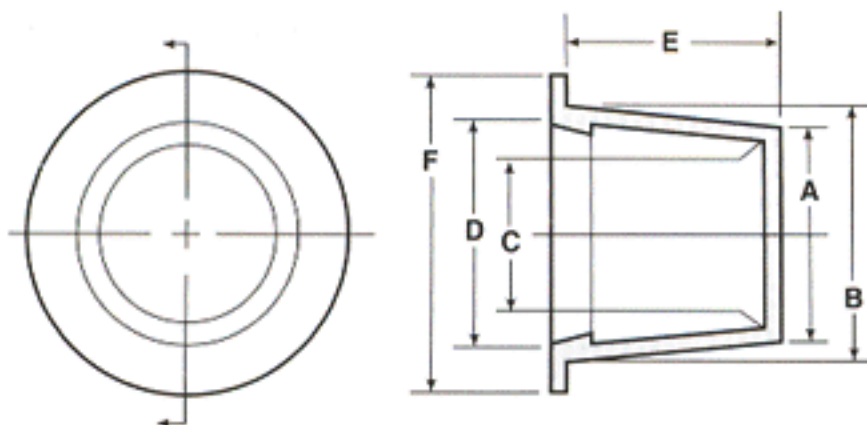




# PLUGS non-threaded

## T Series Tapered Plugs (cont'd)

| Caplug No.    | Dimensions |       |       |       |       |       |       |       |      |       |      |       | Packaging                    |     |                   |               |
|---------------|------------|-------|-------|-------|-------|-------|-------|-------|------|-------|------|-------|------------------------------|-----|-------------------|---------------|
|               | A          |       | B     |       | C     |       | D     |       | E    |       | F    |       | Standard Carton              |     | Mini Pak Quantity |               |
|               | in         | mm    | in    | mm    | in    | mm    | in    | mm    | in   | mm    | in   | mm    | Shipping Wt.(Approx.)<br>lbs | kgs |                   | No. of Pieces |
| <i>T-00</i>   | .116       | 2.95  | .182  | 4.62  | .053  | 1.35  | .120  | 3.05  | .38  | 9.65  | .31  | 7.87  | 2                            | 0.9 | 5000              | 1000          |
| <i>T-00-S</i> | .140       | 3.56  | .180  | 4.57  | .088  | 2.24  | .109  | 2.77  | .22  | 5.59  | .31  | 7.87  | 4                            | 1.8 | 5000              | 1000          |
| <i>T-00-X</i> | .145       | 3.68  | .205  | 5.21  | .079  | 2.01  | .150  | 3.81  | .38  | 9.65  | .41  | 10.41 | 3                            | 1.3 | 5000              | 1000          |
| <i>T-0</i>    | .173       | 4.39  | .240  | 6.10  | .111  | 2.82  | .177  | 4.50  | .38  | 9.65  | .38  | 9.65  | 3                            | 1.3 | 5000              | 1000          |
| <i>T-1</i>    | .236       | 5.99  | .302  | 7.67  | .174  | 4.42  | .240  | 6.10  | .38  | 9.65  | .44  | 11.18 | 3                            | 1.3 | 5000              | 1000          |
| <i>T-1-X</i>  | .267       | 6.78  | .335  | 8.51  | .205  | 5.21  | .273  | 6.93  | .38  | 9.65  | .47  | 11.94 | 4                            | 1.8 | 5000              | 1000          |
| <i>T-2</i>    | .299       | 7.59  | .365  | 9.27  | .235  | 5.97  | .302  | 7.67  | .38  | 9.65  | .50  | 12.70 | 4                            | 1.8 | 5000              | 1000          |
| <i>T-2-S</i>  | .325       | 8.26  | .367  | 9.32  | .263  | 6.68  | .305  | 7.75  | .19  | 4.83  | .50  | 12.70 | 3                            | 1.3 | 5000              | 1000          |
| <i>T-2-X</i>  | .330       | 8.38  | .396  | 10.06 | .267  | 6.78  | .333  | 8.46  | .38  | 9.65  | .53  | 13.46 | 4                            | 1.8 | 5000              | 1000          |
| <i>T-3</i>    | .361       | 9.17  | .427  | 10.85 | .298  | 7.57  | .365  | 9.27  | .38  | 9.65  | .56  | 14.22 | 5                            | 2.2 | 5000              | 1000          |
| <i>T-3-X</i>  | .390       | 9.91  | .456  | 11.58 | .327  | 8.31  | .394  | 10.01 | .38  | 9.65  | .59  | 14.99 | 6                            | 2.7 | 5000              | 1000          |
| <i>T-4</i>    | .419       | 10.64 | .485  | 12.32 | .356  | 9.04  | .422  | 10.72 | .38  | 9.65  | .63  | 16.00 | 6                            | 2.7 | 5000              | 1000          |
| <i>T-4-X</i>  | .447       | 11.35 | .513  | 13.03 | .385  | 9.78  | .451  | 11.46 | .38  | 9.65  | .66  | 16.76 | 6                            | 2.7 | 5000              | 1000          |
| <i>T-5</i>    | .471       | 11.96 | .547  | 13.89 | .409  | 10.39 | .485  | 12.32 | .44  | 11.18 | .69  | 17.53 | 7                            | 3.1 | 5000              | 1000          |
| <i>T-5-S</i>  | .533       | 13.54 | .562  | 14.28 | .477  | 12.12 | .506  | 12.85 | .22  | 5.59  | .68  | 17.27 | 5                            | 2.2 | 5000              | 1000          |
| <i>T-5-X</i>  | .500       | 12.70 | .576  | 14.63 | .440  | 11.18 | .516  | 13.11 | .44  | 11.18 | .72  | 18.29 | 7                            | 3.1 | 5000              | 1000          |
| <i>T-6</i>    | .532       | 13.51 | .608  | 15.44 | .468  | 11.89 | .545  | 13.84 | .44  | 11.18 | .75  | 19.05 | 8                            | 3.6 | 5000              | 1000          |
| <i>T-6-S</i>  | .554       | 14.07 | .612  | 15.55 | .490  | 12.45 | .551  | 14.00 | .31  | 7.87  | .75  | 19.05 | 6                            | 2.7 | 5000              | 1000          |
| <i>T-6-X</i>  | .550       | 13.97 | .631  | 16.03 | .487  | 12.37 | .568  | 14.43 | .47  | 11.94 | .75  | 19.05 | 8                            | 3.6 | 5000              | 1000          |
| <i>T-7</i>    | .580       | 14.73 | .667  | 16.94 | .518  | 13.16 | .605  | 15.37 | .50  | 12.70 | .81  | 20.57 | 9                            | 4.0 | 5000              | 1000          |
| <i>T-7-X</i>  | .610       | 15.49 | .695  | 17.65 | .549  | 13.95 | .634  | 16.10 | .50  | 12.70 | .84  | 21.34 | 10                           | 4.5 | 5000              | 1000          |
| <i>T-8</i>    | .640       | 16.26 | .727  | 18.47 | .578  | 14.68 | .664  | 16.87 | .50  | 12.70 | .88  | 22.35 | 10                           | 4.5 | 5000              | 1000          |
| <i>T-8-S</i>  | .669       | 16.99 | .694  | 17.63 | .613  | 15.57 | .638  | 16.21 | .19  | 4.83  | .75  | 19.05 | 7                            | 3.1 | 5000              | 1000          |
| <i>T-8-X</i>  | .675       | 17.15 | .755  | 19.18 | .613  | 15.57 | .693  | 17.60 | .50  | 12.70 | .88  | 22.35 | 10                           | 4.5 | 5000              | 1000          |
| <i>T-9</i>    | .690       | 17.53 | .788  | 20.02 | .628  | 15.95 | .726  | 18.44 | .56  | 14.22 | .94  | 23.88 | 13                           | 5.8 | 5000              | 1000          |
| <i>T-9-S</i>  | .740       | 18.80 | .765  | 19.43 | .678  | 17.22 | .703  | 17.86 | .19  | 4.83  | .88  | 22.35 | 7                            | 3.1 | 5000              | 1000          |
| <i>T-9-X</i>  | .725       | 18.42 | .823  | 20.91 | .663  | 16.84 | .761  | 19.33 | .56  | 14.22 | .97  | 24.64 | 13                           | 5.8 | 5000              | 1000          |
| <i>T-10</i>   | .750       | 19.05 | .848  | 21.54 | .687  | 17.45 | .785  | 19.94 | .56  | 14.22 | 1.00 | 25.40 | 13                           | 5.8 | 5000              | 1000          |
| <i>T-11</i>   | .802       | 20.37 | .911  | 23.14 | .740  | 18.80 | .849  | 21.57 | .63  | 16.00 | 1.06 | 26.93 | 15                           | 6.8 | 5000              | 1000          |
| <i>T-11-X</i> | .815       | 20.70 | .930  | 23.62 | .753  | 19.13 | .868  | 22.05 | .63  | 16.00 | 1.09 | 27.69 | 16                           | 7.2 | 5000              | 1000          |
| <i>T-11-S</i> | .837       | 21.26 | .890  | 22.61 | .757  | 19.23 | .810  | 20.57 | .22  | 5.59  | 1.05 | 26.67 | 12                           | 5.4 | 5000              | 1000          |
| <i>T-12</i>   | .866       | 22.00 | .975  | 24.77 | .803  | 20.40 | .912  | 23.17 | .63  | 16.00 | 1.13 | 28.70 | 17                           | 7.6 | 5000              | 1000          |
| <i>T-12-X</i> | .915       | 23.24 | 1.040 | 26.42 | .855  | 21.72 | .980  | 24.89 | .69  | 17.53 | 1.16 | 29.47 | 18                           | 8.1 | 5000              | 1000          |
| <i>T-13-A</i> | .960       | 24.38 | 1.047 | 26.59 | .900  | 22.86 | .987  | 25.07 | .50  | 12.70 | 1.19 | 30.23 | 17                           | 7.6 | 5000              | 1000          |
| <i>T-13</i>   | .964       | 24.49 | 1.090 | 27.69 | .901  | 22.89 | 1.027 | 26.09 | .75  | 19.05 | 1.25 | 31.75 | 12                           | 5.4 | 2500              | 500           |
| <i>T-13-X</i> | .995       | 25.27 | 1.145 | 29.08 | .933  | 23.70 | 1.083 | 27.51 | .75  | 19.05 | 1.31 | 33.28 | 12                           | 5.4 | 2500              | 500           |
| <i>T-14</i>   | 1.094      | 27.79 | 1.215 | 30.86 | 1.031 | 26.19 | 1.152 | 29.26 | .75  | 19.05 | 1.41 | 35.82 | 14                           | 6.3 | 2500              | 500           |
| <i>T-14-X</i> | 1.175      | 29.85 | 1.284 | 32.61 | 1.113 | 28.27 | 1.222 | 31.04 | .63  | 16.00 | 1.44 | 36.58 | 14                           | 6.3 | 2500              | 500           |
| <i>T-15-A</i> | .836       | 21.24 | 1.305 | 33.15 | .777  | 19.74 | 1.247 | 31.68 | 1.06 | 26.93 | 1.43 | 36.32 | 15                           | 6.8 | 2500              | 500           |
| <i>T-15</i>   | 1.224      | 31.09 | 1.355 | 34.42 | 1.161 | 29.49 | 1.292 | 32.82 | .75  | 19.05 | 1.50 | 38.10 | 15                           | 6.8 | 2500              | 500           |
| <i>T-15-X</i> | 1.235      | 31.37 | 1.360 | 34.55 | 1.173 | 29.80 | 1.298 | 32.97 | .81  | 20.57 | 1.50 | 38.10 | 16                           | 7.2 | 2500              | 500           |
| <i>T-15-S</i> | 1.285      | 32.64 | 1.346 | 34.19 | 1.227 | 31.17 | 1.288 | 32.72 | .38  | 9.65  | 1.47 | 37.34 | 19                           | 8.6 | 5000              | 1000          |
| <i>T-16-A</i> | 1.140      | 28.96 | 1.420 | 36.07 | 1.085 | 27.56 | 1.358 | 34.49 | .81  | 20.57 | 1.56 | 39.63 | 14                           | 6.3 | 2500              | 500           |
| <i>T-16</i>   | 1.312      | 33.33 | 1.465 | 37.21 | 1.249 | 31.73 | 1.402 | 35.61 | .88  | 22.35 | 1.63 | 41.40 | 19                           | 8.6 | 2500              | 500           |
| <i>T-16-S</i> | 1.395      | 35.43 | 1.465 | 37.21 | 1.345 | 34.16 | 1.405 | 35.69 | .39  | 9.91  | 1.59 | 40.39 | 5                            | 2.2 | 1000              | 200           |
| <i>T-17-A</i> | 1.239      | 31.47 | 1.507 | 38.28 | 1.169 | 29.69 | 1.437 | 36.50 | .75  | 19.05 | 1.63 | 41.40 | 16                           | 7.2 | 2500              | 500           |
| <i>T-17</i>   | 1.447      | 36.76 | 1.600 | 40.64 | 1.384 | 35.15 | 1.537 | 39.04 | .88  | 22.35 | 1.75 | 44.45 | 9                            | 4.0 | 1000              | 200           |
| <i>T-17-S</i> | 1.513      | 38.43 | 1.600 | 40.64 | 1.451 | 36.86 | 1.537 | 39.04 | .50  | 12.70 | 1.75 | 44.45 | 16                           | 7.2 | 2500              | 500           |
| <i>T-18</i>   | 1.560      | 39.63 | 1.682 | 42.72 | 1.498 | 38.05 | 1.620 | 41.15 | .75  | 19.05 | 1.88 | 47.75 | 9                            | 4.0 | 1000              | 200           |
| <i>T-18-X</i> | 1.630      | 41.40 | 1.750 | 44.45 | 1.568 | 39.83 | 1.688 | 42.88 | .75  | 19.05 | 1.94 | 49.28 | 10                           | 4.5 | 1000              | 200           |
| <i>T-19</i>   | 1.750      | 44.45 | 1.880 | 47.75 | 1.688 | 42.88 | 1.818 | 46.18 | .75  | 19.05 | 2.00 | 50.80 | 9                            | 4.0 | 1000              | 200           |
| <i>T-20-A</i> | 1.440      | 36.58 | 1.895 | 48.13 | 1.378 | 35.00 | 1.833 | 46.56 | 1.28 | 32.51 | 2.06 | 52.33 | 11                           | 4.9 | 1000              | 200           |
| <i>T-20</i>   | 1.780      | 45.21 | 1.950 | 49.53 | 1.718 | 43.64 | 1.888 | 47.96 | 1.00 | 25.40 | 2.13 | 54.10 | 12                           | 5.4 | 1000              | 200           |
| <i>T-20-S</i> | 1.781      | 45.24 | 1.805 | 45.85 | 1.722 | 43.74 | 1.746 | 44.35 | .38  | 9.65  | 2.00 | 50.80 | 7                            | 3.1 | 1000              | 200           |
| <i>T-210</i>  | 1.844      | 46.84 | 2.000 | 50.80 | 1.781 | 45.24 | 1.938 | 49.23 | 1.00 | 25.40 | 2.13 | 54.10 | 12                           | 5.4 | 1000              | 200           |



**WHEN PLUGGING**  
"B" Dim. must be at least 1% larger than hole to be plugged. Minimum .020".

Note: part number in *red italics* also available from stock in FlexTe



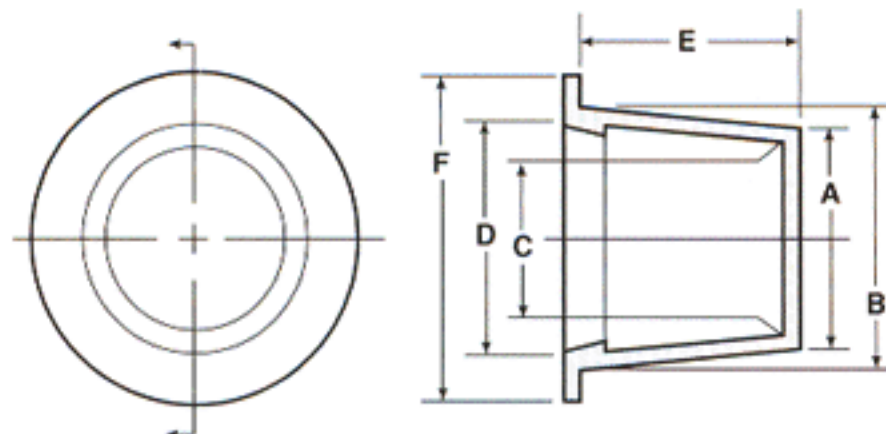
# non-threaded PLUGS



## T Series (cont'd)

Specs.: MIL-C-5501/7 (MIL-C-52078), NAS-834

| Dimensions |        |       |        |       |        |       |        |      |       |      |        | Packaging             |      |                   |               | Caplug No. |  |
|------------|--------|-------|--------|-------|--------|-------|--------|------|-------|------|--------|-----------------------|------|-------------------|---------------|------------|--|
| A          |        | B     |        | C     |        | D     |        | E    |       | F    |        | Standard Carton       |      | Mini Pak Quantity |               |            |  |
| in         | mm     | in    | mm     | in    | mm     | in    | mm     | in   | mm    | in   | mm     | Shipping Wt.(Approx.) |      |                   | No. of Pieces |            |  |
|            |        |       |        |       |        |       |        |      |       |      |        | lbs                   | kgs  |                   |               |            |  |
| 1.738      | 44.15  | 2.163 | 54.94  | 1.668 | 42.37  | 2.093 | 53.16  | 1.18 | 29.97 | 2.31 | 58.68  | 13                    | 5.8  | 1000              | 200           | T-21-A     |  |
| 1.900      | 48.26  | 2.076 | 52.73  | 1.837 | 46.66  | 2.013 | 51.13  | 1.00 | 25.40 | 2.25 | 57.15  | 14                    | 6.3  | 1000              | 200           | T-21       |  |
| 1.975      | 50.17  | 2.132 | 54.15  | 1.913 | 48.59  | 2.070 | 52.58  | 1.00 | 25.40 | 2.25 | 57.15  | 13                    | 5.8  | 1000              | 200           | T-220      |  |
| 1.935      | 49.15  | 2.310 | 58.68  | 1.875 | 47.63  | 2.255 | 57.28  | .85  | 21.59 | 2.47 | 62.74  | 12                    | 5.4  | 1000              | 200           | T-22-A     |  |
| 2.015      | 51.18  | 2.147 | 54.54  | 1.953 | 49.61  | 2.085 | 52.96  | .75  | 19.05 | 2.31 | 58.68  | 12                    | 5.4  | 1000              | 200           | T-22-S     |  |
| 2.067      | 52.50  | 2.243 | 56.97  | 2.005 | 50.93  | 2.181 | 55.40  | 1.00 | 25.40 | 2.44 | 61.98  | 13                    | 5.8  | 1000              | 200           | T-221      |  |
| 2.136      | 54.26  | 2.312 | 58.73  | 2.074 | 52.68  | 2.250 | 57.15  | 1.00 | 25.40 | 2.56 | 65.03  | 15                    | 6.8  | 1000              | 200           | T-230      |  |
| 2.230      | 56.64  | 2.260 | 57.41  | 2.168 | 55.07  | 2.198 | 55.83  | .50  | 12.70 | 2.50 | 63.50  | 12                    | 5.4  | 1000              | 200           | T-24-S     |  |
| 2.125      | 53.98  | 2.406 | 61.11  | 2.063 | 52.40  | 2.344 | 59.54  | 1.00 | 25.40 | 2.53 | 64.26  | 14                    | 6.3  | 1000              | 200           | T-25-A     |  |
| 2.298      | 58.37  | 2.464 | 62.59  | 2.235 | 56.77  | 2.401 | 60.99  | 1.00 | 25.40 | 2.63 | 66.80  | 10                    | 4.5  | 500               | 100           | T-240      |  |
| 2.395      | 60.84  | 2.602 | 66.09  | 2.333 | 59.26  | 2.540 | 64.52  | 1.03 | 26.16 | 2.81 | 71.38  | 10                    | 4.5  | 500               | 100           | T-250      |  |
| 2.480      | 62.99  | 2.644 | 67.16  | 2.418 | 61.42  | 2.582 | 65.59  | .63  | 16.00 | 2.78 | 70.61  | 14                    | 6.3  | 1000              | 200           | T-33-A1    |  |
| 2.307      | 58.60  | 2.650 | 67.31  | 2.245 | 57.03  | 2.588 | 65.74  | 1.25 | 31.75 | 2.78 | 70.61  | 10                    | 4.5  | 500               | 100           | T-33-A     |  |
| 2.457      | 62.41  | 2.750 | 69.85  | 2.395 | 60.84  | 2.688 | 68.28  | 1.00 | 25.40 | 2.88 | 73.15  | 11                    | 4.9  | 500               | 100           | T-43-A     |  |
| 2.555      | 64.90  | 2.690 | 68.33  | 2.493 | 63.32  | 2.628 | 66.75  | .63  | 16.00 | 2.88 | 73.15  | 16                    | 7.2  | 1000              | 200           | T-43-X     |  |
| 2.641      | 67.08  | 2.790 | 70.87  | 2.579 | 65.51  | 2.728 | 69.29  | .75  | 19.05 | 2.94 | 74.68  | 9                     | 4.0  | 500               | 100           | T-44       |  |
| 2.760      | 70.11  | 2.990 | 75.95  | 2.685 | 68.20  | 2.947 | 74.86  | 1.00 | 25.40 | 3.13 | 79.51  | 10                    | 4.5  | 500               | 100           | T-45-A     |  |
| 2.849      | 72.37  | 2.980 | 75.69  | 2.787 | 70.79  | 2.918 | 74.12  | .75  | 19.05 | 3.25 | 82.55  | 10                    | 4.5  | 500               | 100           | T-500      |  |
| 2.975      | 75.57  | 3.103 | 78.82  | 2.915 | 74.04  | 3.041 | 77.24  | .75  | 19.05 | 3.34 | 84.84  | 11                    | 4.9  | 500               | 100           | T-53       |  |
| 2.982      | 75.75  | 3.245 | 82.43  | 2.912 | 73.97  | 3.175 | 80.65  | 1.00 | 25.40 | 3.38 | 85.86  | 12                    | 5.4  | 500               | 100           | T-55-A     |  |
| 3.090      | 78.49  | 3.370 | 85.60  | 3.020 | 76.71  | 3.300 | 83.82  | 1.00 | 25.40 | 3.50 | 88.90  | 15                    | 6.8  | 500               | 100           | T-57-A     |  |
| 3.325      | 84.46  | 3.457 | 87.81  | 3.245 | 82.43  | 3.377 | 85.78  | .75  | 19.05 | 3.63 | 92.21  | 9                     | 4.0  | 250               | 50            | T-501      |  |
| 3.270      | 83.06  | 3.562 | 90.48  | 3.200 | 81.28  | 3.492 | 88.70  | 1.13 | 28.70 | 3.69 | 93.73  | 9                     | 4.0  | 250               | 50            | T-96-A     |  |
| 3.47       | 88.14  | 3.60  | 91.44  | 3.41  | 86.62  | 3.54  | 89.92  | .75  | 19.05 | 3.88 | 98.56  | 16                    | 7.2  | 500               | 100           | T-1050     |  |
| 3.55       | 90.17  | 3.73  | 94.75  | 3.48  | 88.40  | 3.66  | 92.97  | 1.00 | 25.40 | 4.00 | 101.60 | 10                    | 4.5  | 250               | 50            | T-1051     |  |
| 3.68       | 93.48  | 3.80  | 96.52  | 3.61  | 91.70  | 3.73  | 94.75  | .75  | 19.05 | 4.00 | 101.60 | 9                     | 4.0  | 250               | 50            | T-1052     |  |
| 3.79       | 96.27  | 3.92  | 99.57  | 3.71  | 94.24  | 3.84  | 97.54  | .75  | 19.05 | 4.12 | 104.65 | 9                     | 4.0  | 250               | 50            | T-502      |  |
| 3.93       | 99.83  | 4.07  | 103.38 | 3.86  | 98.05  | 4.00  | 101.60 | .75  | 19.05 | 4.38 | 111.26 | 10                    | 4.5  | 250               | 50            | T-1063     |  |
| 4.02       | 102.11 | 4.14  | 105.16 | 3.94  | 100.08 | 4.07  | 103.38 | .75  | 19.05 | 4.53 | 115.07 | 11                    | 4.9  | 250               | 50            | T-1064     |  |
| 4.09       | 103.89 | 4.32  | 109.73 | 4.01  | 101.86 | 4.24  | 107.70 | 1.25 | 31.75 | 4.62 | 117.35 | 25                    | 11.2 | 250               | 100           | T-1067     |  |
| 4.27       | 108.46 | 4.43  | 112.53 | 4.18  | 106.18 | 4.34  | 110.24 | .88  | 22.35 | 4.88 | 123.96 | 15                    | 6.8  | 250               | 100           | T-1070     |  |
| 4.37       | 111.00 | 4.62  | 117.35 | 4.29  | 108.97 | 4.54  | 115.32 | 1.00 | 25.40 | 5.00 | 127.01 | 27                    | 12.1 | 250               | 50            | T-1072     |  |
| 4.64       | 117.86 | 4.85  | 123.19 | 4.57  | 116.08 | 4.78  | 121.42 | .88  | 22.35 | 5.25 | 133.36 | 25                    | 11.2 | 250               | 50            | T-1076     |  |
| 4.79       | 121.67 | 4.97  | 126.24 | 4.71  | 119.64 | 4.89  | 124.21 | 1.00 | 25.40 | 5.38 | 136.66 | 16                    | 7.2  | 250               | 50            | T-1078     |  |
| 4.91       | 124.72 | 5.09  | 129.29 | 4.83  | 122.69 | 5.01  | 127.26 | 1.00 | 25.40 | 5.50 | 139.71 | 15                    | 6.8  | 250               | 50            | T-1079     |  |
| 4.99       | 126.75 | 5.20  | 132.09 | 4.92  | 124.97 | 5.10  | 129.55 | 1.00 | 25.40 | 5.63 | 143.01 | 16                    | 7.2  | 250               | 50            | T-1080     |  |
| 5.18       | 131.58 | 5.36  | 136.15 | 5.11  | 129.80 | 5.29  | 134.37 | 1.00 | 25.40 | 5.88 | 149.36 | 19                    | 8.6  | 250               | 50            | T-1084     |  |
| 5.33       | 135.39 | 5.49  | 139.45 | 5.21  | 132.34 | 5.37  | 136.40 | .88  | 22.35 | 5.88 | 149.36 | 19                    | 8.6  | 250               | 50            | T-1086     |  |
| 5.47       | 138.94 | 5.62  | 142.75 | 5.39  | 136.91 | 5.54  | 140.72 | 1.00 | 25.40 | 6.13 | 155.71 | 18                    | 8.1  | 250               | 50            | T-1088     |  |
| 5.57       | 141.48 | 5.75  | 146.06 | 5.49  | 139.45 | 5.67  | 144.02 | 1.00 | 25.40 | 6.19 | 157.23 | 19                    | 8.6  | 250               | 50            | T-1090     |  |
| 5.70       | 144.79 | 5.87  | 149.10 | 5.61  | 142.50 | 5.79  | 147.07 | .98  | 24.89 | 6.25 | 158.76 | 19                    | 8.6  | 250               | 50            | T-1092     |  |
| 6.01       | 152.66 | 6.18  | 156.98 | 5.92  | 150.37 | 6.10  | 154.95 | 1.00 | 25.40 | 6.62 | 168.15 | 19                    | 8.6  | 250               | 50            | T-1097     |  |
| 6.18       | 156.98 | 6.35  | 161.30 | 6.09  | 154.69 | 6.26  | 159.01 | 1.00 | 25.40 | 6.75 | 171.46 | 10                    | 4.5  | 100               | 20            | T-1100     |  |
| 6.40       | 162.57 | 6.56  | 166.63 | 6.33  | 160.79 | 6.49  | 164.85 | .87  | 22.10 | 6.94 | 176.28 | 10                    | 4.5  | 100               | 20            | T-1103     |  |
| 6.61       | 167.90 | 6.71  | 170.44 | 6.53  | 165.87 | 6.63  | 168.41 | 1.50 | 38.10 | 7.19 | 182.63 | 13                    | 5.8  | 100               | 20            | T-1107     |  |
| 6.88       | 174.75 | 7.03  | 178.56 | 6.80  | 172.72 | 6.95  | 176.53 | .50  | 12.70 | 7.67 | 194.82 | 12                    | 5.4  | 100               | 20            | T-1108-S   |  |
| 7.05       | 179.08 | 7.12  | 180.86 | 6.97  | 177.04 | 7.06  | 179.33 | 1.00 | 25.40 | 7.63 | 193.81 | 14                    | 6.3  | 100               | 20            | T-1109     |  |
| 7.34       | 186.44 | 7.65  | 194.32 | 7.26  | 184.41 | 7.56  | 192.03 | 1.00 | 25.40 | 7.94 | 201.68 | 13                    | 5.8  | 100               | 20            | T-1110     |  |
| 7.66       | 194.57 | 7.84  | 199.14 | 7.58  | 192.54 | 7.76  | 197.11 | 1.00 | 25.40 | 8.12 | 206.26 | 12                    | 5.4  | 100               | 20            | T-1120     |  |
| 7.97       | 202.45 | 8.14  | 206.76 | 7.88  | 200.16 | 8.05  | 204.48 | 1.00 | 25.40 | 8.38 | 212.86 | 13                    | 5.8  | 100               | 20            | T-1128     |  |
| 8.15       | 207.02 | 8.35  | 212.10 | 8.05  | 204.48 | 8.25  | 209.56 | 1.38 | 35.05 | 8.75 | 222.26 | 10                    | 4.5  | 50                | 10            | T-1133     |  |
| 8.40       | 213.37 | 8.60  | 218.45 | 8.30  | 210.83 | 8.50  | 215.91 | 1.38 | 35.05 | 9.00 | 228.61 | 10                    | 4.5  | 50                | 10            | T-1137     |  |
| 8.67       | 220.23 | 8.73  | 221.75 | 8.55  | 217.18 | 8.60  | 218.45 | 1.50 | 38.10 | 9.13 | 231.91 | 11                    | 4.9  | 50                | 10            | T-1139     |  |



**WHEN PLUGGING**  
"B" Dim. must be at least 1% larger than hole to be plugged. Minimum .020".

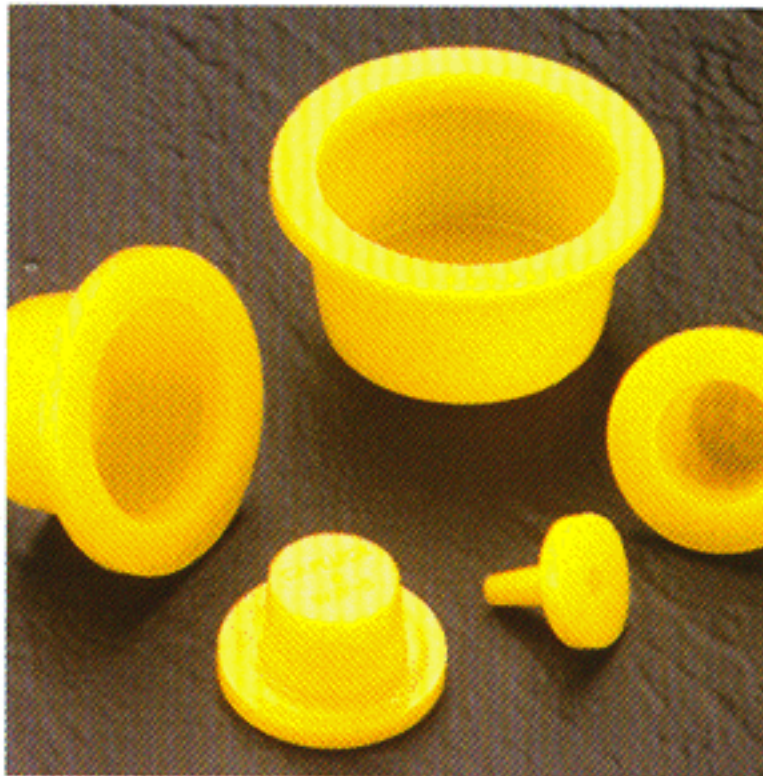
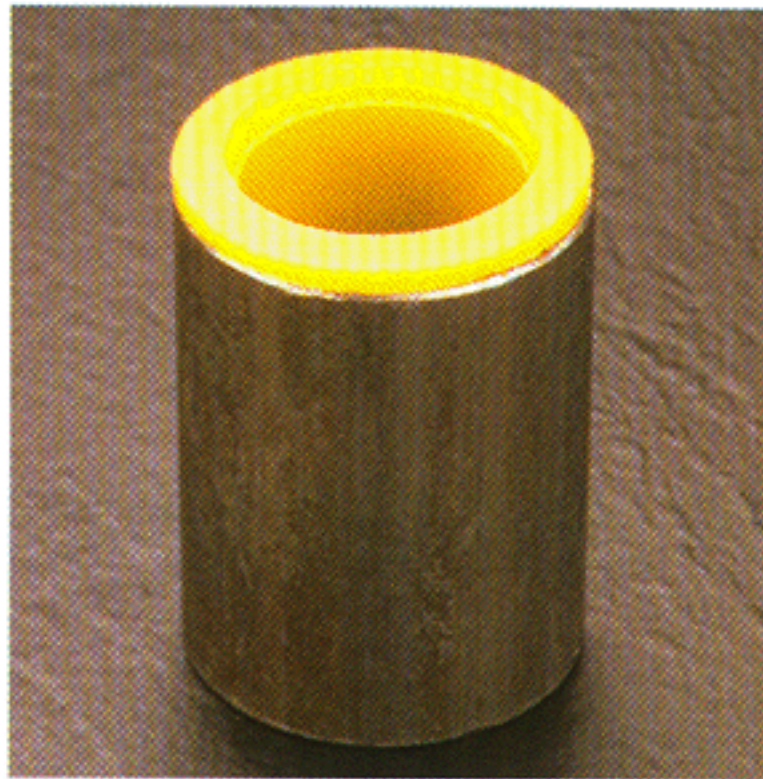
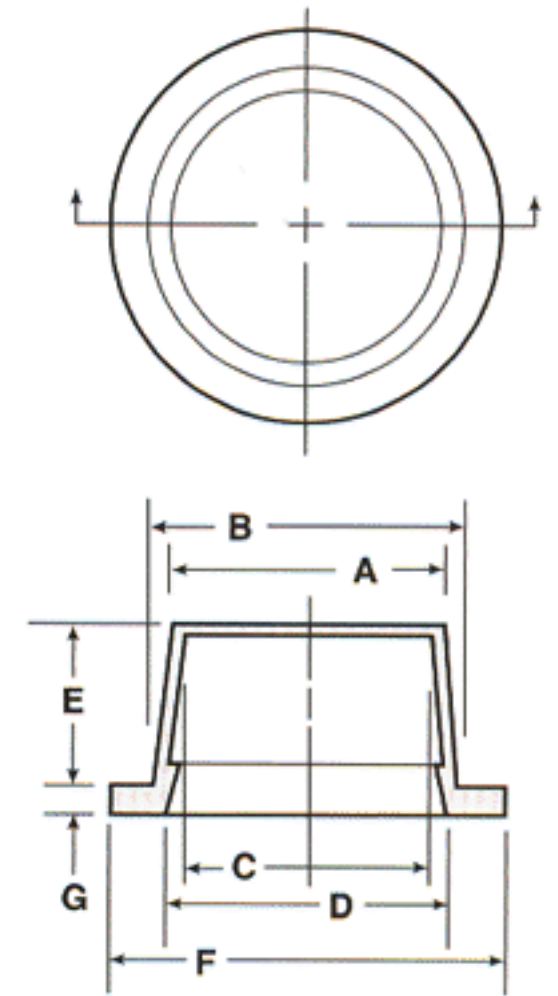
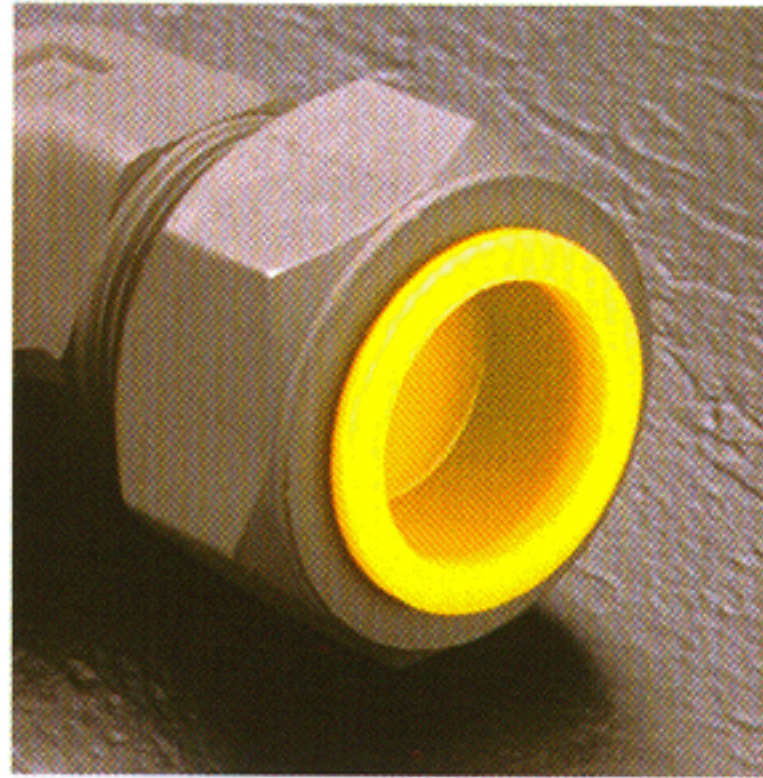
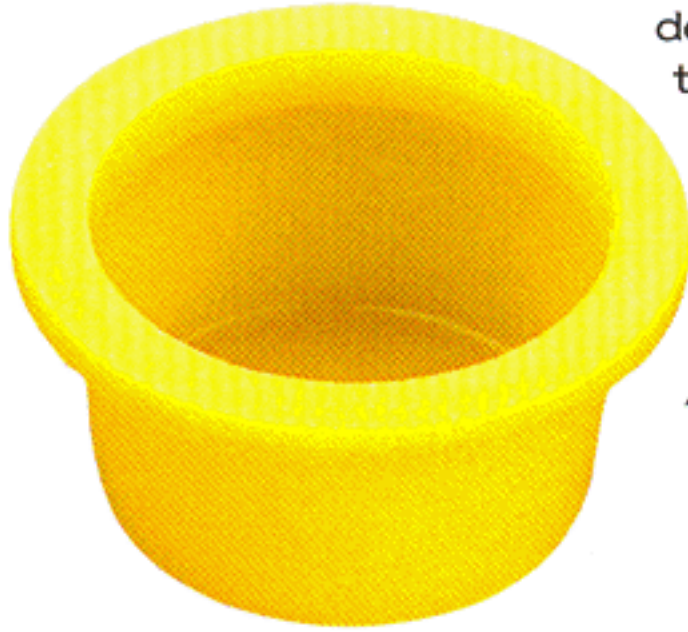




# PLUGS non-threaded

## WW Series Tapered Plugs with Wide, Thick Flanges

Accepted by the aircraft industry, Series WW Plugs are designed with a wide, thick flange to insure against being erroneously forced "all-the-way-through" when used as a plug. Available in fifty-four sizes, this versatile part may easily be used as a cap or plug depending upon application.



**MATERIAL:** Low Density Polyethylene  
**COLOR\*:** Yellow



# non-threaded PLUGS



Specs.: NSA STND, NAS-816



**WHEN PLUGGING**  
"B" Dim. must be at least 1% larger than hole to be plugged. Minimum .020".

## WW Series

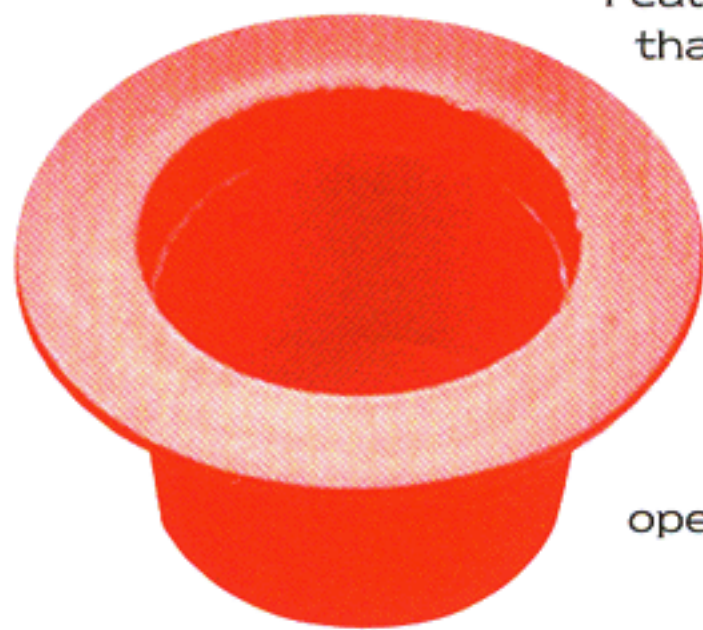
| Dimensions |        |       |        |       |        |       |        |      |       |      |        |      |      | Packaging                    |      |                   |               | Caplug No. |
|------------|--------|-------|--------|-------|--------|-------|--------|------|-------|------|--------|------|------|------------------------------|------|-------------------|---------------|------------|
| A          |        | B     |        | C     |        | D     |        | E    |       | F    |        | G    |      | Standard Carton              |      | Mini Pak Quantity |               |            |
| in         | mm     | in    | mm     | in    | mm     | in    | mm     | in   | mm    | in   | mm     | in   | mm   | Shipping Wt.(Approx.)<br>lbs | kgs  |                   | No. of Pieces |            |
| .116       | 2.95   | .182  | 4.62   | .053  | 1.35   | .120  | 3.05   | .37  | 9.40  | .50  | 12.70  | .090 | 2.29 | 5                            | 2.2  | 5000              | 1000          | WW-00      |
| .173       | 4.39   | .240  | 6.10   | .111  | 2.82   | .177  | 4.50   | .37  | 9.40  | .56  | 14.22  | .090 | 2.29 | 6                            | 2.7  | 5000              | 1000          | WW-0       |
| .236       | 5.99   | .296  | 7.52   | .174  | 4.42   | .225  | 5.72   | .31  | 7.87  | .62  | 15.75  | .090 | 2.29 | 6                            | 2.7  | 5000              | 1000          | WW-1       |
| .299       | 7.59   | .365  | 9.27   | .235  | 5.97   | .302  | 7.67   | .31  | 7.87  | .68  | 17.27  | .090 | 2.29 | 8                            | 3.6  | 5000              | 1000          | WW-2       |
| .333       | 8.46   | .392  | 9.96   | .269  | 6.83   | .319  | 8.10   | .31  | 7.87  | .72  | 18.29  | .090 | 2.29 | 8                            | 3.6  | 5000              | 1000          | WW-2X      |
| .367       | 9.32   | .418  | 10.62  | .298  | 7.57   | .354  | 8.99   | .31  | 7.87  | .75  | 19.05  | .090 | 2.29 | 9                            | 4.0  | 5000              | 1000          | WW-3       |
| .397       | 10.08  | .447  | 11.35  | .328  | 8.33   | .383  | 9.73   | .31  | 7.87  | .78  | 19.81  | .090 | 2.29 | 9                            | 4.0  | 5000              | 1000          | WW-3X      |
| .427       | 10.85  | .475  | 12.07  | .356  | 9.04   | .409  | 10.39  | .31  | 7.87  | .81  | 20.57  | .090 | 2.29 | 10                           | 4.5  | 5000              | 1000          | WW-4       |
| .435       | 11.05  | .509  | 12.93  | .365  | 9.27   | .439  | 11.15  | .37  | 9.40  | .83  | 21.08  | .090 | 2.29 | 11                           | 4.9  | 5000              | 1000          | WW-4X      |
| .481       | 12.22  | .547  | 13.89  | .409  | 10.39  | .493  | 12.52  | .37  | 9.40  | .87  | 22.10  | .090 | 2.29 | 12                           | 5.4  | 5000              | 1000          | WW-5       |
| .500       | 12.70  | .563  | 14.30  | .440  | 11.18  | .500  | 12.70  | .37  | 9.40  | .89  | 22.61  | .090 | 2.29 | 13                           | 5.8  | 5000              | 1000          | WW-5X      |
| .530       | 13.46  | .615  | 15.62  | .468  | 11.89  | .547  | 13.89  | .37  | 9.40  | .94  | 23.88  | .090 | 2.29 | 14                           | 6.3  | 5000              | 1000          | WW-6       |
| .560       | 14.22  | .631  | 16.03  | .497  | 12.62  | .579  | 14.71  | .41  | 10.41 | .97  | 24.64  | .090 | 2.29 | 15                           | 6.8  | 5000              | 1000          | WW-6X      |
| .590       | 14.99  | .667  | 16.94  | .518  | 13.16  | .605  | 15.37  | .44  | 11.18 | 1.00 | 25.40  | .090 | 2.29 | 16                           | 7.2  | 5000              | 1000          | WW-7       |
| .610       | 15.49  | .687  | 17.45  | .548  | 13.92  | .635  | 16.13  | .44  | 11.18 | 1.03 | 26.16  | .090 | 2.29 | 16                           | 7.2  | 5000              | 1000          | WW-7X      |
| .628       | 15.95  | .725  | 18.42  | .558  | 14.17  | .662  | 16.82  | .44  | 11.18 | 1.06 | 26.93  | .090 | 2.29 | 17                           | 7.6  | 5000              | 1000          | WW-8       |
| .658       | 16.71  | .750  | 19.05  | .588  | 14.94  | .687  | 17.45  | .44  | 11.18 | 1.09 | 27.69  | .090 | 2.29 | 18                           | 8.1  | 5000              | 1000          | WW-8X      |
| .690       | 17.53  | .775  | 19.69  | .620  | 15.75  | .721  | 18.31  | .47  | 11.94 | 1.12 | 28.45  | .090 | 2.29 | 19                           | 8.6  | 5000              | 1000          | WW-9       |
| .725       | 18.42  | .812  | 20.63  | .663  | 16.84  | .761  | 19.33  | .50  | 12.70 | 1.16 | 29.47  | .090 | 2.29 | 21                           | 9.4  | 5000              | 1000          | WW-9X      |
| .755       | 19.18  | .870  | 22.10  | .693  | 17.60  | .808  | 20.52  | .50  | 12.70 | 1.18 | 29.97  | .090 | 2.29 | 21                           | 9.4  | 5000              | 1000          | WW-10      |
| .820       | 20.83  | .930  | 23.62  | .755  | 19.18  | .865  | 21.97  | .53  | 13.46 | 1.25 | 31.75  | .090 | 2.29 | 24                           | 10.8 | 2500              | 500           | WW-11      |
| .825       | 20.96  | .929  | 23.60  | .763  | 19.38  | .878  | 22.30  | .56  | 14.22 | 1.25 | 31.75  | .090 | 2.29 | 23                           | 10.3 | 2500              | 500           | WW-11X     |
| .867       | 22.02  | .975  | 24.77  | .805  | 20.45  | .913  | 23.19  | .56  | 14.22 | 1.28 | 32.51  | .090 | 2.29 | 26                           | 11.7 | 2500              | 500           | WW-12      |
| .915       | 23.24  | 1.035 | 26.29  | .840  | 21.34  | .960  | 24.38  | .63  | 16.00 | 1.34 | 34.04  | .090 | 2.29 | 16                           | 7.2  | 2500              | 500           | WW-12X     |
| .984       | 24.99  | 1.105 | 28.07  | .919  | 23.34  | 1.040 | 26.42  | .66  | 16.76 | 1.44 | 36.58  | .090 | 2.29 | 16                           | 7.2  | 2500              | 500           | WW-13      |
| 1.094      | 27.79  | 1.215 | 30.86  | 1.031 | 26.19  | 1.132 | 28.75  | .69  | 17.53 | 1.56 | 39.63  | .090 | 2.29 | 18                           | 8.1  | 2500              | 500           | WW-13B     |
| 1.110      | 28.20  | 1.233 | 31.32  | 1.043 | 26.49  | 1.157 | 29.39  | .66  | 16.76 | 1.56 | 39.63  | .090 | 2.29 | 19                           | 8.6  | 2500              | 500           | WW-14      |
| 1.150      | 29.21  | 1.284 | 32.61  | 1.108 | 28.14  | 1.205 | 30.61  | .66  | 16.76 | 1.56 | 39.63  | .090 | 2.29 | 18                           | 8.1  | 2500              | 500           | WW-14X     |
| 1.237      | 31.42  | 1.382 | 35.10  | 1.167 | 29.64  | 1.288 | 32.72  | .66  | 16.76 | 1.68 | 42.67  | .090 | 2.29 | 21                           | 9.4  | 2500              | 500           | WW-15      |
| 1.312      | 33.33  | 1.465 | 37.21  | 1.249 | 31.73  | 1.364 | 34.65  | .81  | 20.57 | 1.84 | 46.74  | .120 | 3.05 | 13                           | 5.8  | 1000              | 200           | WW-16      |
| 1.416      | 35.97  | 1.516 | 38.51  | 1.354 | 34.39  | 1.462 | 37.14  | .69  | 17.53 | 1.75 | 44.45  | .120 | 3.05 | 11                           | 4.9  | 1000              | 200           | WW-16X     |
| 1.452      | 36.88  | 1.603 | 40.72  | 1.377 | 34.98  | 1.503 | 38.18  | .63  | 16.00 | 1.94 | 49.28  | .120 | 3.05 | 13                           | 5.8  | 1000              | 200           | WW-17      |
| 1.580      | 40.13  | 1.714 | 43.54  | 1.515 | 38.48  | 1.649 | 41.89  | .63  | 16.00 | 2.06 | 52.33  | .120 | 3.05 | 13                           | 5.8  | 1000              | 200           | WW-18      |
| 1.730      | 43.94  | 1.887 | 47.93  | 1.650 | 41.91  | 1.780 | 45.21  | .63  | 16.00 | 2.31 | 58.68  | .120 | 3.05 | 17                           | 7.6  | 1000              | 200           | WW-19      |
| 1.810      | 45.98  | 1.975 | 50.17  | 1.730 | 43.94  | 1.895 | 48.13  | .63  | 16.00 | 2.38 | 60.45  | .120 | 3.05 | 18                           | 8.1  | 1000              | 200           | WW-200     |
| 1.850      | 46.99  | 2.020 | 51.31  | 1.788 | 45.42  | 1.917 | 48.69  | 1.00 | 25.40 | 2.44 | 61.98  | .120 | 3.05 | 11                           | 4.9  | 500               | 100           | WW-210     |
| 1.927      | 48.95  | 2.058 | 52.28  | 1.857 | 47.17  | 1.988 | 50.50  | .63  | 16.00 | 2.38 | 60.45  | .120 | 3.05 | 17                           | 7.6  | 1000              | 200           | WW-21      |
| 2.067      | 52.50  | 2.243 | 56.97  | 2.005 | 50.93  | 2.135 | 54.23  | 1.00 | 25.40 | 2.69 | 68.33  | .120 | 3.05 | 12                           | 5.4  | 500               | 100           | WW-221     |
| 2.136      | 54.26  | 2.312 | 58.73  | 2.074 | 52.68  | 2.250 | 57.15  | 1.00 | 25.40 | 2.75 | 69.85  | .120 | 3.05 | 12                           | 5.4  | 500               | 100           | WW-230     |
| 2.125      | 53.98  | 2.406 | 61.11  | 2.063 | 52.40  | 2.344 | 59.54  | 1.00 | 25.40 | 2.69 | 68.33  | .120 | 3.05 | 12                           | 5.4  | 500               | 100           | WW-25A     |
| 2.298      | 58.37  | 2.464 | 62.59  | 2.235 | 56.77  | 2.370 | 60.20  | 1.00 | 25.40 | 2.88 | 73.15  | .120 | 3.05 | 14                           | 6.3  | 500               | 100           | WW-240     |
| 2.395      | 60.84  | 2.602 | 66.09  | 2.333 | 59.26  | 2.500 | 63.50  | 1.13 | 28.70 | 3.00 | 76.20  | .120 | 3.05 | 14                           | 6.3  | 500               | 100           | WW-250     |
| 2.305      | 58.55  | 2.620 | 66.55  | 2.245 | 57.03  | 2.560 | 65.03  | 1.25 | 31.75 | 3.06 | 77.73  | .120 | 3.05 | 8                            | 3.6  | 250               | 50            | WW-33A     |
| 2.475      | 62.87  | 2.725 | 69.22  | 2.405 | 61.09  | 2.650 | 67.31  | .91  | 23.11 | 3.16 | 80.27  | .120 | 3.05 | 8                            | 3.6  | 250               | 50            | WW-43A     |
| 2.638      | 67.01  | 2.759 | 70.08  | 2.568 | 65.23  | 2.661 | 67.59  | .69  | 17.53 | 3.22 | 81.79  | .120 | 3.05 | 14                           | 6.3  | 500               | 100           | WW-44      |
| 2.685      | 68.20  | 2.955 | 75.06  | 2.623 | 66.63  | 2.916 | 74.07  | 1.00 | 25.40 | 3.44 | 87.38  | .120 | 3.05 | 8                            | 3.6  | 250               | 50            | WW-45A     |
| 2.995      | 76.08  | 3.150 | 80.01  | 2.925 | 74.30  | 3.080 | 78.24  | .75  | 19.05 | 3.59 | 91.19  | .120 | 3.05 | 9                            | 4.0  | 250               | 50            | WW-53      |
| 2.990      | 75.95  | 3.250 | 82.55  | 2.920 | 74.17  | 3.150 | 80.01  | 1.00 | 25.40 | 3.75 | 95.25  | .120 | 3.05 | 11                           | 4.9  | 250               | 50            | WW-55A     |
| 3.090      | 78.49  | 3.370 | 85.60  | 3.020 | 76.71  | 3.322 | 84.38  | 1.00 | 25.40 | 3.81 | 96.78  | .120 | 3.05 | 10                           | 4.5  | 250               | 50            | WW-57A     |
| 3.225      | 81.92  | 3.562 | 90.48  | 3.155 | 80.14  | 3.517 | 89.34  | 1.12 | 28.45 | 4.00 | 101.60 | .120 | 3.05 | 11                           | 4.9  | 250               | 50            | WW-96A     |
| 3.325      | 84.46  | 3.457 | 87.81  | 3.245 | 82.43  | 3.382 | 85.91  | .75  | 19.05 | 3.88 | 98.56  | .120 | 3.05 | 10                           | 4.5  | 250               | 50            | WW-501     |
| 3.790      | 96.27  | 3.920 | 99.57  | 3.710 | 94.24  | 3.840 | 97.54  | .75  | 19.05 | 4.34 | 110.24 | .120 | 3.05 | 13                           | 5.8  | 250               | 50            | WW-502     |
| 4.011      | 101.88 | 4.135 | 105.03 | 3.937 | 100.00 | 4.061 | 103.15 | .75  | 19.05 | 4.62 | 117.35 | .120 | 3.05 | 6                            | 2.7  | 100               | 20            | WW-1064    |
| 4.640      | 117.86 | 4.847 | 123.12 | 4.566 | 115.98 | 4.775 | 121.29 | .88  | 22.35 | 5.25 | 133.36 | .120 | 3.05 | 7                            | 3.1  | 100               | 20            | WW-1076    |



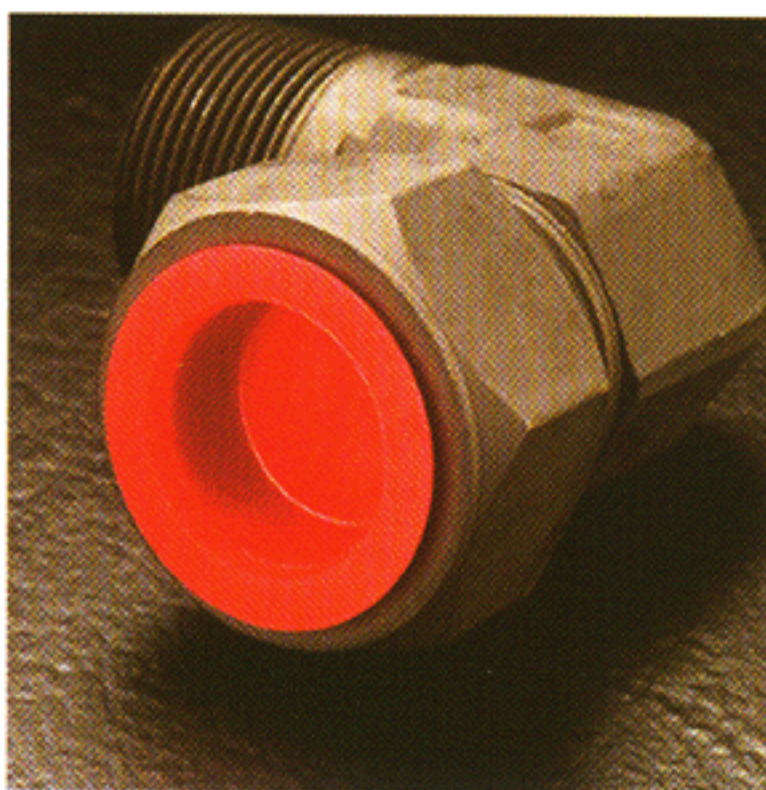


# PLUGS non-threaded

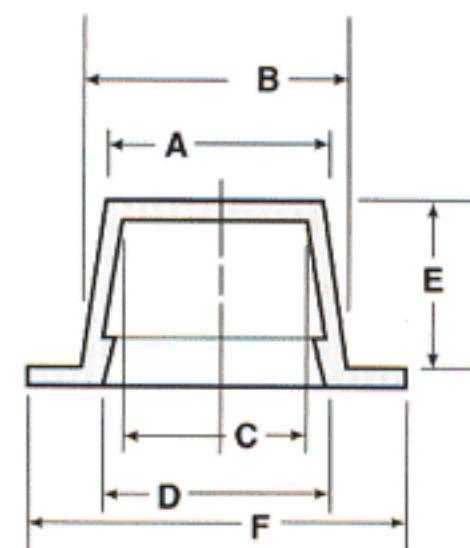
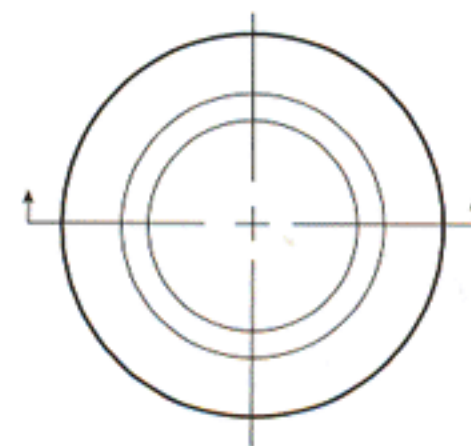
## W Series Tapered Plugs with Wide Flanges



Featuring a wider flange than standard Tapered Plugs, the Series W offers added protection for bearing surfaces, and cannot be accidentally pushed all the way into or through an opening being plugged.



MATERIAL: Low Density Polyethylene  
COLOR\*: Red



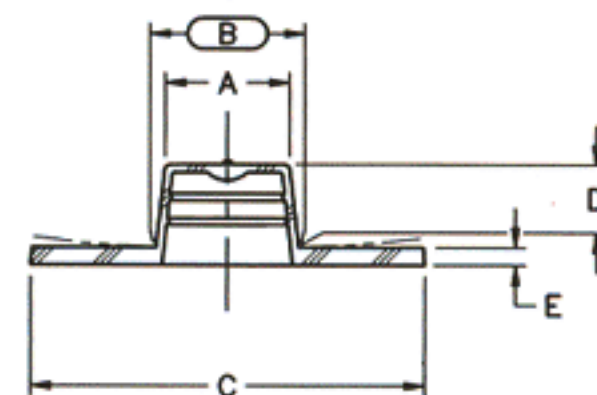
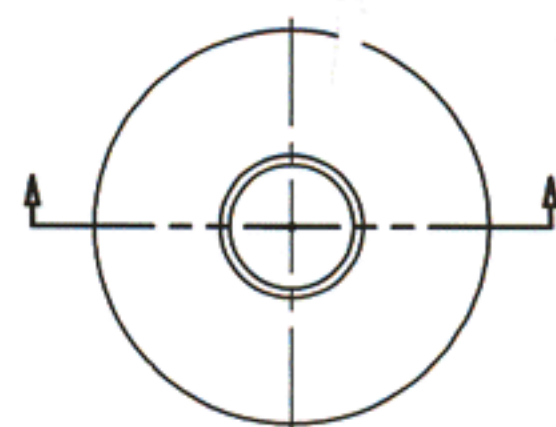
## WWX Series Tapered Plugs with Extra-Wide, Extra-Thick Flanges



Accepted by the aircraft industry, Series WWX has an extra-wide flange providing extended visibility. This dummy-proof design prevents the mating component from being installed without first removing the plug. Available in thirteen sizes, this versatile part may easily be used as a cap or plug depending on application.



MATERIAL: Low Density Polyethylene  
COLOR\*: Yellow





# non-threaded PLUGS



**WHEN PLUGGING**  
"B" Dim. must be at least 1% larger than hole to be plugged. Minimum .020".

## W Series

| Dimensions |       |       |       |       |       |       |       |     |       |      |       | Packaging                    |     |                   | Caplug No. |               |
|------------|-------|-------|-------|-------|-------|-------|-------|-----|-------|------|-------|------------------------------|-----|-------------------|------------|---------------|
| A          |       | B     |       | C     |       | D     |       | E   |       | F    |       | Standard Carton              |     | Mini Pak Quantity |            |               |
| in         | mm    | in    | mm    | in    | mm    | in    | mm    | in  | mm    | in   | mm    | Shipping Wt.(Approx.)<br>lbs | kgs |                   |            | No. of Pieces |
| .173       | 4.39  | .240  | 6.10  | .111  | 2.82  | .177  | 4.50  | .38 | 9.65  | .56  | 14.22 | 3                            | 1.3 | 5000              | 1000       | W-0           |
| .240       | 6.10  | .315  | 8.00  | .183  | 4.65  | .245  | 6.22  | .36 | 9.14  | .62  | 15.75 | 4                            | 1.8 | 5000              | 1000       | W-1           |
| .302       | 7.67  | .375  | 9.53  | .240  | 6.10  | .303  | 7.70  | .38 | 9.65  | .69  | 17.53 | 5                            | 2.2 | 5000              | 1000       | W-2           |
| .360       | 9.14  | .425  | 10.80 | .298  | 7.57  | .363  | 9.22  | .38 | 9.65  | .75  | 19.05 | 6                            | 2.7 | 5000              | 1000       | W-3           |
| .425       | 10.80 | .480  | 12.19 | .363  | 9.22  | .418  | 10.62 | .38 | 9.65  | .81  | 20.57 | 7                            | 3.1 | 5000              | 1000       | W-4           |
| .472       | 11.99 | .540  | 13.72 | .410  | 10.41 | .478  | 12.14 | .44 | 11.18 | .88  | 22.35 | 8                            | 3.6 | 5000              | 1000       | W-5           |
| .536       | 13.61 | .615  | 15.62 | .474  | 12.04 | .553  | 14.05 | .44 | 11.18 | .94  | 23.88 | 10                           | 4.5 | 5000              | 1000       | W-6           |
| .590       | 14.99 | .670  | 17.02 | .528  | 13.41 | .608  | 15.44 | .50 | 12.70 | 1.00 | 25.40 | 11                           | 4.9 | 5000              | 1000       | W-7           |
| .643       | 16.33 | .726  | 18.44 | .581  | 14.76 | .662  | 16.82 | .50 | 12.70 | 1.03 | 26.16 | 12                           | 5.4 | 5000              | 1000       | W-8           |
| .683       | 17.35 | .785  | 19.94 | .621  | 15.77 | .723  | 18.36 | .53 | 13.46 | 1.13 | 28.70 | 14                           | 6.3 | 5000              | 1000       | W-9           |
| .765       | 19.43 | .865  | 21.97 | .703  | 17.86 | .803  | 20.40 | .56 | 14.22 | 1.19 | 30.23 | 15                           | 6.8 | 5000              | 1000       | W-10          |
| .820       | 20.83 | .930  | 23.62 | .758  | 19.25 | .868  | 22.05 | .59 | 14.99 | 1.25 | 31.75 | 18                           | 8.1 | 5000              | 1000       | W-11          |
| .872       | 22.15 | .977  | 24.82 | .810  | 20.57 | .916  | 23.27 | .59 | 14.99 | 1.31 | 33.28 | 11                           | 4.9 | 2500              | 500        | W-12          |
| .975       | 24.77 | 1.104 | 28.04 | .913  | 23.19 | 1.042 | 26.47 | .72 | 18.29 | 1.44 | 36.58 | 14                           | 6.3 | 2500              | 500        | W-13          |
| 1.158      | 29.41 | 1.275 | 32.39 | 1.096 | 27.84 | 1.213 | 30.81 | .72 | 18.29 | 1.56 | 39.63 | 15                           | 6.8 | 2500              | 500        | W-14          |
| 1.175      | 29.85 | 1.284 | 32.61 | 1.120 | 28.45 | 1.229 | 31.22 | .63 | 16.00 | 1.67 | 42.42 | 14                           | 6.3 | 2500              | 500        | W-14X         |
| 1.243      | 31.57 | 1.375 | 34.93 | 1.181 | 30.00 | 1.313 | 33.35 | .72 | 18.29 | 1.69 | 42.93 | 17                           | 7.6 | 2500              | 500        | W-15          |
| 1.312      | 33.33 | 1.475 | 37.47 | 1.250 | 31.75 | 1.413 | 35.89 | .88 | 22.35 | 1.81 | 45.98 | 9                            | 4.0 | 1000              | 200        | W-16          |
| 1.455      | 36.96 | 1.615 | 41.02 | 1.393 | 35.38 | 1.553 | 39.45 | .72 | 18.29 | 1.94 | 49.28 | 9                            | 4.0 | 1000              | 200        | W-17          |
| 1.575      | 40.01 | 1.685 | 42.80 | 1.513 | 38.43 | 1.623 | 41.23 | .69 | 17.53 | 2.00 | 50.80 | 10                           | 4.5 | 1000              | 200        | W-18          |
| 1.735      | 44.07 | 1.900 | 48.26 | 1.673 | 42.50 | 1.838 | 46.69 | .72 | 18.29 | 2.22 | 56.39 | 12                           | 5.4 | 1000              | 200        | W-19          |
| 1.810      | 45.98 | 1.950 | 49.53 | 1.748 | 44.40 | 1.888 | 47.96 | .69 | 17.53 | 2.31 | 58.68 | 13                           | 5.8 | 1000              | 200        | W-20          |
| 1.945      | 49.40 | 2.100 | 53.34 | 1.883 | 47.83 | 2.038 | 51.77 | .69 | 17.53 | 2.44 | 61.98 | 14                           | 6.3 | 1000              | 200        | W-21          |

## WWX Series

| Dimensions |        |       |       |      |        |      |       |                        |     | Packaging     |                   |         | Caplug No. |
|------------|--------|-------|-------|------|--------|------|-------|------------------------|-----|---------------|-------------------|---------|------------|
| A          |        | B     |       | C    |        | D    |       | Shipping Wt. (Approx.) |     | No. of Pieces | Mini Pak Quantity |         |            |
| in         | mm     | in    | mm    | in   | mm     | in   | mm    | lbs                    | kgs |               |                   |         |            |
| 0.628      | 15.950 | 0.725 | 18.42 | 2.23 | 56.64  | 0.44 | 11.18 | 14                     | 6.4 | 1000          | 200               | WWX-8   |            |
| 0.755      | 19.180 | 0.870 | 22.10 | 2.37 | 60.20  | 0.50 | 12.70 | 15                     | 6.8 | 1000          | 200               | WWX-10  |            |
| 0.867      | 22.020 | 0.975 | 24.77 | 2.48 | 62.99  | 0.56 | 14.22 | 16                     | 7.3 | 1000          | 200               | WWX-12  |            |
| 0.984      | 24.990 | 1.105 | 28.07 | 2.61 | 66.29  | 0.66 | 16.76 | 18                     | 8.2 | 1000          | 200               | WWX-13  |            |
| 1.110      | 28.200 | 1.253 | 31.83 | 2.73 | 69.34  | 0.66 | 16.76 | 11                     | 5.0 | 500           | 100               | WWX-14  |            |
| 1.237      | 31.420 | 1.382 | 35.10 | 2.88 | 73.15  | 0.66 | 16.76 | 18                     | 8.2 | 800           | 160               | WWX-15  |            |
| 1.312      | 33.320 | 1.465 | 37.21 | 2.97 | 75.44  | 0.66 | 16.76 | 19                     | 8.6 | 800           | 160               | WWX-16  |            |
| 1.452      | 36.880 | 1.603 | 40.72 | 3.10 | 78.74  | 0.66 | 16.76 | 18                     | 8.2 | 700           | 140               | WWX-17  |            |
| 1.580      | 40.130 | 1.714 | 43.54 | 3.21 | 81.53  | 0.66 | 16.76 | 19                     | 8.6 | 700           | 140               | WWX-18  |            |
| 1.927      | 48.950 | 2.058 | 52.27 | 3.56 | 90.42  | 0.66 | 16.76 | 19                     | 8.6 | 600           | 120               | WWX-21  |            |
| 2.120      | 53.850 | 2.290 | 58.17 | 3.79 | 96.27  | 1.00 | 25.40 | 12                     | 5.4 | 300           | 60                | WWX-230 |            |
| 2.395      | 60.830 | 2.602 | 66.09 | 4.10 | 104.14 | 1.13 | 28.70 | 10                     | 4.5 | 200           | 40                | WWX-250 |            |
| 2.638      | 67.010 | 2.795 | 70.99 | 4.26 | 108.20 | 1.13 | 28.70 | 11                     | 5.0 | 200           | 40                | WWX-44  |            |





# PLUGS non-threaded

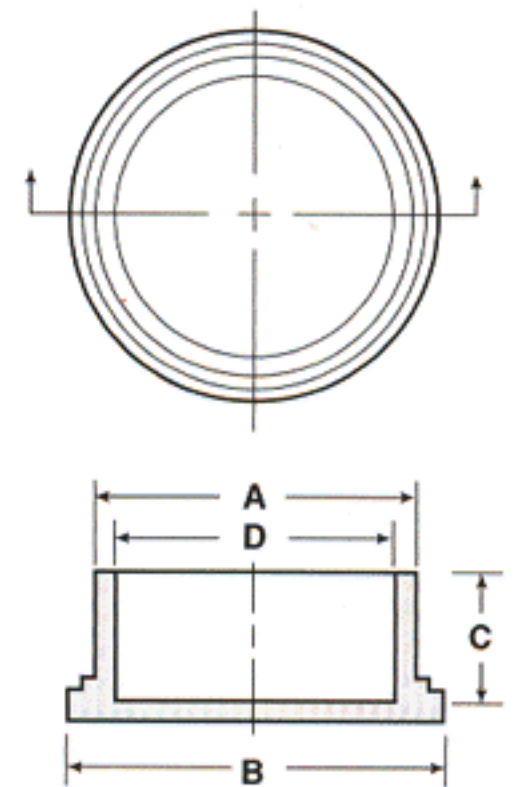
## EP Series Plugs for Threaded Connectors



Made to serve as dust and protective closures for threaded connectors, Series EP Plugs are designed for easy application and removal in areas not readily accessible. They can be installed to fit threaded or smooth cylindrical surfaces.



**MATERIAL:** Low Density Polyethylene  
**COLOR\*:** Yellow



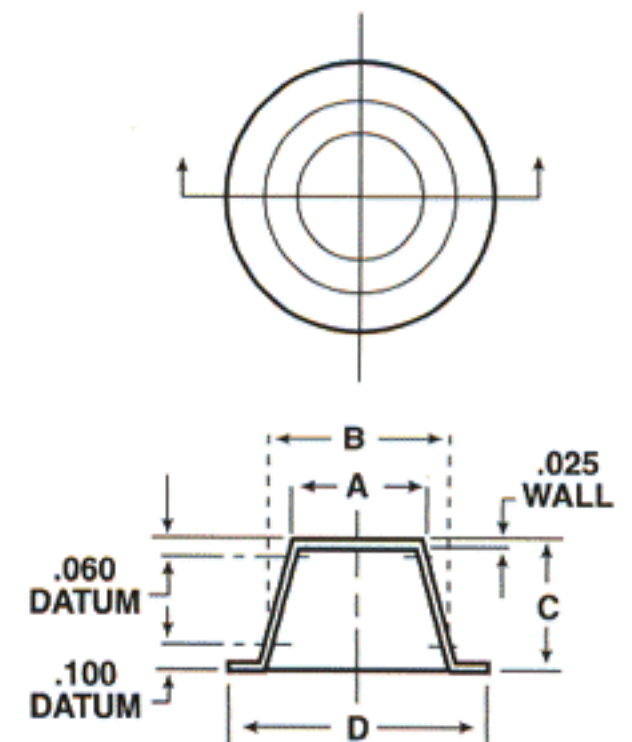
## PTP Series Tapered Paper Plugs



Manufactured from natural paper which is 100% recyclable, PTP Series Paper Plugs are the answer for applications requiring "environmentally-friendly" components. The special paper used in the manufacture of Paper Capplugs is formulated from a blend of 90% virgin pulp and 10% post-consumer recycled paper. These closures will withstand temperatures up to 400°F (204°C), making them ideal for high-temperature applications which may degrade typical plastic plugs. The flexibility and tapered design of the PTP Series allow quick, easy installation and removal.

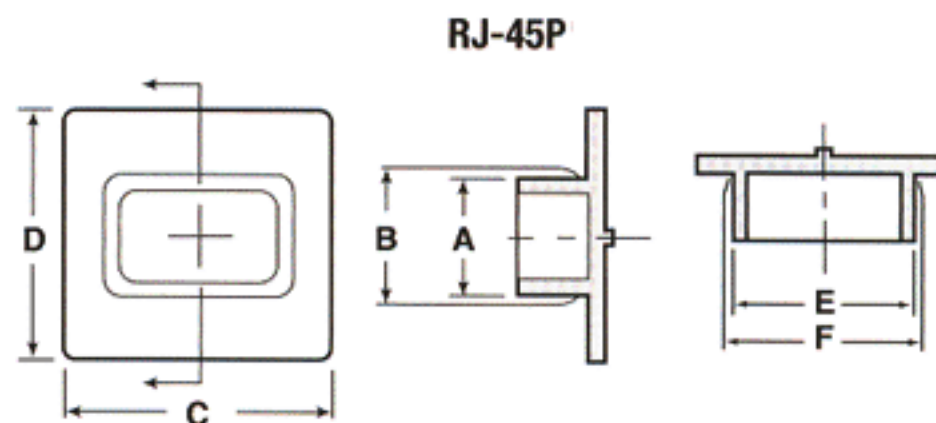
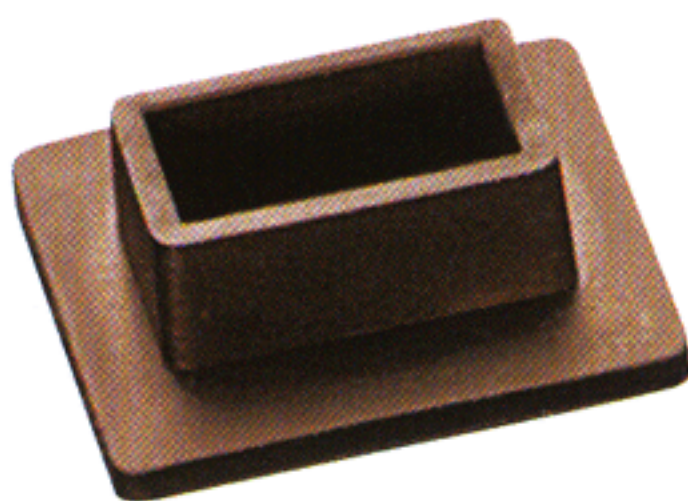


**MATERIAL:** 90 lb. Paperboard  
**COLOR:** Natural



## RJ Series Telephone Jack Plug

Contact factory for information on black conductive polyethylene plugs for protecting RJ telephone-type connecting jacks on computers.



**MATERIAL:** Conductive Polyethylene  
**COLOR:** Black



# non-threaded PLUGS



Specs.: MS-90376, NAS-820, NAS-837

## EP Series

| Dimensions         |       |       |      |       |     |       |      |       |                               | Packaging |                   |               |       | Caplug No. |
|--------------------|-------|-------|------|-------|-----|-------|------|-------|-------------------------------|-----------|-------------------|---------------|-------|------------|
| To Fit Thread Size | A     |       | B    |       | C   |       | D    |       | Standard Carton               |           | Mini Pak Quantity |               |       |            |
|                    | in    | mm    | in   | mm    | in  | mm    | in   | mm    | Shipping Wt. (Approx.)<br>lbs | kgs       |                   | No. of Pieces |       |            |
| 1/2-28             | 0.483 | 12.27 | 0.67 | 17.02 | .63 | 16.00 | 0.41 | 10.41 | 10                            | 4.5       | 5000              | 1000          | EP-8  |            |
| 5/8-24             | 0.595 | 15.11 | 0.75 | 19.05 | .63 | 16.00 | 0.53 | 13.46 | 11                            | 4.9       | 5000              | 1000          | EP-10 |            |
| 3/4-20             | 0.715 | 18.16 | 0.86 | 21.84 | .63 | 16.00 | 0.66 | 16.76 | 17                            | 7.6       | 5000              | 1000          | EP-12 |            |
| 7/8-20             | 0.845 | 21.46 | 1.03 | 26.16 | .63 | 16.00 | 0.79 | 20.07 | 20                            | 9         | 5000              | 1000          | EP-14 |            |
| 1-20               | 0.963 | 24.46 | 1.12 | 28.45 | .63 | 16.00 | 0.89 | 22.61 | 11                            | 4.9       | 2500              | 500           | EP-16 |            |
| 1 1/8-18           | 1.088 | 27.64 | 1.25 | 31.75 | .63 | 16.00 | 1.03 | 26.16 | 13                            | 5.8       | 2500              | 500           | EP-18 |            |
| 1 1/4-18           | 1.215 | 30.86 | 1.40 | 35.56 | .63 | 16.00 | 1.15 | 29.21 | 14                            | 6.3       | 2500              | 500           | EP-20 |            |
| 1 3/8-18           | 1.340 | 34.04 | 1.50 | 38.10 | .63 | 16.00 | 1.27 | 32.26 | 16                            | 7.2       | 2500              | 500           | EP-22 |            |
| 1 1/2-18           | 1.460 | 37.08 | 1.64 | 41.66 | .55 | 13.97 | 1.39 | 35.31 | 8                             | 3.6       | 1000              | 200           | EP-24 |            |
| 1 5/8-16           | 1.580 | 40.13 | 1.81 | 45.98 | .63 | 16.00 | 1.54 | 39.12 | 10                            | 4.5       | 1000              | 200           | EP-25 |            |
| 1 3/4-18           | 1.718 | 43.64 | 1.87 | 47.49 | .63 | 16.00 | 1.65 | 42.67 | 11                            | 4.9       | 1000              | 200           | EP-28 |            |
| 2-18               | 1.970 | 50.04 | 2.13 | 54.10 | .63 | 16.00 | 1.89 | 48.01 | 12                            | 5.4       | 1000              | 200           | EP-32 |            |
| 2 1/4-16           | 2.210 | 56.13 | 2.34 | 59.44 | .63 | 16.00 | 2.14 | 54.36 | 15                            | 6.8       | 1000              | 200           | EP-36 |            |
| 2 1/2-16           | 2.450 | 62.23 | 2.60 | 66.04 | .63 | 16.00 | 2.38 | 60.45 | 18                            | 8.1       | 1000              | 200           | EP-40 |            |

## PTP Series

| Dimensions             |       |       |       |       |     |       |      |        |                               | Packaging |                   |               |           | Caplug No. |
|------------------------|-------|-------|-------|-------|-----|-------|------|--------|-------------------------------|-----------|-------------------|---------------|-----------|------------|
| To Fit Inside Diameter | A     |       | B     |       | C   |       | D    |        | Standard Carton               |           | Mini Pak Quantity |               |           |            |
|                        | in    | mm    | in    | mm    | in  | mm    | in   | mm     | Shipping Wt. (Approx.)<br>lbs | kgs       |                   | No. of Pieces |           |            |
| 1/8                    | .344  | 8.74  | .418  | 10.62 | .39 | 9.91  | .5   | 12.70  | 17                            | 7.6       | 30000             | 1000          | PTP-18-3  |            |
| 1/4                    | .451  | 11.46 | .502  | 12.75 | .39 | 9.91  | .67  | 17.02  | 13                            | 5.9       | 18000             | 1000          | PTP-14-3  |            |
| 3/8                    | .584  | 14.83 | .738  | 18.75 | .53 | 13.46 | .87  | 22.10  | 19                            | 8.6       | 16000             | 1000          | PTP-38-3  |            |
| 1/2                    | .702  | 17.83 | .896  | 22.76 | .54 | 13.72 | 1.09 | 27.69  | 17                            | 7.7       | 10500             | 1000          | PTP-12-3  |            |
| 3/4                    | .921  | 23.39 | 1.124 | 28.55 | .56 | 14.22 | 1.34 | 34.04  | 14                            | 6.4       | 6200              | 1000          | PTP-34-3  |            |
| 1                      | 1.175 | 29.85 | 1.471 | 37.36 | .63 | 16.00 | 1.79 | 45.47  | 17                            | 7.7       | 5000              | 1000          | PTP-100-3 |            |
| 1 1/4                  | 1.504 | 38.20 | 1.863 | 47.32 | .69 | 17.53 | 2.21 | 56.14  | 15                            | 6.8       | 3000              | 600           | PTP-114-3 |            |
| 1 1/2                  | 1.717 | 43.61 | 2.096 | 53.24 | .67 | 17.02 | 2.43 | 61.72  | 15                            | 6.8       | 2700              | 540           | PTP-112-3 |            |
| 2                      | 2.198 | 55.83 | 2.485 | 63.12 | .70 | 17.78 | 2.79 | 70.87  | 14                            | 6.4       | 1800              | 360           | PTP-200-3 |            |
| 2 1/2                  | 2.628 | 66.75 | 3.188 | 80.98 | .69 | 17.53 | 3.68 | 93.48  | 14                            | 6.4       | 1300              | 260           | PTP-212-3 |            |
| 3                      | 3.145 | 79.89 | 3.772 | 95.81 | .70 | 17.78 | 4.28 | 108.72 | 14                            | 6.4       | 1000              | 200           | PTP-300-3 |            |

## RJ Series

| Dimensions |      |      |      |      |       |      |       |       |       | Packaging |       |                              |     | Caplug No. |                   |               |
|------------|------|------|------|------|-------|------|-------|-------|-------|-----------|-------|------------------------------|-----|------------|-------------------|---------------|
| A          |      | B    |      | C    |       | D    |       | E     |       | F         |       | Standard Carton              |     |            | Mini Pak Quantity |               |
| in         | mm   | in   | mm   | in   | mm    | in   | mm    | in    | mm    | in        | mm    | Shipping Wt.(Approx.)<br>lbs | kgs |            |                   | No. of Pieces |
| 0.27       | 6.86 | 0.28 | 7.11 | 0.62 | 15.75 | 0.57 | 14.48 | 0.435 | 11.05 | 0.445     | 11.30 | 4                            | 1.8 | 2500       | 500               | RJ-45P        |



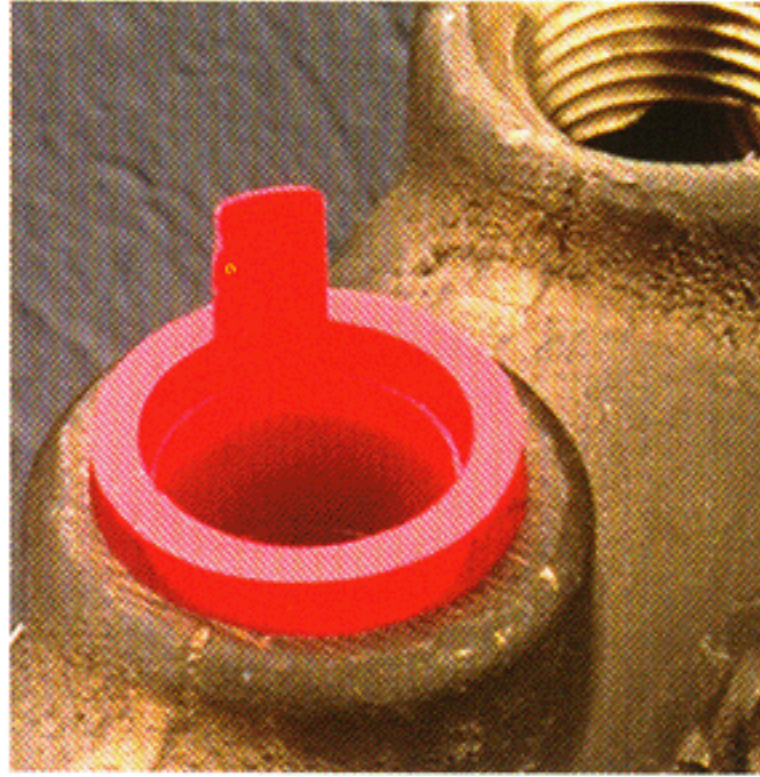


# PLUGS non-threaded

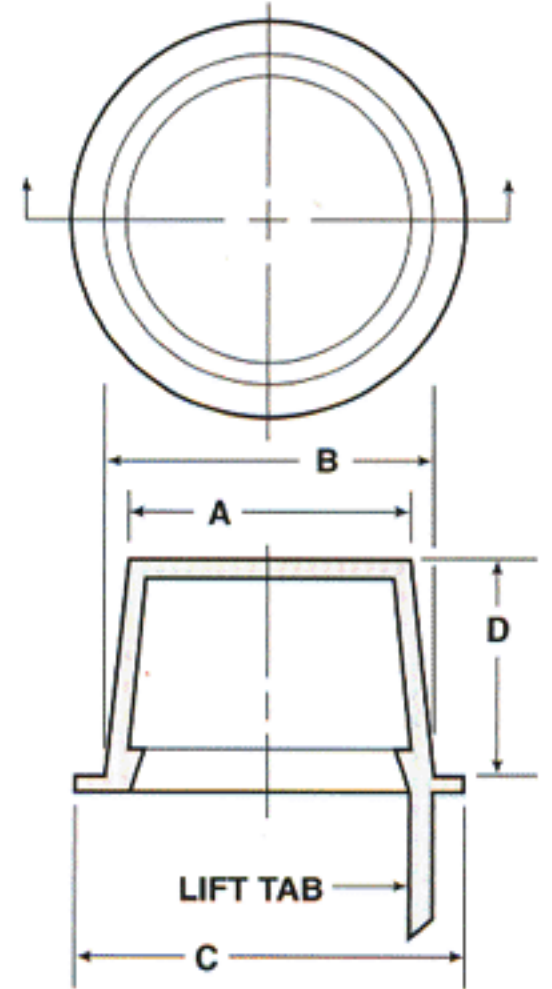
## L Series Lift-Tab Tapered Plugs



Having the same dimensions as standard Tapered Capplugs of like size, Series L Plugs offer the added convenience of an integral lift-tab which facilitates their removal. Since it extends above the plug body, the tab is easy to grasp. This is particularly advantageous with plugs in the smaller sizes and those installed in tight quarters or difficult to reach locations. A bead molded on the tab affords a positive grip. Pulling the tab exerts an off-center force which breaks the seal between plug and wall of opening, permitting instant withdrawal.



**MATERIAL:** Low Density Polyethylene  
**COLOR\*:** Red



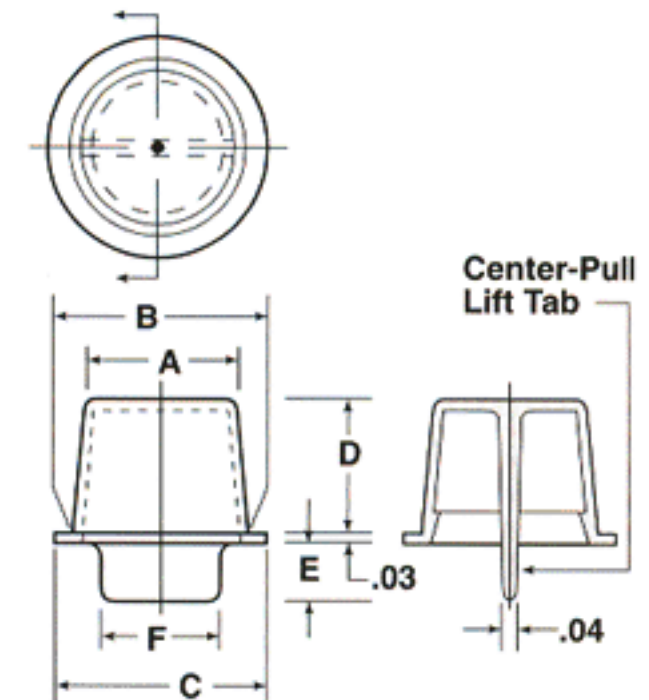
## CPT Series Center-Pull Tab Tapered Plugs



Series CPT Plugs have the same configuration and dimensions of standard Tapered Capplugs but with an integral center-pull tab which facilitates insertion and removal of the plug. The tab extends well above the plug body, making it easy to grasp. Since the tab is molded fully into the end and side walls of the plug, it will not break off during plug removal. The concentric design of the CPT allows a straight-pull removal without disturbing O-ring fittings.



**MATERIAL:** Low Density Polyethylene  
**COLOR\*:** Red



EXPANDED





## L Series

| Dimensions |       |       |       |      |       |      |       | Packaging                    |     |                   |               | Caplug No. |
|------------|-------|-------|-------|------|-------|------|-------|------------------------------|-----|-------------------|---------------|------------|
| A          |       | B     |       | C    |       | D    |       | Standard Carton              |     | Mini Pak Quantity |               |            |
| in         | mm    | in    | mm    | in   | mm    | in   | mm    | Shipping Wt.(Approx.)<br>lbs | kgs |                   | No. of Pieces |            |
| .236       | 5.99  | .302  | 7.67  | .44  | 11.18 | .38  | 9.65  | 3                            | 1.3 | 5000              | 1000          | L-1        |
| .267       | 6.78  | .335  | 8.51  | .47  | 11.94 | .38  | 9.65  | 3                            | 1.3 | 5000              | 1000          | L-1X       |
| .299       | 7.59  | .365  | 9.27  | .50  | 12.70 | .38  | 9.65  | 4                            | 1.8 | 5000              | 1000          | L-2        |
| .330       | 8.38  | .396  | 10.06 | .53  | 13.46 | .38  | 9.65  | 5                            | 2.2 | 5000              | 1000          | L-2X       |
| .361       | 9.17  | .427  | 10.85 | .56  | 14.22 | .38  | 9.65  | 4                            | 1.8 | 5000              | 1000          | L-3        |
| .390       | 9.91  | .456  | 11.58 | .59  | 14.99 | .38  | 9.65  | 4                            | 1.8 | 5000              | 1000          | L-3X       |
| .419       | 10.64 | .485  | 12.32 | .62  | 15.75 | .38  | 9.65  | 6                            | 2.7 | 5000              | 1000          | L-4        |
| .447       | 11.35 | .513  | 13.03 | .66  | 16.76 | .38  | 9.65  | 6                            | 2.7 | 5000              | 1000          | L-4X       |
| .471       | 11.96 | .547  | 13.89 | .69  | 17.53 | .44  | 11.18 | 6                            | 2.7 | 5000              | 1000          | L-5        |
| .500       | 12.70 | .576  | 14.63 | .72  | 18.29 | .44  | 11.18 | 8                            | 3.6 | 5000              | 1000          | L-5X       |
| .532       | 13.51 | .608  | 15.44 | .75  | 19.05 | .44  | 11.18 | 7                            | 3.1 | 5000              | 1000          | L-6        |
| .550       | 13.97 | .631  | 16.03 | .75  | 19.05 | .47  | 11.94 | 9                            | 4.0 | 5000              | 1000          | L-6X       |
| .580       | 14.73 | .667  | 16.94 | .81  | 20.57 | .50  | 12.70 | 8                            | 3.6 | 5000              | 1000          | L-7        |
| .610       | 15.49 | .695  | 17.65 | .84  | 21.34 | .50  | 12.70 | 10                           | 4.5 | 5000              | 1000          | L-7X       |
| .640       | 16.26 | .727  | 18.47 | .88  | 22.35 | .50  | 12.70 | 10                           | 4.5 | 5000              | 1000          | L-8        |
| .675       | 17.15 | .755  | 19.18 | .88  | 22.35 | .50  | 12.70 | 11                           | 4.9 | 5000              | 1000          | L-8X       |
| .690       | 17.53 | .788  | 20.02 | .94  | 23.88 | .56  | 14.22 | 13                           | 5.8 | 5000              | 1000          | L-9        |
| .725       | 18.42 | .823  | 20.91 | .97  | 24.64 | .56  | 14.22 | 13                           | 5.8 | 5000              | 1000          | L-9X       |
| .750       | 19.05 | .848  | 21.54 | 1.00 | 25.40 | .56  | 14.22 | 13                           | 5.8 | 5000              | 1000          | L-10       |
| .802       | 20.37 | .911  | 23.14 | 1.06 | 26.93 | .62  | 15.75 | 16                           | 7.2 | 5000              | 1000          | L-11       |
| .815       | 20.70 | .930  | 23.62 | 1.09 | 27.69 | .62  | 15.75 | 16                           | 7.2 | 5000              | 1000          | L-11X      |
| .866       | 21.99 | .975  | 24.77 | 1.12 | 28.45 | .62  | 15.75 | 15                           | 6.8 | 5000              | 1000          | L-12       |
| .915       | 23.24 | 1.040 | 26.42 | 1.16 | 29.47 | .68  | 17.27 | 15                           | 6.8 | 5000              | 1000          | L-12X      |
| .960       | 24.38 | 1.047 | 26.59 | 1.19 | 30.23 | .50  | 12.70 | 18                           | 8.2 | 5000              | 1000          | L-13A      |
| .964       | 24.49 | 1.090 | 27.69 | 1.25 | 31.75 | .75  | 19.05 | 13                           | 5.8 | 2500              | 500           | L-13       |
| .995       | 25.27 | 1.145 | 29.08 | 1.31 | 33.28 | .75  | 19.05 | 13                           | 5.8 | 2500              | 500           | L-13X      |
| 1.094      | 27.79 | 1.215 | 30.86 | 1.41 | 35.82 | .75  | 19.05 | 14                           | 6.3 | 2500              | 500           | L-14       |
| 1.175      | 29.85 | 1.284 | 32.61 | 1.44 | 36.58 | .62  | 15.75 | 13                           | 5.8 | 2500              | 500           | L-14X      |
| 1.235      | 31.37 | 1.360 | 34.55 | 1.50 | 38.10 | .81  | 20.57 | 17                           | 7.6 | 2500              | 500           | L-15X      |
| 1.312      | 33.33 | 1.465 | 37.21 | 1.62 | 41.15 | .88  | 22.35 | 8                            | 3.6 | 1000              | 200           | L-16       |
| 1.447      | 36.76 | 1.600 | 40.64 | 1.75 | 44.45 | .88  | 22.35 | 9                            | 4.0 | 1000              | 200           | L-17       |
| 1.560      | 39.63 | 1.682 | 42.72 | 1.88 | 47.75 | .75  | 19.05 | 10                           | 4.5 | 1000              | 200           | L-18       |
| 1.630      | 41.40 | 1.750 | 44.45 | 1.94 | 49.28 | .75  | 19.05 | 10                           | 4.5 | 1000              | 200           | L-18X      |
| 1.750      | 44.45 | 1.880 | 47.75 | 2.00 | 50.80 | .75  | 19.05 | 9                            | 4.0 | 1000              | 200           | L-19       |
| 1.780      | 45.21 | 1.950 | 49.53 | 2.12 | 53.85 | 1.00 | 25.40 | 10                           | 4.5 | 1000              | 200           | L-20       |
| 1.844      | 46.84 | 2.000 | 50.80 | 2.12 | 53.85 | 1.00 | 25.40 | 11                           | 4.9 | 1000              | 200           | L-210      |
| 1.900      | 48.26 | 2.076 | 52.73 | 2.25 | 57.15 | 1.00 | 25.40 | 13                           | 5.8 | 1000              | 200           | L-21       |

## CPT Series

| Dimensions |       |       |       |      |       |     |       |     |       |     |       | Packaging                    |      |                   |               | Caplug No. |
|------------|-------|-------|-------|------|-------|-----|-------|-----|-------|-----|-------|------------------------------|------|-------------------|---------------|------------|
| A          |       | B     |       | C    |       | D   |       | E   |       | F   |       | Standard Carton              |      | Mini Pak Quantity |               |            |
| in         | mm    | in    | mm    | in   | mm    | in  | mm    | in  | mm    | in  | mm    | Shipping Wt.(Approx.)<br>lbs | kgs  |                   | No. of Pieces |            |
| .236       | 5.99  | .302  | 7.67  | .44  | 11.18 | .38 | 9.65  | .38 | 9.65  | .13 | 3.30  | 5                            | 2.3  | 5000              | 1000          | CPT-1      |
| .299       | 7.59  | .365  | 9.27  | .50  | 12.70 | .38 | 9.65  | .38 | 9.65  | .19 | 4.83  | 6                            | 2.7  | 5000              | 1000          | CPT-2      |
| .330       | 8.38  | .396  | 10.06 | .53  | 13.46 | .38 | 9.65  | .38 | 9.65  | .23 | 5.84  | 6                            | 2.7  | 5000              | 1000          | CPT-2X     |
| .330       | 8.38  | .396  | 10.06 | .73  | 18.54 | .38 | 9.65  | .38 | 9.65  | .23 | 5.84  | 7                            | 3.2  | 5000              | 1000          | CPT-2XW    |
| .361       | 9.17  | .427  | 10.85 | .56  | 14.22 | .38 | 9.65  | .38 | 9.65  | .25 | 6.35  | 7                            | 3.2  | 5000              | 1000          | CPT-3      |
| .419       | 10.64 | .485  | 12.32 | .62  | 15.75 | .38 | 9.65  | .38 | 9.65  | .31 | 7.87  | 8                            | 3.6  | 5000              | 1000          | CPT-4      |
| .465       | 11.81 | .524  | 13.31 | .76  | 19.30 | .38 | 9.65  | .38 | 9.65  | .33 | 8.38  | 9                            | 4.1  | 5000              | 1000          | CPT-4X     |
| .471       | 11.96 | .547  | 13.89 | .69  | 17.53 | .44 | 11.18 | .38 | 9.65  | .37 | 9.40  | 9                            | 4.1  | 5000              | 1000          | CPT-5      |
| .532       | 13.51 | .608  | 15.44 | .75  | 19.05 | .44 | 11.18 | .31 | 7.87  | .43 | 10.92 | 10                           | 4.5  | 5000              | 1000          | CPT-6      |
| .550       | 13.97 | .631  | 16.03 | .75  | 19.05 | .47 | 11.94 | .25 | 6.35  | .45 | 11.43 | 11                           | 5.0  | 5000              | 1000          | CPT-6X     |
| .690       | 17.53 | .788  | 20.02 | .94  | 23.88 | .56 | 14.22 | .25 | 6.35  | .50 | 12.70 | 15                           | 6.8  | 5000              | 1000          | CPT-9      |
| .915       | 23.24 | 1.040 | 26.41 | 1.16 | 29.46 | .68 | 17.46 | .25 | 6.35  | .50 | 12.70 | 24                           | 10.9 | 5000              | 1000          | CPT-12X    |
| 1.150      | 29.21 | 1.274 | 32.36 | 1.55 | 39.37 | .50 | 12.70 | .50 | 12.70 | .82 | 20.83 | 15                           | 6.8  | 2000              | 400           | CPT-14X    |
| 2.230      | 56.64 | 2.270 | 57.66 | 2.50 | 63.50 | .50 | 12.70 | .21 | 5.33  | .80 | 20.32 | 12                           | 5.4  | 1000              | 200           | CPT-24S    |





# PLUGS non-threaded

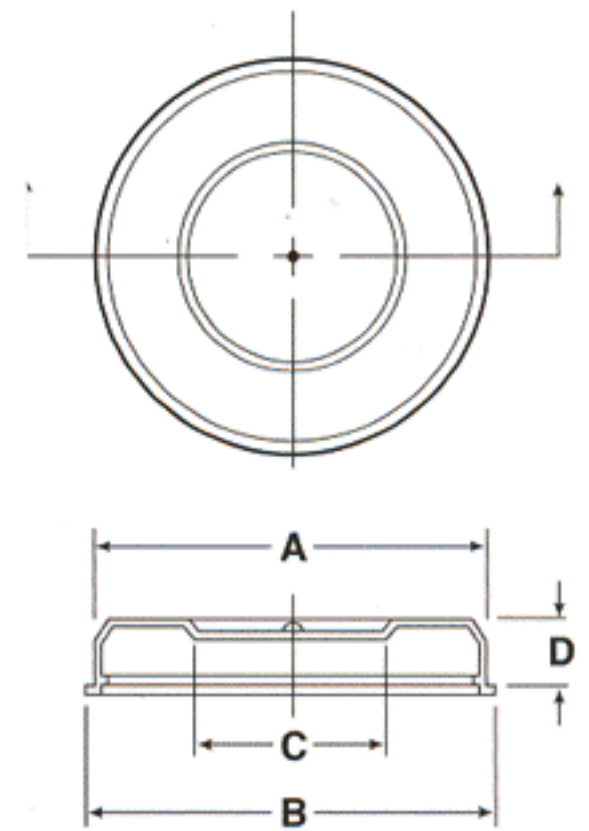
## STP Series Shallow Tube Plugs For Packaging Tubes



Series STP Shallow Tube Plugs are an ideal closure for container tubes used for packaging, shipping or mailing. They are designed to fit snugly in the tube end. The narrow flange ensures that there is no over-hanging projection to catch on other tubes.



MATERIAL: Low Density Polyethylene  
COLOR\*: White



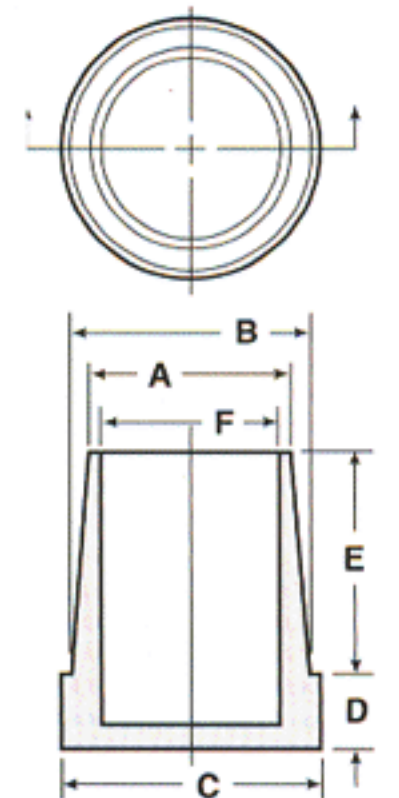
## K Series Plugs For Round Tubing



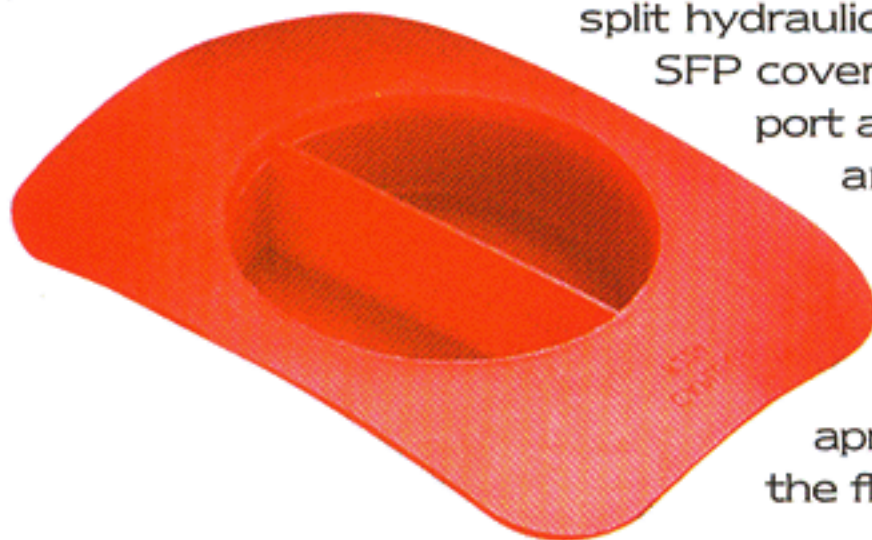
Series K Tubing Plugs are especially designed for applications where the outside diameter of the closure should not exceed the outside diameter of the tubing. Flanges fit flush with outer walls of tubing, providing positive protection against moisture and dirt. Especially suitable for general purpose, Type K copper tubing, SAE Standard, J-528.



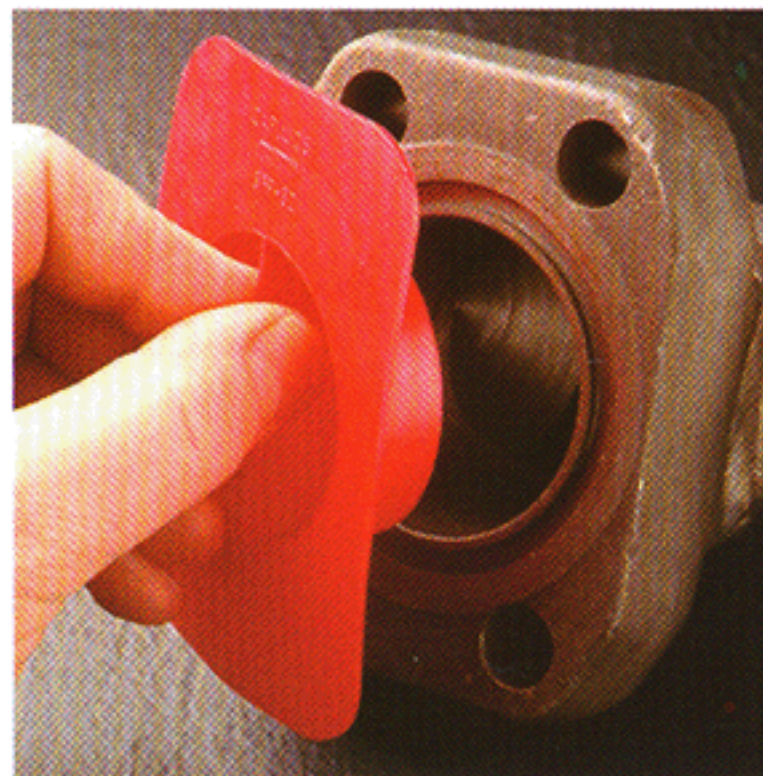
MATERIAL: Low Density Polyethylene  
COLOR\*: Red



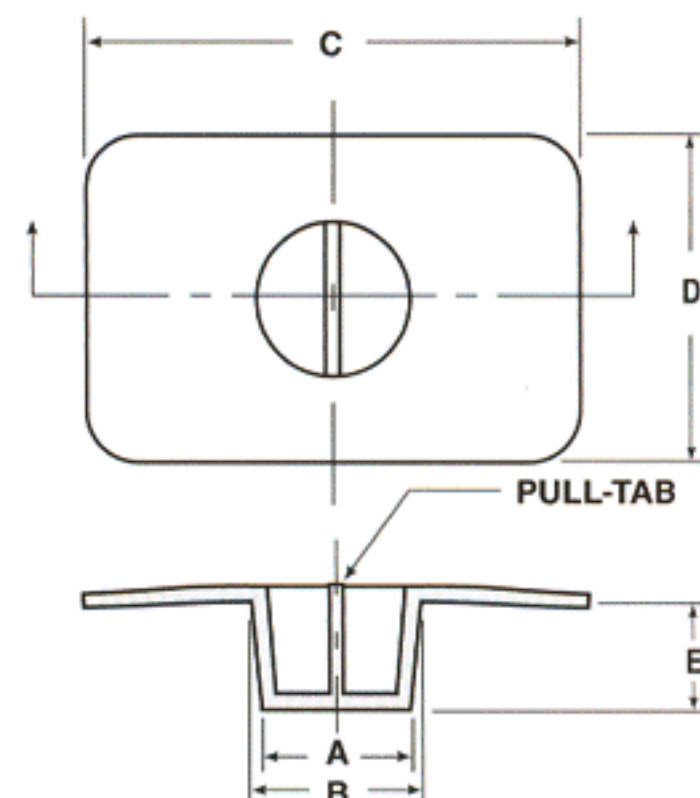
## SFP Series Covers for Split-Flange Connections



Series SFP Covers are designed for use on SAE 3000 lb., four-bolt, split hydraulic flanges. The SFP cover protects the port and fits snugly and firmly into the opening with an integral surrounding apron protecting the flange surface.



MATERIAL: Low Density Polyethylene  
COLOR\*: Red







## STP Series

| Dimensions |        |      |        |      |       |     |       | Packaging                    |     |                   |               | Caplug No. |
|------------|--------|------|--------|------|-------|-----|-------|------------------------------|-----|-------------------|---------------|------------|
| A          |        | B    |        | C    |       | D   |       | Standard Carton              |     | Mini Pak Quantity |               |            |
| in         | mm     | in   | mm     | in   | mm    | in  | mm    | Shipping Wt.(Approx.)<br>lbs | kgs |                   | No. of Pieces |            |
| 1.52       | 38.61  | 1.62 | 41.15  | 1.00 | 25.40 | .46 | 11.68 | 15                           | 6.8 | 2500              | 500           | STP-1-1/2  |
| 1.77       | 44.96  | 1.87 | 47.50  | 1.00 | 25.40 | .46 | 11.68 | 17                           | 7.6 | 2500              | 500           | STP-1-3/4  |
| 2.03       | 51.56  | 2.12 | 53.85  | 1.50 | 38.10 | .46 | 11.68 | 12                           | 5.4 | 1000              | 200           | STP-2      |
| 2.53       | 64.26  | 2.63 | 66.80  | 1.50 | 38.10 | .46 | 11.68 | 15                           | 6.8 | 1000              | 200           | STP-2-1/2  |
| 2.78       | 70.61  | 2.88 | 73.15  | 1.50 | 38.10 | .46 | 11.68 | 17                           | 7.6 | 1000              | 200           | STP-2-3/4  |
| 3.03       | 76.97  | 3.16 | 80.27  | 2.00 | 50.80 | .46 | 11.68 | 16                           | 7.2 | 750               | 150           | STP-3      |
| 3.28       | 83.32  | 3.41 | 86.62  | 2.00 | 50.80 | .46 | 11.68 | 12                           | 5.4 | 500               | 100           | STP-3-1/4  |
| 4.05       | 102.87 | 4.17 | 105.92 | 2.00 | 50.80 | .45 | 11.43 | 18                           | 8.1 | 500               | 100           | STP-4      |
| 5.04       | 128.02 | 5.18 | 131.58 | 3.00 | 76.20 | .48 | 12.19 | 15                           | 6.8 | 250               | 50            | STP-5      |
| 6.04       | 153.42 | 6.19 | 157.23 | 3.50 | 88.90 | .48 | 12.19 | 8                            | 3.6 | 100               | 20            | STP-6      |
| 6.11       | 155.20 | 6.26 | 159.01 | 3.50 | 88.90 | .57 | 14.48 | 10                           | 4.5 | 100               | 20            | STP-6-1/16 |

Specs.: MIL-C-5501/8

## K Series

| Will Plug<br>SAE J-528<br>Tubing<br>For O.D.s<br>Listed | Dimensions |       |      |       |     |       |     |      |     |       |     |       | Packaging                    |     |                   |               | Caplug No. |
|---|------------|-------|------|-------|-----|-------|-----|------|-----|-------|-----|-------|------------------------------|-----|-------------------|---------------|------------|
|   | A          |       | B    |       | C   |       | D   |      | E   |       | F   |       | Standard Carton              |     | Mini Pak Quantity |               |            |
|   | in         | mm    | in   | mm    | in  | mm    | in  | mm   | in  | mm    | in  | mm    | Shipping Wt.(Approx.)<br>lbs | kgs |                   | No. of Pieces |            |
| -   | .160       | 4.06  | -    | -     | .22 | 5.59  | .12 | 3.05 | .26 | 6.6   | .10 | 2.64  | 2                            | 0.9 | 5000              | 1000          | K-2.5mm    |
| 3/16  | .105       | 2.67  | .138 | 3.51  | .19 | 4.83  | .19 | 4.83 | .31 | 7.87  | .07 | 1.78  | 2                            | 0.9 | 5000              | 1000          | K-3        |
| 1/4   | .160       | 4.06  | .202 | 5.13  | .24 | 6.10  | .14 | 3.56 | .38 | 9.65  | .13 | 3.30  | 3                            | 1.3 | 5000              | 1000          | K-4        |
| 5/16  | .227       | 5.77  | .272 | 6.91  | .31 | 7.87  | .14 | 3.56 | .38 | 9.65  | .20 | 5.08  | 3                            | 1.3 | 5000              | 1000          | K-5        |
| 3/8   | .290       | 7.37  | .340 | 8.64  | .37 | 9.40  | .16 | 4.06 | .38 | 9.65  | .26 | 6.60  | 4                            | 1.8 | 5000              | 1000          | K-6        |
| 1/2   | .411       | 10.44 | .466 | 11.84 | .50 | 12.70 | .16 | 4.06 | .38 | 9.65  | .38 | 9.65  | 7                            | 3.1 | 5000              | 1000          | K-8        |
| 5/8   | .530       | 13.46 | .587 | 14.91 | .62 | 15.75 | .19 | 4.83 | .56 | 14.22 | .50 | 12.70 | 11                           | 4.9 | 5000              | 1000          | K-10       |
| 3/4   | .650       | 16.51 | .712 | 18.09 | .75 | 19.05 | .19 | 4.83 | .56 | 14.22 | .62 | 15.75 | 14                           | 6.3 | 5000              | 1000          | K-12       |
| -   | .609       | 15.47 | .664 | 16.87 | .73 | 18.54 | .38 | 9.65 | .56 | 14.22 | .58 | 14.73 | 20                           | 9.0 | 5000              | 1000          | K-12S      |

is for fiber optic connectors.

## SFP Series

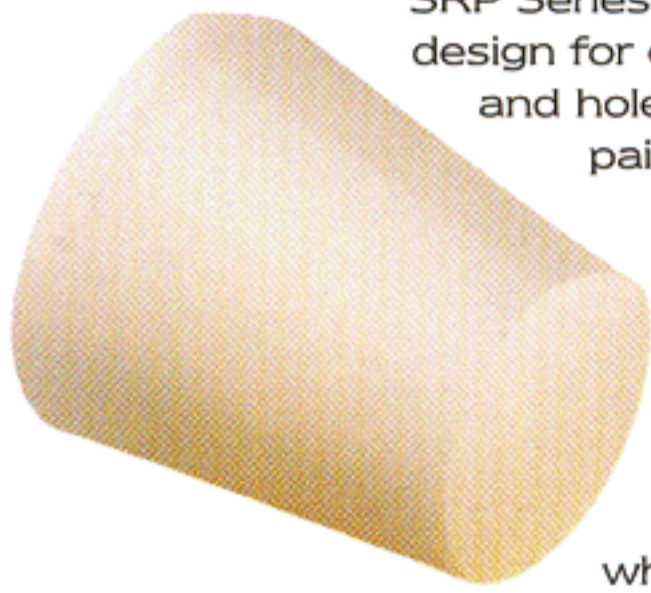
| To Cover<br>Flange<br>Dash Size<br>Inches | To Fit<br>Flange Size | Dimensions |       |      |       |      |        |      |       |     |       | Packaging                    |      |                   |               | Caplug No. |
|---|-----------------------|------------|-------|------|-------|------|--------|------|-------|-----|-------|------------------------------|------|-------------------|---------------|------------|
|   |                       | A          |       | B    |       | C    |        | D    |       | E   |       | Standard Carton              |      | Mini Pak Quantity |               |            |
|   |                       | in         | mm    | in   | mm    | in   | mm     | in   | mm    | in  | mm    | Shipping Wt.(Approx.)<br>lbs | kgs  |                   | No. of Pieces |            |
| -12                                       | 3/4                   | .73        | 18.54 | .79  | 20.07 | 2.56 | 65.03  | 1.62 | 41.15 | .50 | 12.70 | 17                           | 7.6  | 2500              | 500           | SFP-12     |
| -16                                       | 1                     | .98        | 24.89 | 1.04 | 26.42 | 2.75 | 69.85  | 1.88 | 47.75 | .50 | 12.70 | 23                           | 10.3 | 1000              | 200           | SFP-16     |
| -20                                       | 1 1/4                 | 1.23       | 31.24 | 1.29 | 32.77 | 3.12 | 79.25  | 2.00 | 50.80 | .50 | 12.70 | 14                           | 6.3  | 1000              | 200           | SFP-20     |
| -24                                       | 1 1/2                 | 1.46       | 37.09 | 1.55 | 39.37 | 3.69 | 93.73  | 2.38 | 60.45 | .75 | 12.70 | 13                           | 5.8  | 500               | 100           | SFP-24     |
| -32                                       | 2                     | 1.96       | 49.79 | 2.05 | 52.07 | 4.00 | 101.60 | 2.75 | 69.85 | .75 | 12.70 | 15                           | 6.8  | 500               | 100           | SFP-32     |
| -40                                       | 2 1/2                 | 2.46       | 62.49 | 2.55 | 64.77 | 4.50 | 114.30 | 3.25 | 82.55 | .75 | 12.70 | 10                           | 4.5  | 250               | 50            | SFP-40     |



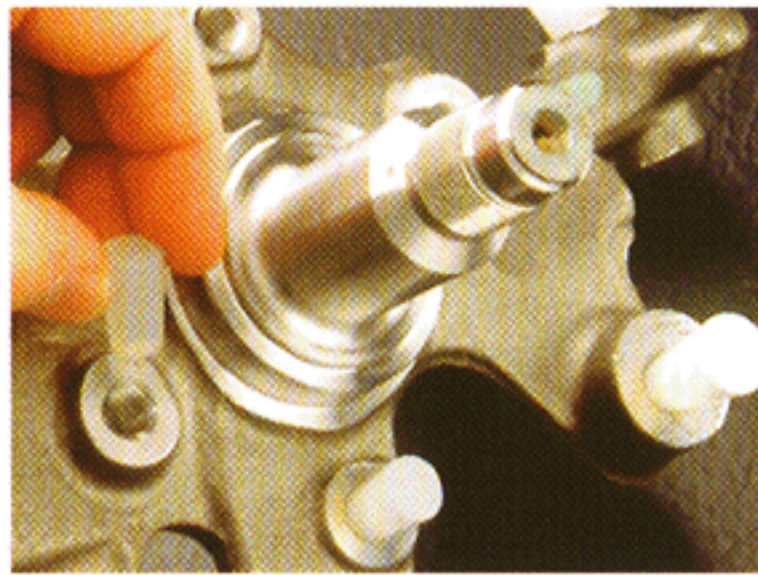


# PLUGS non-threaded

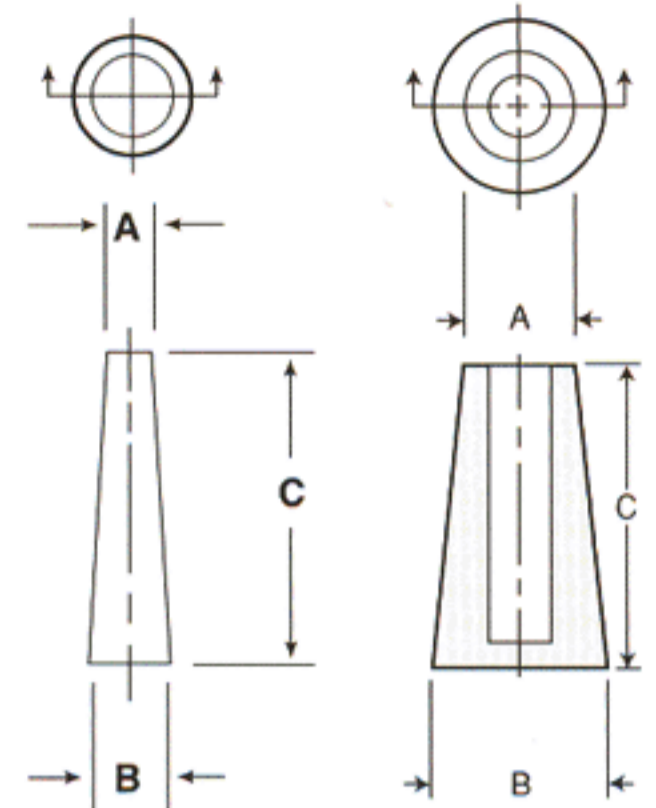
## SRP Series Silicone Rubber Plugs



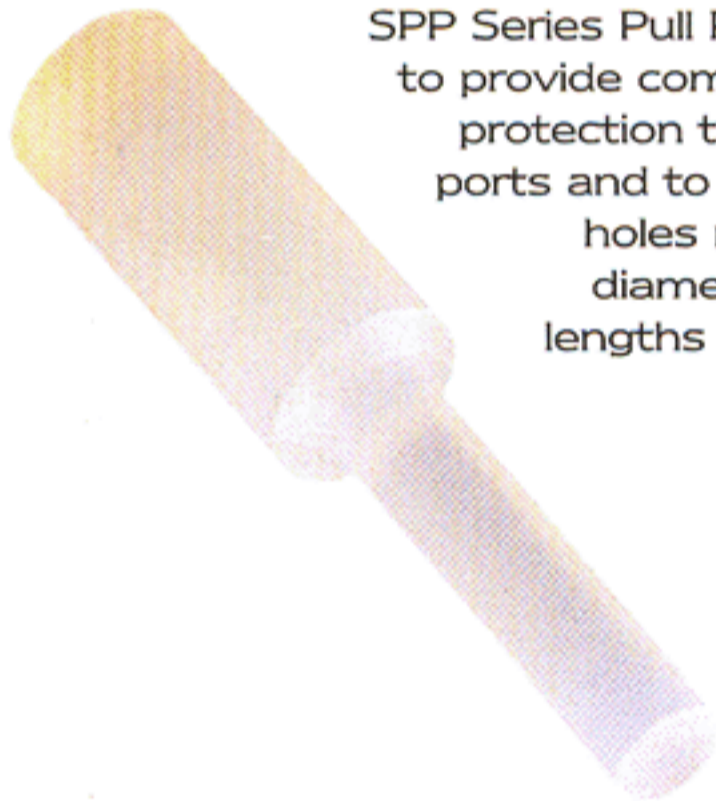
SRP Series Plugs have a tapered design for ease in plugging ports and holes in parts undergoing painting, plating, powder coating, anodizing, abrasive chemical processing, or exposure to high temperatures up to 600°F (316°C). Smaller sizes are solid while larger parts (Caplug No. with an H suffix) have a hollow design.



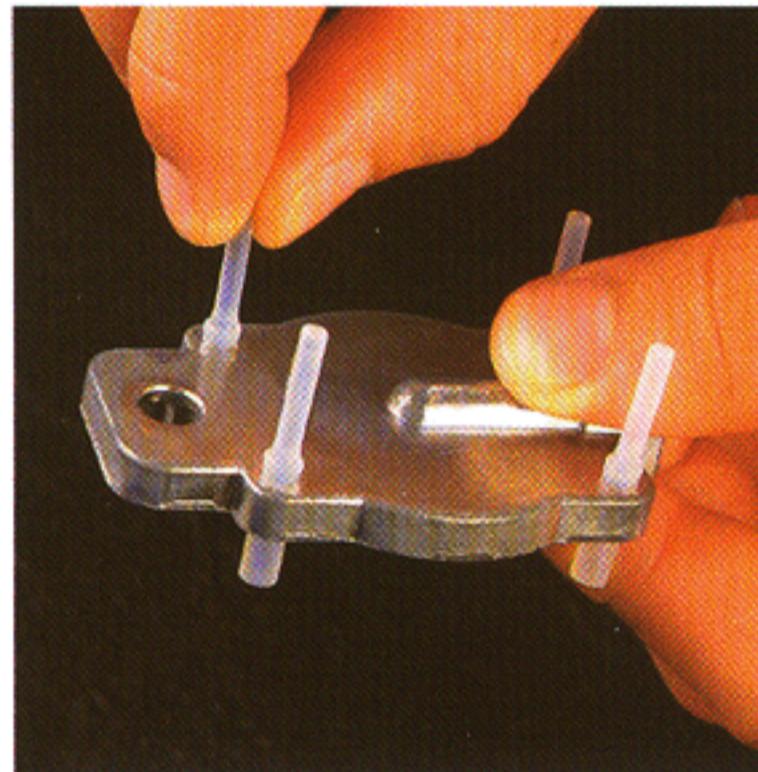
MATERIAL: Silicone Rubber  
COLOR\*: Natural



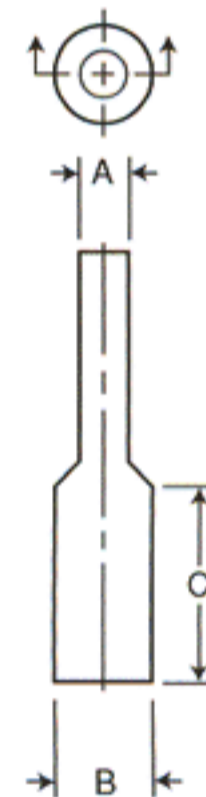
## SPP Series Silicone Rubber Pull Plugs



SPP Series Pull Plugs are designed to provide complete and positive protection to female-threaded ports and to the inside walls of holes ranging from .091" diameter to .335" and in lengths from .62" to 1.00".



MATERIAL: Silicone Rubber  
COLOR\*: Natural



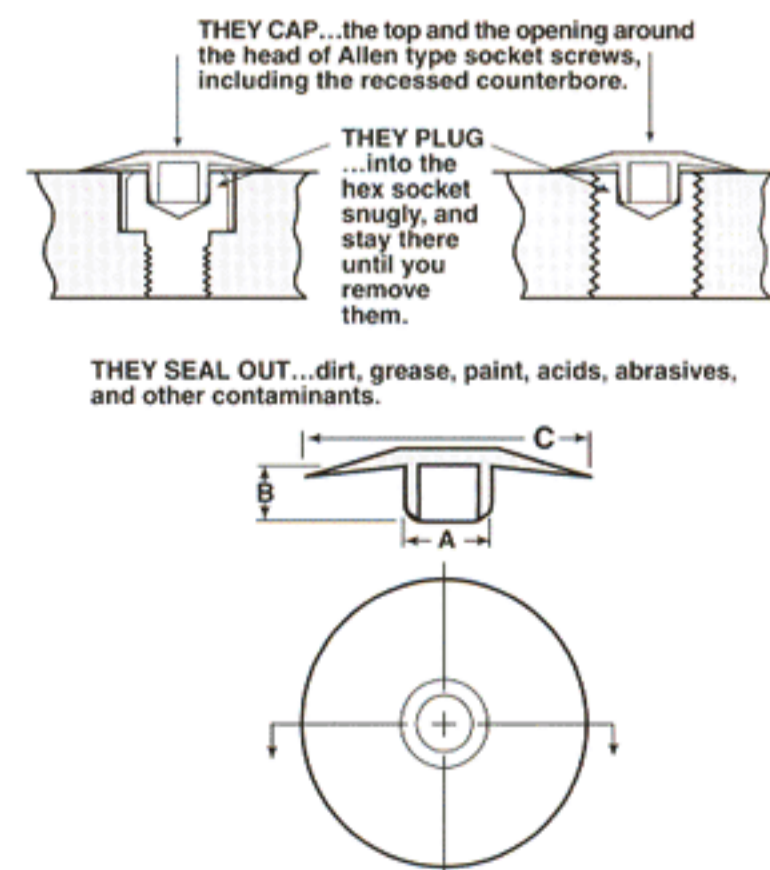
## SH Series Finishing Plugs for Socket Head Screws



Series SH Finishing Plugs keep foreign matter out of the screw head driving recess and the counterbore. Ideal for sanitary-type equipment, screws that need periodic resetting, production and maintenance spray painting and numerous other applications. Translucent polyethylene ensures visual identification of socket screws.



MATERIAL: Low Density Polyethylene  
COLOR\*: Natural





# non-threaded PLUGS



## SRP Series

| Dimensions |       |       |       |      |       | Packaging              |     |                   |               | Caplug No.   |
|------------|-------|-------|-------|------|-------|------------------------|-----|-------------------|---------------|--------------|
|            |       |       |       |      |       | Standard Carton        |     | Mini Pak Quantity |               |              |
| A          |       | B     |       | C    |       | Shipping Wt. (Approx.) |     |                   | No. of Pieces |              |
| in         | mm    | in    | mm    | in   | mm    | lbs                    | kgs |                   |               |              |
| .06        | 1.52  | .125  | 3.18  | .63  | 16.00 | 1                      | 0.4 | 1000              | 200           | SRP-125-10   |
| .06        | 1.52  | .187  | 4.75  | .63  | 16.00 | 1                      | 0.4 | 1000              | 200           | SRP-187-10   |
| .13        | 3.30  | .250  | 6.35  | .75  | 19.05 | 2                      | 0.9 | 1000              | 200           | SRP-250-12   |
| .19        | 4.83  | .343  | 8.71  | .63  | 16.00 | 3                      | 1.3 | 1000              | 100           | SRP-343-10   |
| .25        | 6.35  | .375  | 9.53  | .75  | 19.05 | 4                      | 1.8 | 1000              | 100           | SRP-375-12   |
| .35        | 8.89  | .472  | 11.99 | .75  | 19.05 | 3                      | 1.3 | 400               | 30            | SRP-472-12   |
| .39        | 9.91  | .590  | 14.99 | 1.00 | 25.40 | 6                      | 2.7 | 250               | 30            | SRP-590-16   |
| .51        | 12.95 | .669  | 16.99 | 1.00 | 25.40 | 4                      | 1.8 | 200               | 25            | SRP-669-16   |
| .55        | 13.97 | .748  | 19.00 | 1.00 | 25.40 | 2                      | 0.9 | 100               | 20            | SRP-748-16   |
| .63        | 16.00 | .787  | 19.99 | 1.00 | 25.40 | 3                      | 1.3 | 100               | 20            | SRP-787-16   |
| .71        | 18.03 | .945  | 24.00 | 1.00 | 25.40 | 3                      | 1.3 | 100               | 15            | SRP-945-16   |
| .79        | 20.07 | 1.024 | 26.00 | 1.00 | 25.40 | 3                      | 1.3 | 100               | 15            | SRP-1024-16  |
| .91        | 23.11 | 1.063 | 27.00 | 1.00 | 25.40 | 4                      | 1.8 | 100               | 15            | SRP-1063-16  |
| 1.02       | 25.91 | 1.260 | 32.00 | 1.00 | 25.40 | 5                      | 2.2 | 100               | 15            | SRP-1260-16  |
| 1.18       | 29.97 | 1.456 | 36.98 | 1.00 | 25.40 | 3                      | 1.3 | 50                | 10            | SRP-1456-16H |
| 1.30       | 33.02 | 1.614 | 40.99 | 1.00 | 25.40 | 4                      | 1.8 | 50                | N/A           | SRP-1614-16H |
| 1.46       | 37.08 | 1.772 | 45.00 | 1.00 | 25.40 | 4                      | 1.8 | 50                | N/A           | SRP-1772-16H |
| 1.65       | 41.91 | 1.968 | 49.98 | 1.00 | 25.40 | 3                      | 1.3 | 25                | N/A           | SRP-1968-16H |
| 1.89       | 48.00 | 2.205 | 56.00 | 1.00 | 25.40 | 3                      | 1.3 | 25                | N/A           | SRP-2205-16H |
| 2.13       | 54.10 | 2.520 | 64.00 | 1.00 | 25.40 | 4                      | 1.8 | 25                | N/A           | SRP-2520-16H |
| 2.28       | 57.91 | 2.677 | 67.99 | 1.00 | 25.40 | 4                      | 1.8 | 25                | N/A           | SRP-2677-16H |

## SPP Series

| Dimensions |      |      |      |      |       | Packaging              |     |                   |               | Caplug No. |
|------------|------|------|------|------|-------|------------------------|-----|-------------------|---------------|------------|
|            |      |      |      |      |       | Standard Carton        |     | Mini Pak Quantity |               |            |
| A          |      | B    |      | C    |       | Shipping Wt. (Approx.) |     |                   | No. of Pieces |            |
| in         | mm   | in   | mm   | in   | mm    | lbs                    | kgs |                   |               |            |
| .06        | 1.52 | .091 | 2.31 | .62  | 15.75 | 2                      | 0.9 | 1000              | 200           | SPP-091-10 |
| .06        | 1.52 | .109 | 2.76 | .62  | 15.75 | 3                      | 1.3 | 1000              | 200           | SPP-109-10 |
| .08        | 2.03 | .125 | 3.17 | .62  | 15.75 | 2                      | 0.9 | 500               | 100           | SPP-125-10 |
| .08        | 2.03 | .130 | 3.30 | .62  | 15.75 | 2                      | 0.9 | 500               | 100           | SPP-130-10 |
| .08        | 2.03 | .140 | 3.55 | .62  | 15.75 | 2                      | 0.9 | 500               | 100           | SPP-140-10 |
| .08        | 2.03 | .156 | 3.96 | .62  | 15.75 | 2                      | 0.9 | 500               | 100           | SPP-156-10 |
| .11        | 2.79 | .187 | 4.74 | .62  | 15.75 | 2                      | 0.9 | 500               | 100           | SPP-187-10 |
| .11        | 2.79 | .197 | 5.00 | .62  | 15.75 | 2                      | 0.9 | 500               | 100           | SPP-197-10 |
| .13        | 3.30 | .225 | 5.71 | 1.00 | 25.40 | 3                      | 1.3 | 500               | 100           | SPP-225-16 |
| .13        | 3.30 | .257 | 6.52 | 1.00 | 25.40 | 3                      | 1.3 | 500               | 100           | SPP-257-16 |
| .14        | 3.56 | .281 | 7.13 | 1.00 | 25.40 | 3                      | 1.3 | 1000              | 200           | SPP-281-16 |
| .15        | 3.81 | .312 | 7.92 | 1.00 | 25.40 | 2                      | 0.9 | 200               | 40            | SPP-312-16 |
| .16        | 4.20 | .335 | 8.50 | 1.00 | 25.40 | 2                      | 0.9 | 200               | 40            | SPP-335-16 |

## SH Series

| Dimensions   |      |      |      |      |     |       | Packaging              |     |                   |               | Caplug No. |
|--------------|------|------|------|------|-----|-------|------------------------|-----|-------------------|---------------|------------|
|              |      |      |      |      |     |       | Standard Carton        |     | Mini Pak Quantity |               |            |
| Screw Size** | A    |      | B    |      | C   |       | Shipping Wt. (Approx.) |     |                   | No. of Pieces |            |
|              | in   | mm   | in   | mm   | in  | mm    | lbs                    | kgs |                   |               |            |
| 1/4          | .198 | 5.03 | .120 | 3.05 | .50 | 12.70 | 3                      | 1.3 | 5000              | 1000          | SH-25      |
| 5/16         | .260 | 6.60 | .151 | 3.84 | .59 | 14.99 | 2                      | 0.9 | 5000              | 1000          | SH-31      |
| 3/8          | .322 | 8.18 | .182 | 4.62 | .69 | 17.53 | 5                      | 2.2 | 5000              | 1000          | SH-38      |
| 1/2          | .385 | 9.78 | .245 | 6.22 | .88 | 22.35 | 5                      | 2.2 | 5000              | 1000          | SH-50      |

\*\* Socket headcap screw.





# PLUGS non-threaded

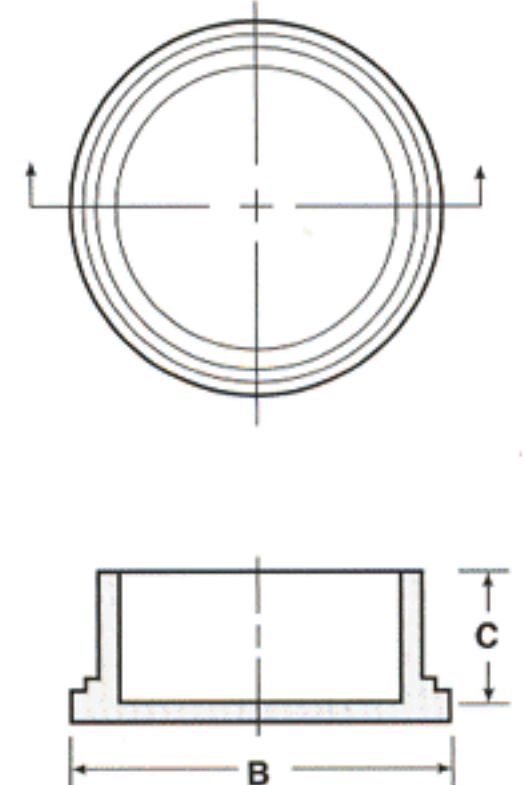
## SEP Series Electrostatic-Free Plugs for Threaded Connectors



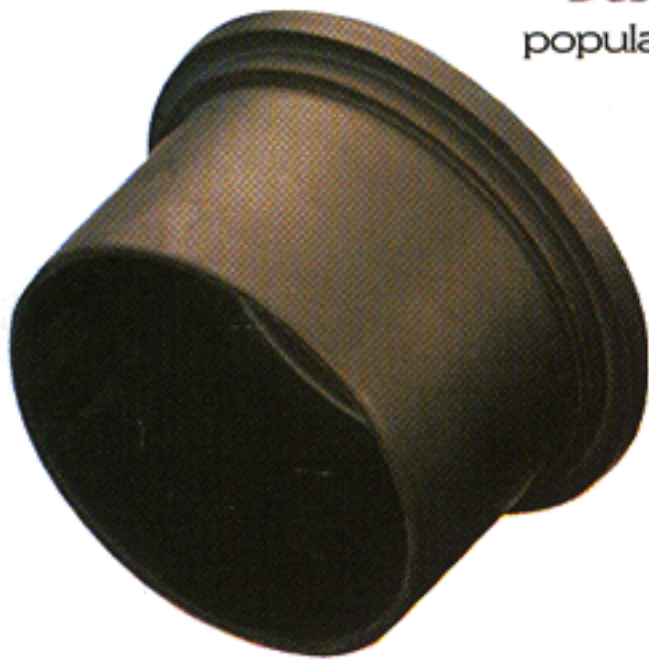
SEP Plugs are designed to fit inside both threaded and non-threaded bayonet-type connectors. All static dissipative Caplugs provide a surface resistivity in the range of at least  $1 \times 10^5$  ohms/sq. but less than  $1 \times 10^{12}$  ohms/sq. They also meet the static decay test requirements of MIL-B-81705C, Type II.



**MATERIAL:** Static Dissipative Polyethylene  
**COLOR:** Pink



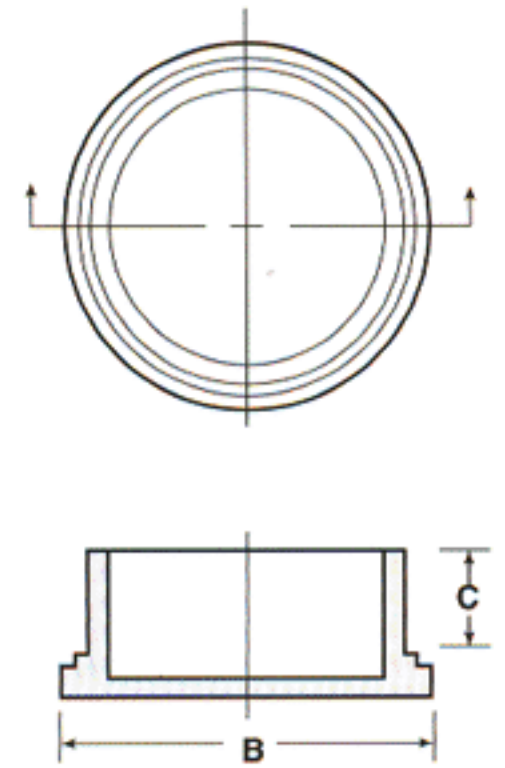
## CEP Series Conductive Plugs



Designed to plug the more popular sizes of both threaded and non-threaded, bayonet-type electrical and electronic connectors, CEP Conductive Plugs provide an electrical shielding as well as mechanical protection.



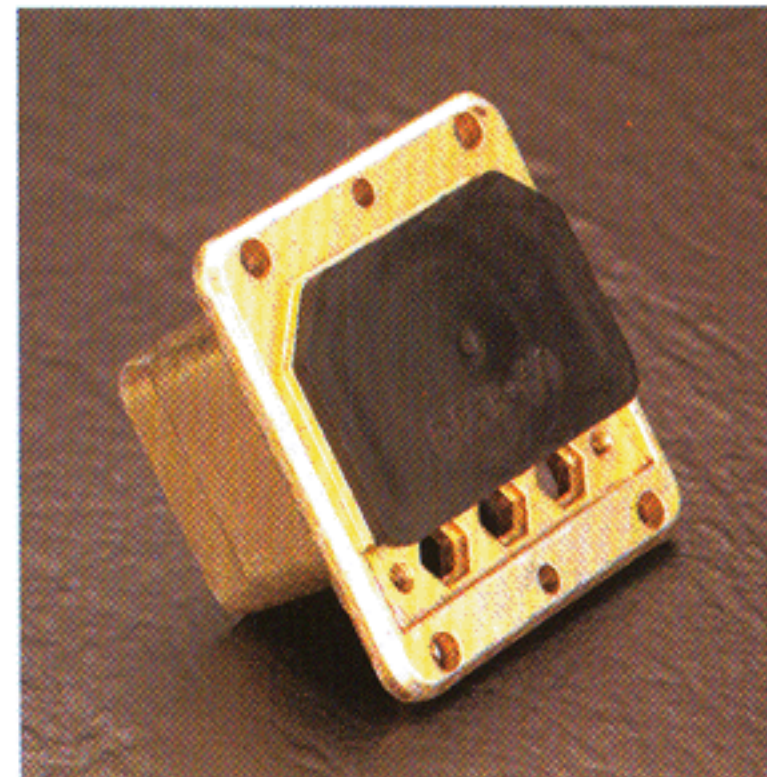
**MATERIAL:** Conductive Polyethylene  
**COLOR:** Black



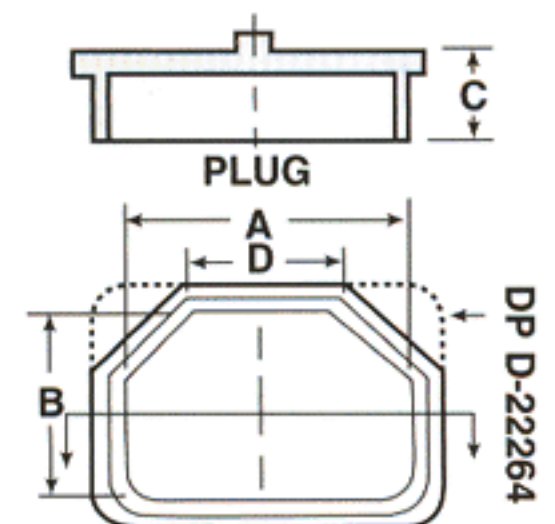
## DP Series Conductive Plugs



DP Series Conductive Plugs are designed to dissipate electrostatic charges, and provide mechanical protection and an electrical shielding for ITT Cannon-style connectors commonly used in aerospace and military applications.



**MATERIAL:** Conductive Polyethylene  
**COLOR:** Black





# non-threaded PLUGS



MS-90376-YF, NAS-837B

## SEP Series

| To Fit<br>Thread Size | Dimensions |       |     |       | Packaging                     |     |                      |                  | Caplug No. |
|-----------------------|------------|-------|-----|-------|-------------------------------|-----|----------------------|------------------|------------|
|                       | B          |       | C   |       | Standard Carton               |     | Mini Pak<br>Quantity |                  |            |
|                       | in         | mm    | in  | mm    | Shipping Wt. (Approx.)<br>lbs | kgs |                      | No. of<br>Pieces |            |
| 1/2-28                | .67        | 17.01 | .62 | 15.74 | 10                            | 4.5 | 5000                 | 1000             | SEP-8      |
| 5/8-24                | .75        | 19.05 | .62 | 15.74 | 12                            | 5.4 | 5000                 | 1000             | SEP-10     |
| 3/4-20                | .86        | 21.84 | .62 | 15.74 | 17                            | 7.6 | 5000                 | 1000             | SEP-12     |
| 7/8-20                | 1.03       | 25.16 | .62 | 15.74 | 20                            | 9.0 | 5000                 | 1000             | SEP-14     |
| 1-20                  | 1.12       | 28.44 | .62 | 15.74 | 12                            | 5.4 | 2500                 | 500              | SEP-16     |
| 1 1/8-18              | 1.25       | 31.75 | .62 | 15.74 | 13                            | 5.8 | 2500                 | 500              | SEP-18     |
| 1 1/4-18              | 1.40       | 35.56 | .62 | 15.74 | 14                            | 6.3 | 2500                 | 500              | SEP-20     |
| 1 3/8-18              | 1.50       | 38.10 | .62 | 15.74 | 17                            | 7.6 | 2500                 | 500              | SEP-22     |
| 1 1/2-18              | 1.64       | 41.65 | .62 | 15.74 | 8                             | 3.6 | 1000                 | 200              | SEP-24     |
| 1 9/16-18             | 1.81       | 45.98 | .62 | 15.74 | 10                            | 4.5 | 1000                 | 200              | SEP-25     |
| 1 3/4-18              | 1.87       | 47.49 | .62 | 15.74 | 11                            | 4.9 | 1000                 | 200              | SEP-28     |
| 2-18                  | 2.13       | 54.10 | .62 | 15.74 | 12                            | 5.4 | 1000                 | 200              | SEP-32     |
| 2 1/4-16              | 2.34       | 59.44 | .62 | 15.74 | 15                            | 6.8 | 1000                 | 200              | SEP-36     |
| 2 1/2-16              | 2.60       | 66.04 | .62 | 15.74 | 18                            | 8.1 | 1000                 | 200              | SEP-40     |

MS-90376-YB, NAS-837C

## CEP Series

| To Fit<br>Thread Size | Dimensions |       |     |       | Packaging                     |     |                      |                  | Caplug No. |
|-----------------------|------------|-------|-----|-------|-------------------------------|-----|----------------------|------------------|------------|
|                       | B          |       | C   |       | Standard Carton               |     | Mini Pak<br>Quantity |                  |            |
|                       | in         | mm    | in  | mm    | Shipping Wt. (Approx.)<br>lbs | kgs |                      | No. of<br>Pieces |            |
| 1/2-28                | 0.67       | 17.02 | .55 | 13.97 | 5.4                           | 12  | 5000                 | 1000             | CEP-08     |
| 5/8-24                | 0.76       | 19.05 | .55 | 13.97 | 6.8                           | 15  | 5000                 | 1000             | CEP-10     |
| 3/4-20                | 0.88       | 22.35 | .56 | 14.22 | 9.9                           | 22  | 5000                 | 1000             | CEP-12     |
| 7/8-20                | 1.02       | 25.91 | .56 | 14.22 | 11.7                          | 26  | 5000                 | 1000             | CEP-14     |
| 1-20                  | 1.16       | 29.47 | .55 | 13.97 | 5.8                           | 13  | 2500                 | 500              | CEP-16     |
| 1 1/8-18              | 1.25       | 32.25 | .55 | 13.97 | 6.8                           | 15  | 2500                 | 500              | CEP-18     |
| 1 1/4-18              | 1.45       | 36.83 | .55 | 13.97 | 8.6                           | 19  | 2500                 | 500              | CEP-20     |
| 1 3/8-18              | 1.52       | 38.61 | .54 | 13.72 | 9.4                           | 21  | 2500                 | 500              | CEP-22     |
| 1 1/2-18              | 1.67       | 42.42 | .55 | 13.97 | 4.5                           | 10  | 1000                 | 200              | CEP-24     |
| 1 3/4-18              | 1.90       | 48.51 | .55 | 13.97 | 6.3                           | 14  | 1000                 | 200              | CEP-28     |
| 1 13/16-16            | 1.94       | 49.28 | .56 | 14.22 | 5.8                           | 13  | 1000                 | 200              | CEP-29     |
| 2-18                  | 2.16       | 58.87 | .55 | 13.97 | 7.2                           | 16  | 1000                 | 200              | CEP-32     |
| 2 1/4-16              | 2.39       | 60.71 | .57 | 14.47 | 8.1                           | 18  | 1000                 | 200              | CEP-36     |
| 2 1/2-16              | 2.67       | 67.82 | .56 | 14.22 | 8.1                           | 18  | 1000                 | 200              | CEP-40     |
| 2 3/4-16              | 2.88       | 73.15 | .56 | 14.22 | 5.8                           | 13  | 500                  | 100              | CEP-44     |
| 3-16                  | 3.12       | 79.50 | .54 | 13.72 | 6.3                           | 14  | 500                  | 100              | CEP-48     |

Dissipative Caplugs and CEC Conductive Caplugs are packaged in static dissipative poly bags.

## DP Series

| in    | Dimensions |       |       |     |       |      |       |    | Packaging                     |     |                      |                  | Caplug No. |
|-------|------------|-------|-------|-----|-------|------|-------|----|-------------------------------|-----|----------------------|------------------|------------|
|       | A          |       | B     |     | C     |      | D     |    | Standard Carton               |     | Mini Pak<br>Quantity |                  |            |
|       | in         | mm    | in    | mm  | in    | mm   | in    | mm | Shipping Wt. (Approx.)<br>lbs | kgs |                      | No. of<br>Pieces |            |
| 1.656 | 42.06      | 1.005 | 25.52 | .34 | 8.64  | 1.16 | 29.46 | 4  | 1.81                          | 500 | 100                  | DP XB-60         |            |
| 2.422 | 61.52      | 1.425 | 36.19 | .76 | 19.30 | -    | -     | 3  | 1.36                          | 200 | 40                   | DP D-22264       |            |
| 1.430 | 36.32      | .780  | 19.81 | .40 | 10.16 | 1.09 | 27.68 | 13 | 5.89                          | 500 | 100                  | DP A-60          |            |



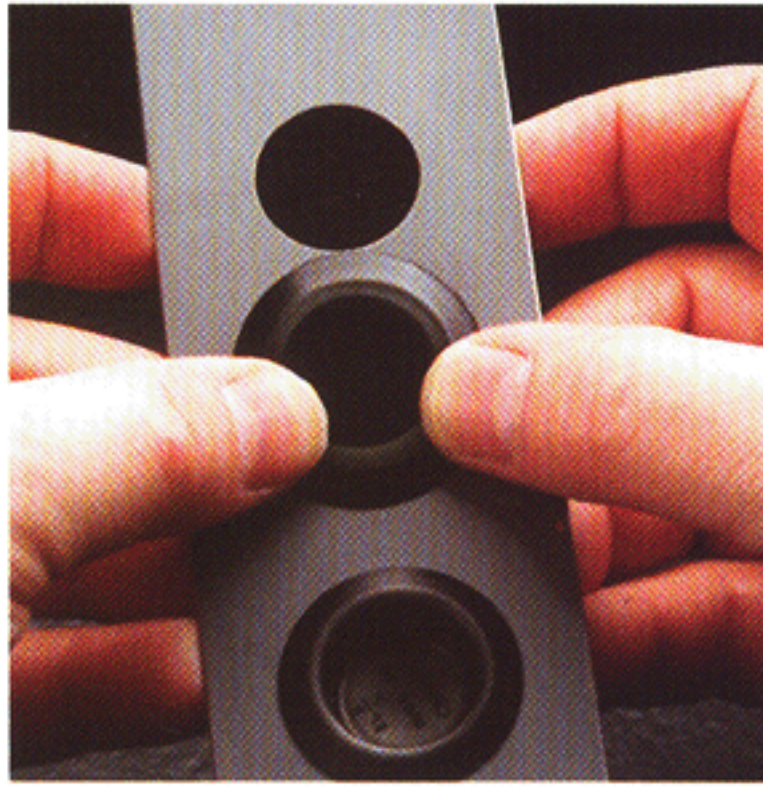


# PLUGS non-threaded

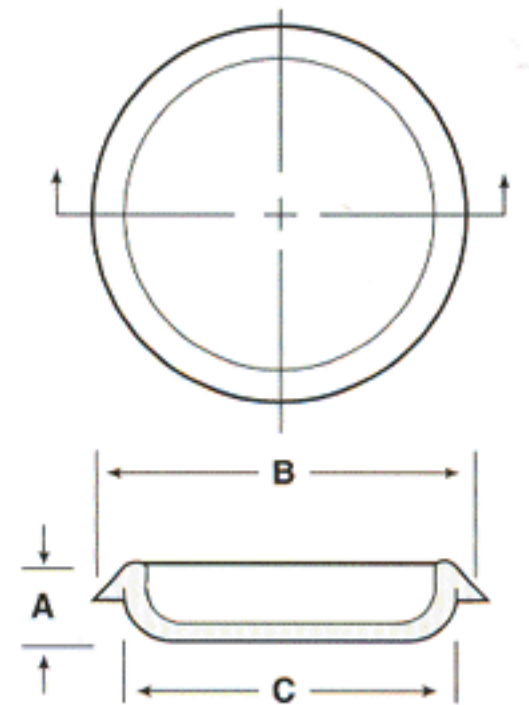
## BP Series Button Plugs with Recessed-Type Heads



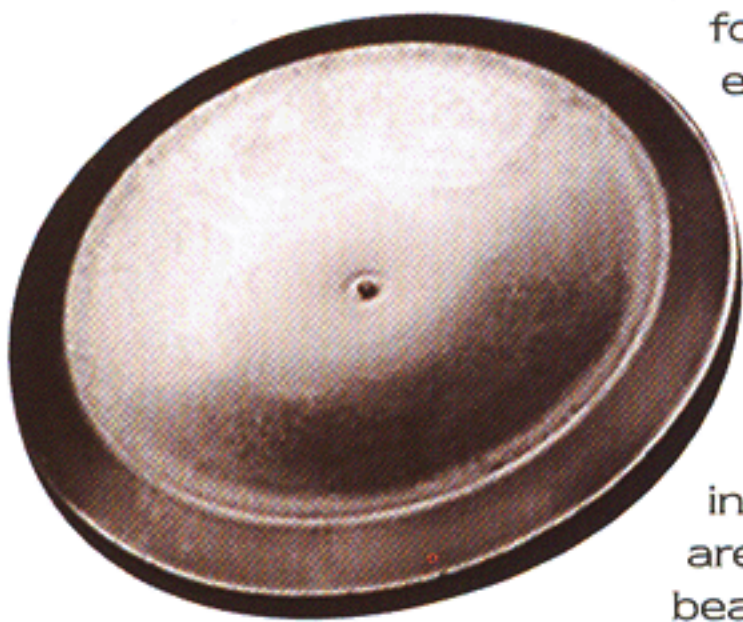
Series BP Button Plugs with recessed-type heads can be used for plugging holes in equipment made of sheet metal, such as automobile bodies, tanks, refrigeration units, etc. Series BP Button Plugs can be snapped into holes easily and are held in place by a bead until deliberately removed.



**MATERIAL:** Low Density Polyethylene  
**COLOR\*:** Black



## BPF Series Button Plugs with Flush-Type Heads

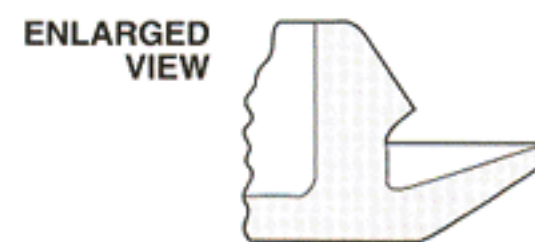
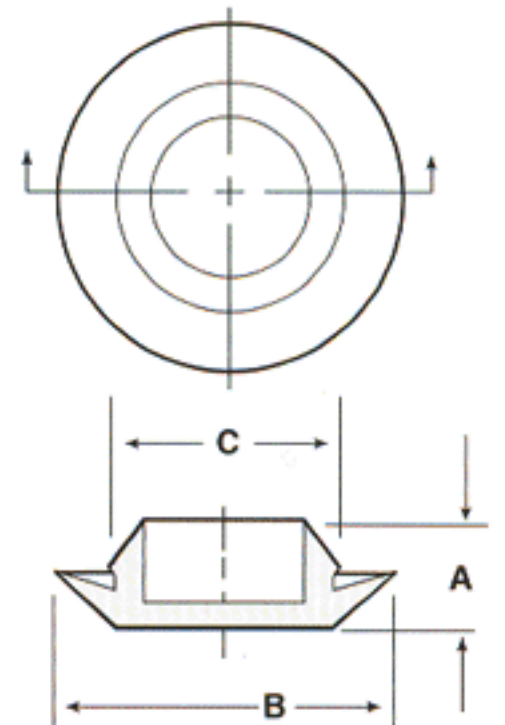


Series BPF Button Plugs with flush-type heads can be used for plugging holes in equipment made of sheet metal, such as automobile bodies, tanks, refrigeration units, etc. Series BPF Button Plugs can be snapped into holes easily and are held in place by a bead until deliberately removed.



*Used on a car doorjamb*

**MATERIAL:** Low Density Polyethylene  
**COLOR\*:** Black





# non-threaded PLUGS



## BP Series

| Dimensions |             |                 |           |     |       |      |       |      |       | Packaging                     |     |                   |               | Caplug No. |
|------------|-------------|-----------------|-----------|-----|-------|------|-------|------|-------|-------------------------------|-----|-------------------|---------------|------------|
| Hole Size  |             | Metal Thickness |           | A   |       | B    |       | C    |       | Standard Carton               |     | Mini Pak Quantity |               |            |
| in         | mm          | in              | mm        | in  | mm    | in   | mm    | in   | mm    | Shipping Wt. (Approx.)<br>lbs | kgs |                   | No. of Pieces |            |
| .50-.52    | 12.70-13.21 | .02-.07         | 0.51-1.78 | .29 | 7.37  | .85  | 21.59 | .55  | 13.97 | 6                             | 2.7 | 5000              | 1000          | BP-1/2     |
| .50-.52    | 12.70-13.21 | .06-.13         | 1.52-3.30 | .32 | 8.13  | .85  | 21.59 | .55  | 13.97 | 6                             | 2.7 | 5000              | 1000          | BP-1/2-4   |
| .73-.76    | 18.54-19.30 | .02-.14         | 0.51-3.56 | .36 | 9.14  | 1.16 | 29.47 | .79  | 20.07 | 13                            | 5.8 | 5000              | 1000          | BP-3/4     |
| .79-.82    | 20.07-20.83 | .02-.07         | 0.51-1.78 | .29 | 7.37  | 1.15 | 29.21 | .85  | 21.59 | 11                            | 4.9 | 5000              | 1000          | BP-13/16   |
| .87-.90    | 22.10-22.86 | .02-.10         | 0.51-2.54 | .35 | 8.89  | 1.23 | 31.24 | .93  | 23.62 | 13                            | 5.8 | 5000              | 1000          | BP-7/8     |
| .90-.91    | 22.86-23.11 | .02-.10         | 0.51-2.54 | .35 | 8.89  | 1.25 | 31.75 | .95  | 24.13 | 14                            | 6.3 | 5000              | 1000          | BP-29/32   |
| .99-1.02   | 25.15-25.91 | .02-.10         | 0.51-2.54 | .35 | 8.89  | 1.35 | 34.29 | 1.05 | 26.67 | 16                            | 7.2 | 5000              | 1000          | BP-1       |
| 1.04-1.07  | 26.42-27.18 | .02-.10         | 0.51-2.54 | .35 | 8.89  | 1.40 | 35.56 | 1.10 | 27.94 | 18                            | 8.1 | 5000              | 1000          | BP-1-1/16  |
| 1.09-1.12  | 27.69-28.45 | .02-.10         | 0.51-2.54 | .35 | 8.89  | 1.47 | 37.34 | 1.16 | 29.47 | 20                            | 9   | 5000              | 1000          | BP-1-3/32  |
| 1.10-1.15  | 27.94-29.21 | .02-.18         | 0.51-4.57 | .43 | 10.92 | 1.53 | 38.86 | 1.18 | 29.97 | 13                            | 5.8 | 2500              | 500           | BP-1-1/8   |
| 1.23-1.27  | 31.24-32.26 | .01-.10         | 0.25-2.54 | .35 | 8.89  | 1.60 | 40.64 | 1.30 | 33.02 | 13                            | 5.8 | 2500              | 500           | BP-1-1/4   |
| 1.30-1.34  | 33.02-34.04 | .01-.10         | 0.25-2.54 | .35 | 8.89  | 1.67 | 42.42 | 1.36 | 34.55 | 15                            | 6.8 | 2500              | 500           | BP-1-5/16  |
| 1.36-1.40  | 34.55-35.56 | .02-.10         | 0.51-2.54 | .35 | 8.89  | 1.73 | 43.94 | 1.43 | 36.32 | 12                            | 5.4 | 2500              | 500           | BP-1-3/8   |
| 1.48-1.52  | 37.59-38.61 | .02-.10         | 0.51-2.54 | .35 | 8.89  | 1.85 | 46.99 | 1.55 | 39.37 | 15                            | 6.8 | 2500              | 500           | BP-1-1/2   |
| 1.48-1.52  | 37.59-38.61 | .13-.22         | 3.30-5.59 | .50 | 12.70 | 1.83 | 46.48 | 1.54 | 39.12 | 18                            | 8.1 | 2000              | 400           | BP-1-1/2-7 |
| 1.59-1.65  | 40.39-41.91 | .03-.10         | 0.76-2.54 | .36 | 9.14  | 2.00 | 50.80 | 1.68 | 42.67 | 12                            | 5.4 | 1500              | 300           | BP-1-5/8   |
| 1.72-1.77  | 43.69-44.96 | .02-.10         | 0.51-2.54 | .35 | 8.89  | 2.10 | 53.34 | 1.80 | 45.72 | 19                            | 8.6 | 2500              | 500           | BP-1-3/4   |
| 1.70-1.78  | 43.18-45.21 | .02-.16         | 0.51-4.06 | .43 | 10.92 | 2.25 | 57.15 | 1.80 | 45.72 | 22                            | 9.9 | 2000              | 400           | BP-1-3/4-5 |
| 1.77-1.82  | 44.96-46.23 | .02-.10         | 0.51-2.54 | .35 | 8.89  | 2.16 | 54.87 | 1.85 | 46.99 | 18                            | 8.1 | 2500              | 500           | BP-1-13/16 |
| 1.85-1.90  | 46.99-48.26 | .02-.10         | 0.51-2.54 | .35 | 8.89  | 2.24 | 56.90 | 1.93 | 49.02 | 17                            | 7.6 | 2000              | 400           | BP-1-7/8   |
| 1.97-2.02  | 50.04-51.31 | .02-.10         | 0.51-2.54 | .36 | 9.14  | 2.35 | 59.69 | 2.05 | 52.07 | 11                            | 4.9 | 1000              | 200           | BP-2       |
| 2.45-2.51  | 62.23-63.76 | .02-.10         | 0.51-2.54 | .35 | 8.89  | 2.85 | 72.39 | 2.54 | 64.52 | 18                            | 8.1 | 1000              | 200           | BP-2-1/2   |
| 2.44-2.53  | 61.98-64.26 | .02-.14         | 0.51-3.56 | .43 | 10.92 | 3.00 | 76.20 | 2.55 | 64.77 | 19                            | 8.6 | 1000              | 200           | BP-2-1/2-5 |

## BPF Series

| Dimensions |               |                 |           |     |       |      |       |      |       | Packaging                     |     |                   |               | Caplug No.  |
|------------|---------------|-----------------|-----------|-----|-------|------|-------|------|-------|-------------------------------|-----|-------------------|---------------|-------------|
| Hole Size  |               | Metal Thickness |           | A   |       | B    |       | C    |       | Standard Carton               |     | Mini Pak Quantity |               |             |
| in         | mm            | in              | mm        | in  | mm    | in   | mm    | in   | mm    | Shipping Wt. (Approx.)<br>lbs | kgs |                   | No. of Pieces |             |
| .18-.19    | 4.57-4.90     | .02-.04         | 0.51-1.02 | .21 | 5.40  | .39  | 9.90  | .21  | 5.40  | 4                             | 1.8 | 5000              | 1000          | BPF-5mm**   |
| .23-.24    | 5.84-6.10     | .02-.06         | 0.51-1.52 | .45 | 11.40 | .50  | 12.70 | .29  | 7.40  | 3                             | 1.3 | 5000              | 1000          | BPF-6mm**   |
| .24-.25    | 6.10-6.35     | .02-.07         | 0.51-1.78 | .21 | 5.33  | .5   | 12.70 | .28  | 7.11  | 3                             | 1.3 | 5000              | 1000          | BPF-1/4**   |
| .24-.25    | 6.10-6.35     | .07-.13         | 1.78-3.30 | .3  | 7.62  | .5   | 12.70 | .28  | 7.11  | 4                             | 1.8 | 5000              | 1000          | BPF-1/4-4** |
| .37-.38    | 9.40-9.65     | .02-.05         | 0.51-1.27 | .19 | 4.83  | .75  | 19.05 | .41  | 10.41 | 5                             | 2.2 | 5000              | 1000          | BPF-3/8     |
| .37-.38    | 9.40-9.65     | .06-.11         | 1.52-2.79 | .24 | 6.1   | .75  | 19.05 | .41  | 10.41 | 5                             | 2.2 | 5000              | 1000          | BPF-3/8-3   |
| .43-.45    | 10.92-11.43   | .03-.06         | 0.76-1.52 | .22 | 5.59  | .69  | 17.53 | .47  | 11.94 | 7                             | 3.1 | 5000              | 1000          | BPF-7/16    |
| .49-.51    | 12.45-12.95   | .03-.08         | 0.76-2.03 | .25 | 6.35  | .86  | 21.84 | .54  | 13.72 | 7                             | 3.1 | 5000              | 1000          | BPF-1/2     |
| .55-.56    | 13.97-14.22   | .03-.08         | 0.76-2.03 | .25 | 6.35  | .87  | 22.1  | .67  | 15.24 | 7                             | 3.1 | 5000              | 1000          | BPF-9/16    |
| .61-.63    | 15.49-16.00   | .06-.08         | 1.52-2.03 | .26 | 6.6   | .81  | 20.57 | .67  | 17.02 | 7                             | 3.1 | 5000              | 1000          | BPF-5/8     |
| .68-.70    | 17.27-17.78   | .03-.08         | 0.76-2.03 | .25 | 6.35  | 1.01 | 25.66 | .73  | 18.54 | 12                            | 5.4 | 5000              | 1000          | BPF-11/16   |
| .73-.76    | 18.54-19.30   | .05-.11         | 1.27-2.79 | .29 | 7.37  | 1.01 | 25.66 | .79  | 20.07 | 13                            | 5.8 | 5000              | 1000          | BPF-3/4     |
| .80-.83    | 20.32-21.08   | .16-.19         | 4.06-4.83 | .37 | 9.4   | 1.11 | 28.2  | .85  | 21.59 | 18                            | 8.1 | 5000              | 1000          | BPF-13/16-6 |
| .86-.88    | 21.84-22.35   | .03-.08         | 0.76-2.03 | .25 | 6.35  | 1.16 | 29.47 | .91  | 23.11 | 16                            | 7.2 | 5000              | 1000          | BPF-7/8     |
| .86-.88    | 21.84-22.35   | .13-.18         | 3.30-4.57 | .36 | 9.14  | 1.16 | 29.47 | .91  | 23.11 | 17                            | 7.6 | 5000              | 1000          | BPF-7/8-6   |
| .92-.95    | 23.37-24.13   | .03-.08         | 0.76-2.03 | .25 | 6.35  | 1.31 | 33.28 | .98  | 24.89 | 17                            | 7.6 | 5000              | 1000          | BPF-15/16   |
| .98-1.01   | 24.89-25.66   | .03-.08         | 0.76-2.03 | .25 | 6.35  | 1.37 | 34.80 | 1.04 | 26.42 | 20                            | 9   | 5000              | 1000          | BPF-1       |
| 1.10-1.15  | 27.94-29.21   | .02-.18         | 0.51-4.57 | .43 | 10.92 | 1.53 | 38.86 | 1.18 | 29.97 | 13                            | 5.8 | 2500              | 500           | BPF-1-1/8-6 |
| 1.16-1.20  | 29.47-30.48   | .03-.08         | 0.76-2.03 | .25 | 6.35  | 1.56 | 39.63 | 1.22 | 30.99 | 12                            | 5.4 | 2500              | 500           | BPF-1-3/16  |
| 1.22-1.26  | 30.99-32.01   | .03-.08         | 0.76-2.03 | .25 | 6.35  | 1.62 | 41.15 | 1.29 | 32.77 | 14                            | 6.3 | 2500              | 500           | BPF-1-1/4   |
| 1.29-1.33  | 32.77-33.78   | .03-.08         | 0.76-2.03 | .25 | 6.35  | 1.68 | 42.67 | 1.36 | 34.55 | 14                            | 6.3 | 2500              | 500           | BPF-1-5/16  |
| 1.48-1.51  | 37.59-38.36   | .02-.08         | 0.51-2.03 | .25 | 6.35  | 1.88 | 47.75 | 1.54 | 39.12 | 18                            | 8.1 | 2500              | 500           | BPF-1-1/2   |
| 1.73-1.76  | 43.94-44.71   | .03-.08         | 0.76-2.03 | .25 | 6.35  | 2.13 | 54.1  | 1.79 | 45.47 | 10                            | 4.5 | 1000              | 200           | BPF-1-3/4   |
| 1.98-2.01  | 50.29-51.05   | .03-.08         | 0.76-2.03 | .29 | 7.36  | 2.36 | 59.94 | 2.04 | 51.81 | 12                            | 5.4 | 1000              | 200           | BPF-2       |
| 2.10-2.14  | 53.34-54.36   | .03-.08         | 0.76-2.03 | .25 | 6.35  | 2.49 | 63.25 | 2.17 | 55.12 | 15                            | 6.8 | 1000              | 200           | BPF-2-1/8   |
| 2.97-3.02  | 75.44-76.71   | .03-.08         | 0.76-2.03 | .25 | 6.35  | 3.36 | 85.35 | 3.06 | 77.73 | 17                            | 7.6 | 750               | 150           | BPF-3       |
| 3.10-3.15  | 78.74-80.01   | .03-.08         | 0.76-2.03 | .25 | 6.35  | 3.52 | 89.41 | 3.18 | 80.78 | 18                            | 8.1 | 750               | 150           | BPF-3-1/8   |
| 3.35-3.40  | 85.09-86.36   | .03-.08         | 0.76-2.03 | .28 | 7.11  | 3.75 | 95.25 | 3.43 | 87.13 | 14                            | 6.3 | 500               | 100           | BPF-3-3/8   |
| 3.47-3.52  | 88.14-89.41   | .03-.11         | 0.76-2.79 | .28 | 7.11  | 3.86 | 98.05 | 3.56 | 90.43 | 14                            | 6.3 | 500               | 100           | BPF-3-1/2   |
| 3.97-4.02  | 100.84-102.11 | .05-.10         | 1.27-2.54 | .28 | 7.11  | 4.37 | 111   | 4.13 | 104.9 | 18                            | 8.1 | 500               | 100           | BPF-4       |

\*F-6mm, BPF-1/4 and BPF-1/4-4 are EVA (ethylene vinyl acetate).



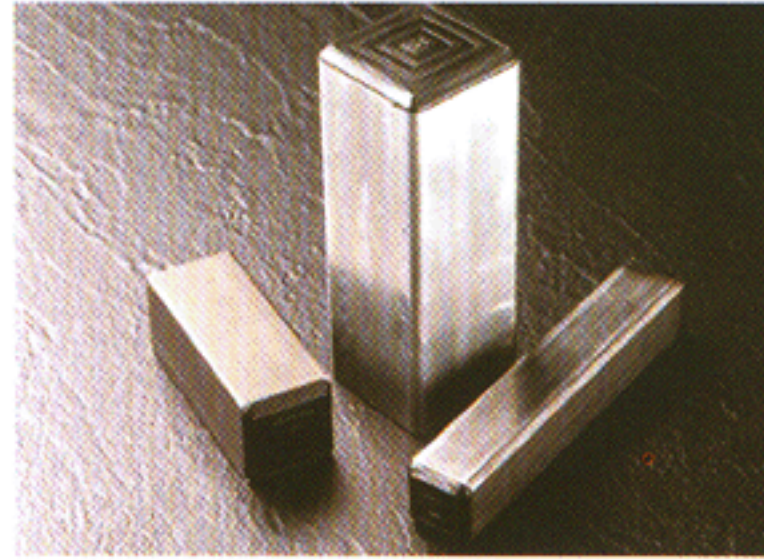
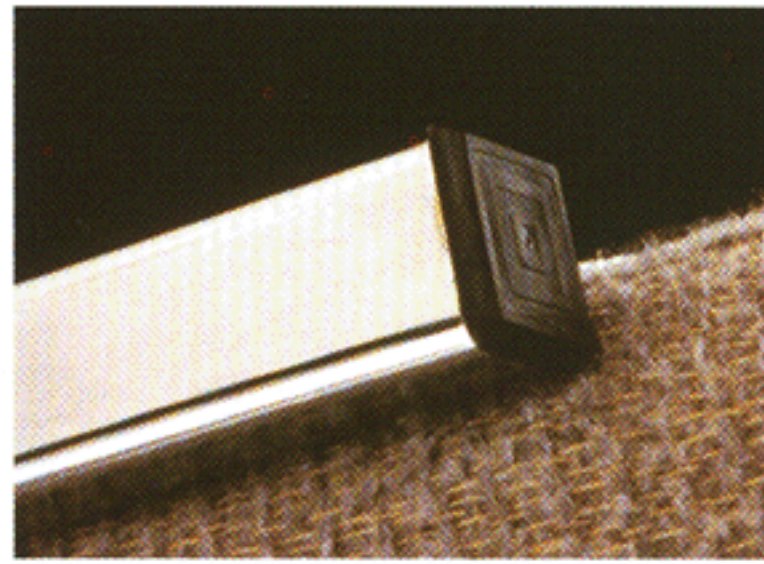


# PLUGS non-threaded

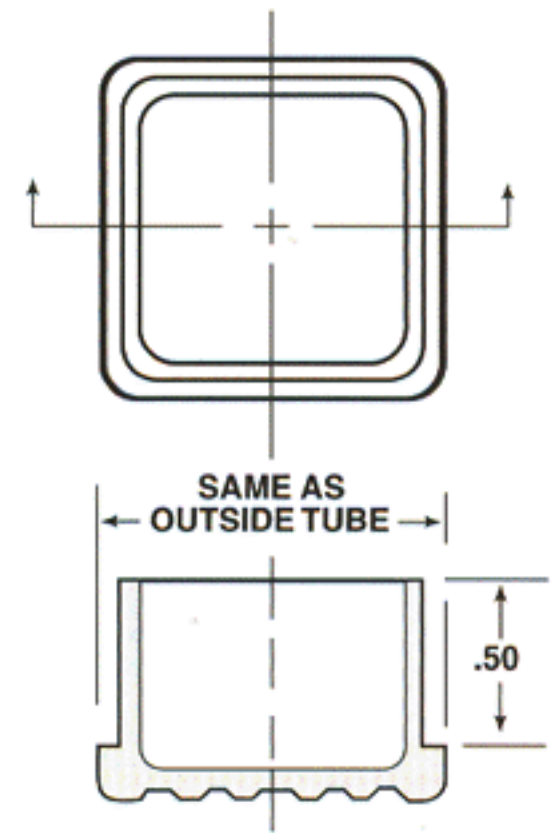
## FP Series Finishing Plugs for Square Tubing



Series FP closures are finishing plugs for square tubing. Sized for different gauges, their shoulders fit flush with tubing sides. In addition to keeping dirt and moisture out of sensitive areas, Series FP Plugs provide a clean finish to the square tube ends on completed products. They also protect against injury from sharp tubing edges.



MATERIAL: Low Density Polyethylene  
COLOR\*: Black



## PIP Series Push-In Plugs

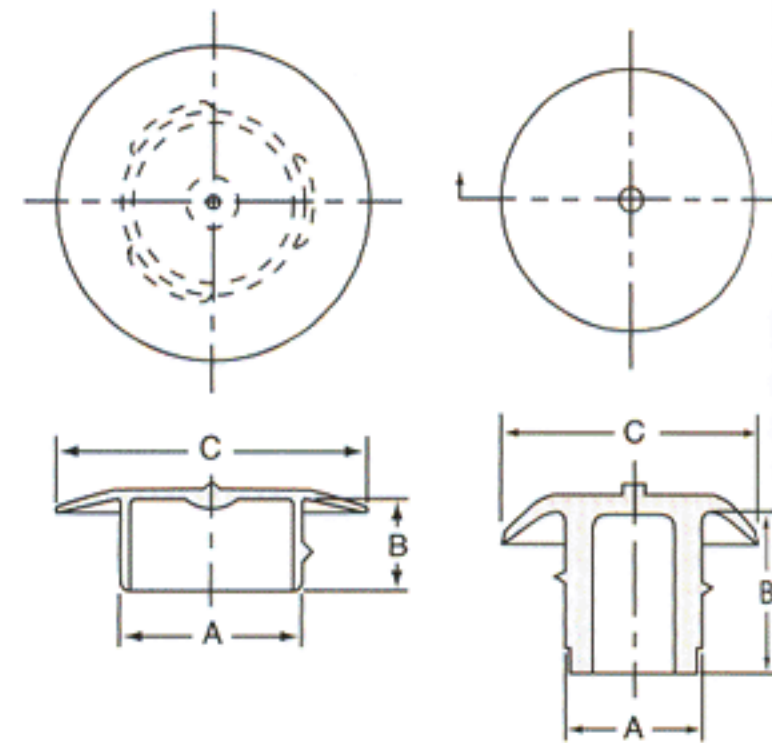
NEW



Series PIP Plugs are designed to fit SAE thread sizes. These parts offer the convenience of a push-in plug with the plugging quality of a threaded plug.



MATERIAL: Low Density Polyethylene  
COLOR\*: Black



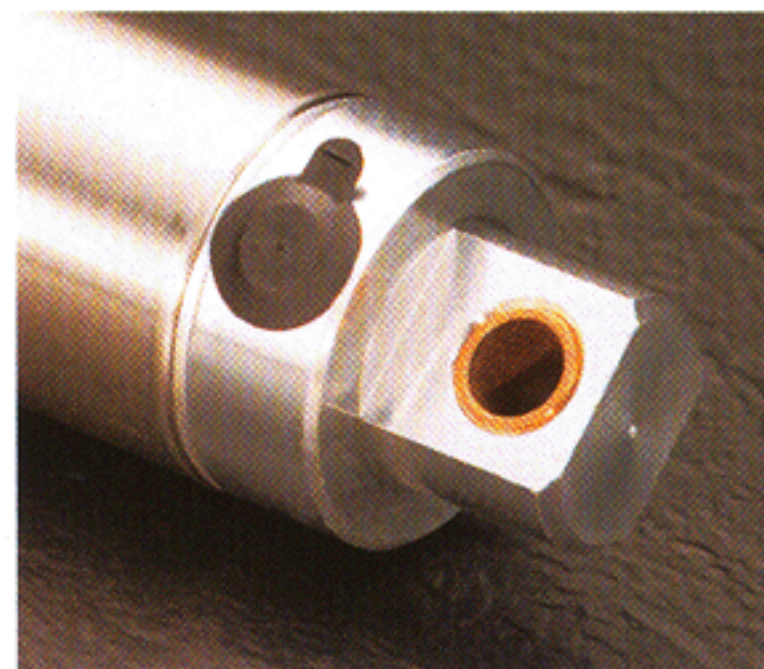
PIP-1/4 only

## PIP-TAB Series Push-In Plugs with Pull-Tab

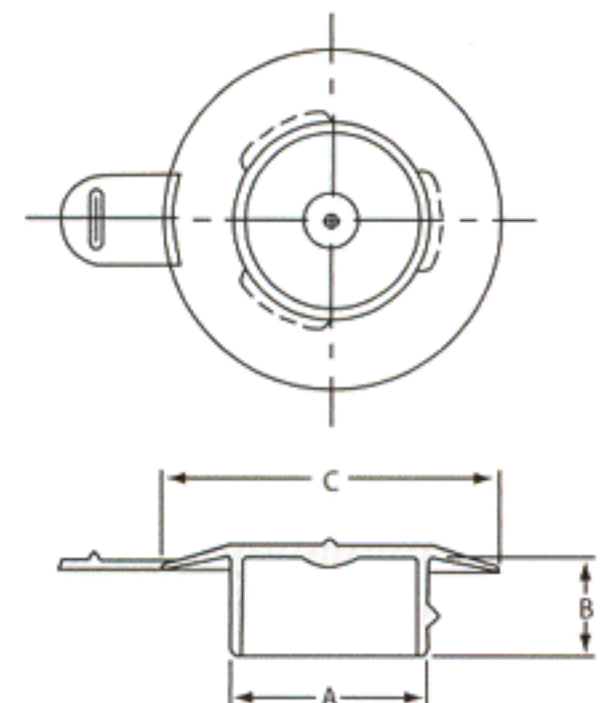
NEW



Series PIP-Tab Plugs are designed to fit SAE thread sizes. These parts offer the convenience of a push-in plug with the plugging quality of a threaded plug. Series PIP-Tab also has a convenient pull-tab for easy removal.



MATERIAL: Low Density Polyethylene  
COLOR\*: Black





# non-threaded PLUGS



## FP Series

| Dimensions              |                       | Packaging              |     |               |                   | Caplug No. |
|-------------------------|-----------------------|------------------------|-----|---------------|-------------------|------------|
|                         |                       | Standard Carton        |     | No. of Pieces | Mini Pak Quantity |            |
| To Fit Tube Size Inches | Wall Thickness Inches | Shipping Wt. (Approx.) |     |               |                   |            |
|                         |                       | lbs                    | kgs |               |                   |            |
| 0.75                    | .065 (16 Ga.)         | 14                     | 6.3 | 5000          | 1000              | FP-125     |
| 1.00                    | .120 (11 Ga.)         | 12                     | 5.4 | 2500          | 500               | FP-161     |
| 1.00                    | .083 (14 Ga.)         | 11                     | 4.9 | 2500          | 500               | FP-164     |
| 1.00                    | .065 (16 Ga.)         | 13                     | 5.8 | 2500          | 500               | FP-165     |
| 1.00                    | .049 (18 Ga.)         | 15                     | 6.8 | 2500          | 500               | FP-166     |
| 1.00                    | .035 (20 Ga.)         | 17                     | 7.6 | 2500          | 500               | FP-167     |
| 1.25                    | .120 (11 Ga.)         | 20                     | 9   | 2500          | 500               | FP-201     |
| 1.25                    | .083 (14 Ga.)         | 17                     | 7.6 | 2500          | 500               | FP-204     |
| 1.25                    | .065 (16 Ga.)         | 19                     | 8.6 | 2500          | 500               | FP-205     |
| 1.50                    | .120 (11 Ga.)         | 11                     | 4.9 | 1000          | 200               | FP-241     |
| 1.50                    | .083 (14 Ga.)         | 10                     | 4.5 | 1000          | 200               | FP-244     |
| 1.50                    | .065 (16 Ga.)         | 11                     | 4.9 | 1000          | 200               | FP-245     |
| 2.00                    | .120 (11 Ga.)         | 16                     | 7.2 | 1000          | 200               | FP-321     |
| 2.00                    | .083 (14 Ga.)         | 15                     | 6.8 | 1000          | 200               | FP-324     |
| 2.00                    | .065 (16 Ga.)         | 17                     | 7.6 | 1000          | 200               | FP-325     |

## PIP Series

| Dimensions                |                           |      |       |     |      |     |       | Packaging              |     |               |                   | Caplug No. |
|---------------------------|---------------------------|------|-------|-----|------|-----|-------|------------------------|-----|---------------|-------------------|------------|
|                           |                           |      |       |     |      |     |       | Standard Carton        |     | No. of Pieces | Mini Pak Quantity |            |
| To Fit Thread Size Inches | To Fit Thread Size Inches | A    |       | B   |      | C   |       | Shipping Wt. (Approx.) |     |               |                   |            |
|                           |                           | in   | mm    | in  | mm   | in  | mm    | lbs                    | kgs |               |                   |            |
| 1/4 SAE                   | -                         | .206 | 5.23  | .25 | 6.35 | .40 | 10.16 | 3                      | 1.3 | 5000          | 1000              | PIP-1/4*   |
| 3/8 SAE                   | 1/8 NPT                   | .317 | 8.05  | .24 | 6.10 | .59 | 14.99 | 4                      | 1.8 | 5000          | 1000              | PIP-3/8    |
| 7/16 SAE                  | -                         | ◇    | ◇     | ◇   | ◇    | ◇   | ◇     | 3                      | 1.3 | 5000          | 1000              | PIP-7/16   |
| 1/2 SAE                   | 1/4 NPT                   | .444 | 11.28 | .27 | 6.86 | .72 | 18.29 | 5                      | 2.2 | 5000          | 1000              | PIP-1/2    |
| 9/16 SAE                  | -                         | ◇    | ◇     | ◇   | ◇    | ◇   | ◇     | 5                      | 2.2 | 5000          | 1000              | PIP-9/16   |
| 5/8 SAE                   | 3/8 NPT                   | .558 | 14.17 | .29 | 7.37 | .96 | 24.38 | 7                      | 3.2 | 5000          | 1000              | PIP-5/8    |
| 3/4 SAE                   | -                         | ◇    | ◇     | ◇   | ◇    | ◇   | ◇     | 7                      | 3.2 | 5000          | 1000              | PIP-3/4    |
| 7/8 SAE                   | -                         | ◇    | ◇     | ◇   | ◇    | ◇   | ◇     | 8                      | 3.6 | 5000          | 1000              | PIP-7/8    |

## PIP-TAB Series

| Dimensions                |                           |       |       |      |      |      |       | Packaging              |     |               |                   | Caplug No.   |
|---------------------------|---------------------------|-------|-------|------|------|------|-------|------------------------|-----|---------------|-------------------|--------------|
|                           |                           |       |       |      |      |      |       | Standard Carton        |     | No. of Pieces | Mini Pak Quantity |              |
| To Fit Thread Size Inches | To Fit Thread Size Inches | A     |       | B    |      | C    |       | Shipping Wt. (Approx.) |     |               |                   |              |
|                           |                           | in    | mm    | in   | mm   | in   | mm    | lbs                    | kgs |               |                   |              |
| 3/8 SAE                   | 1/8 NPT                   | 0.317 | 8.05  | 0.24 | 6.10 | 0.59 | 14.99 | 4                      | 1.8 | 5000          | 1000              | PIP-3/8 TAB  |
| 7/16 SAE                  | -                         | ◇     | ◇     | ◇    | ◇    | ◇    | ◇     | 4                      | 1.8 | 5000          | 1000              | PIP-7/16 TAB |
| 1/2 SAE                   | 1/4 NPT                   | 0.444 | 11.28 | 0.27 | 6.86 | 0.72 | 18.29 | 6                      | 2.7 | 5000          | 1000              | PIP-1/2 TAB  |
| 9/16 SAE                  | -                         | ◇     | ◇     | ◇    | ◇    | ◇    | ◇     | 6                      | 2.7 | 5000          | 1000              | PIP-9/16 TAB |
| 5/8 SAE                   | 3/8 NPT                   | 0.558 | 14.17 | 0.29 | 7.37 | 0.96 | 24.38 | 8                      | 3.6 | 5000          | 1000              | PIP-5/8 TAB  |
| 3/4 SAE                   | -                         | ◇     | ◇     | ◇    | ◇    | ◇    | ◇     | 8                      | 3.6 | 5000          | 1000              | PIP-3/4 TAB  |
| 7/8 SAE                   | -                         | ◇     | ◇     | ◇    | ◇    | ◇    | ◇     | 9                      | 4.1 | 5000          | 1000              | PIP-7/8 TAB  |



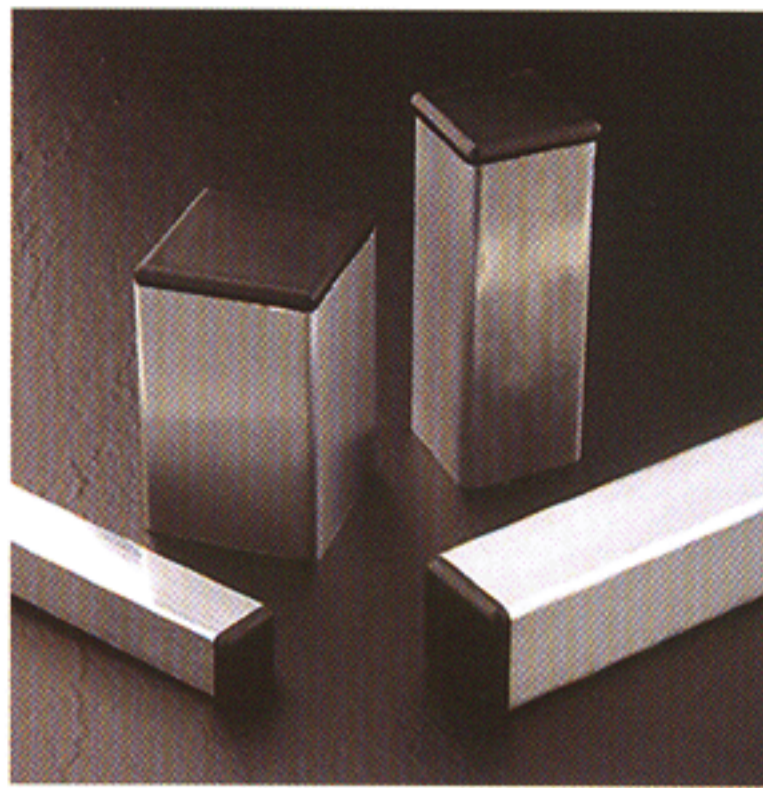


# PLUGS non-threaded

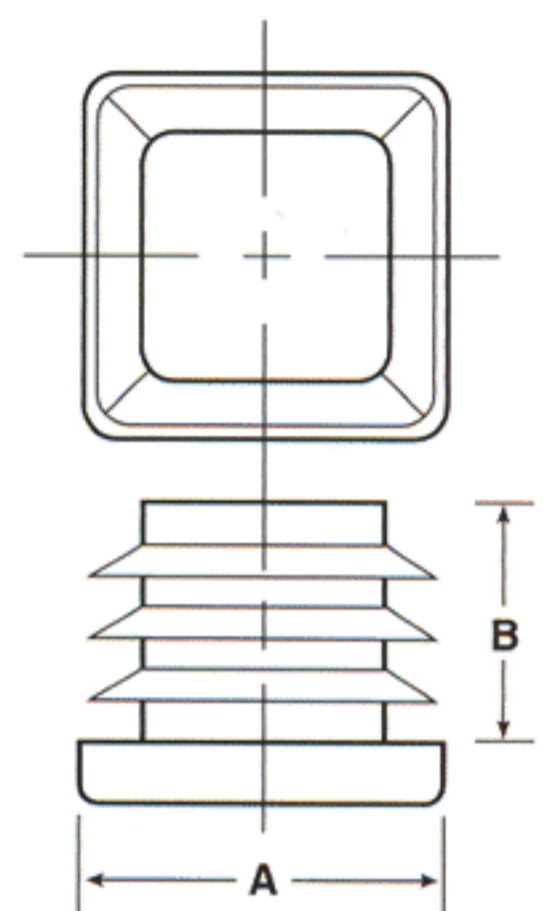
## SQR Series Plugs for Square Tubing



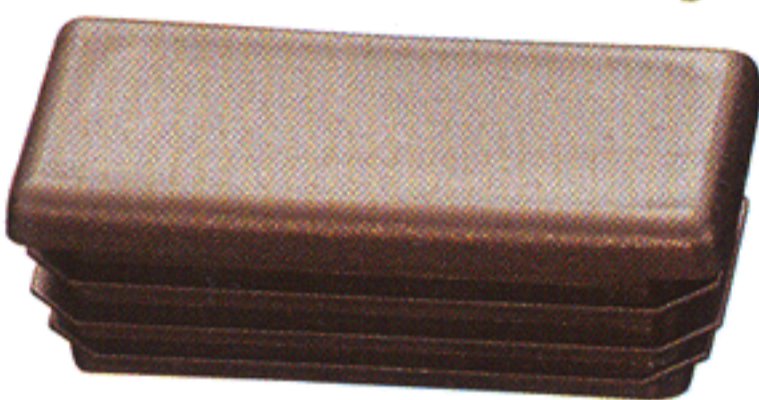
Series SQR Square Plugs feature a series of externally tapered ribs designed to accommodate a wide range of tubing gauges while also satisfying the fit adjustments on tubing with inside dimensional fluctuations. The exterior ribs are designed to provide a sure grip inside a tube without the unsightly plastic shavings found on many straight wall glide installations.



**MATERIAL:** Low Density Polyethylene  
**COLOR\*:** Black



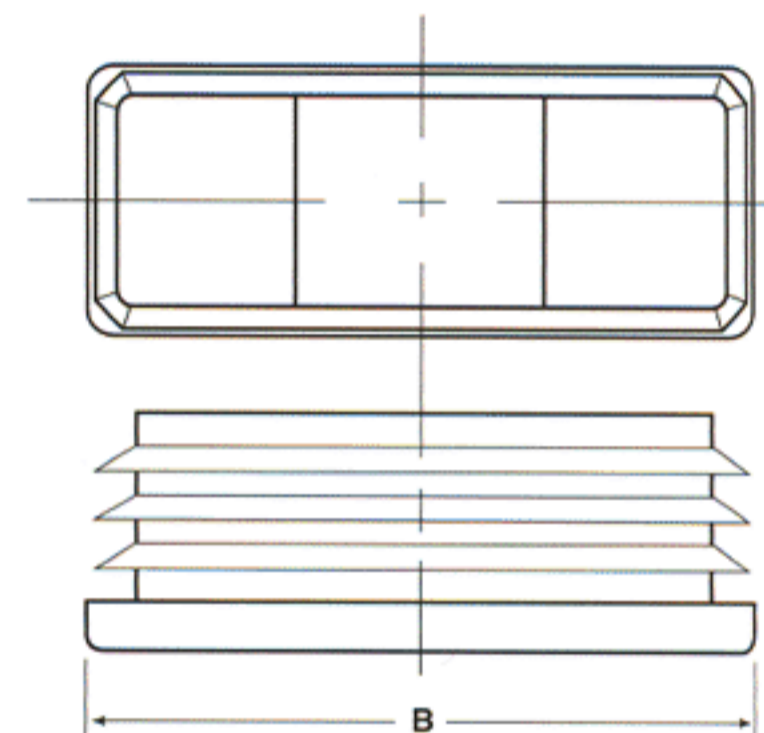
## RER Series Plugs for Rectangular Tubing



Featuring the same external rib design of Series SQR Square Plugs, Series RER Rectangular Plugs are offered in a broad selection of width to length proportions to fit many special tubing shapes found on stands for computer terminals and office machines, display fixtures, and similar metal furnishings and equipment. Durable construction ensures exceptional performance in business and commercial applications.



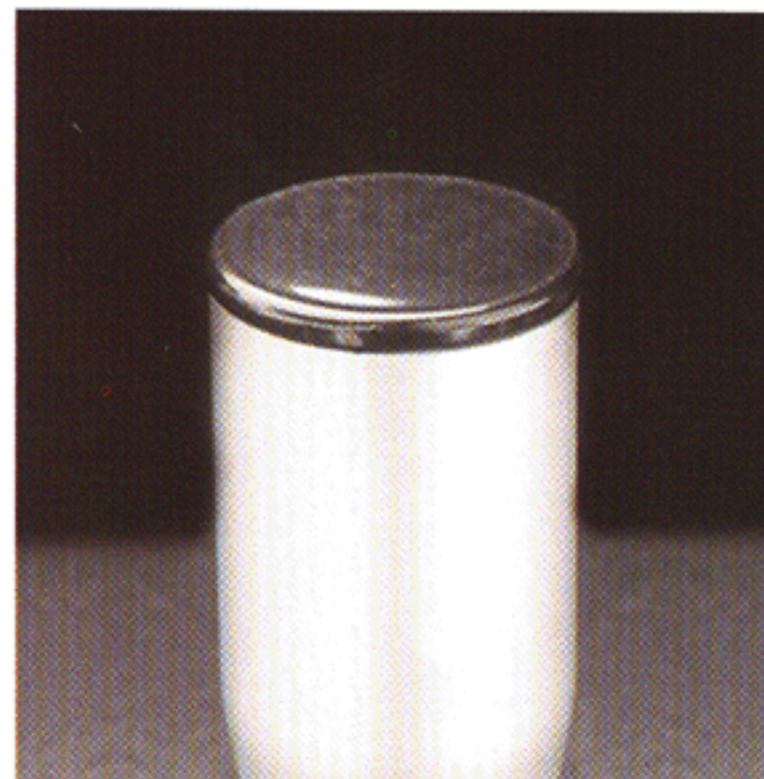
**MATERIAL:** Low Density Polyethylene  
**COLOR\*:** Black



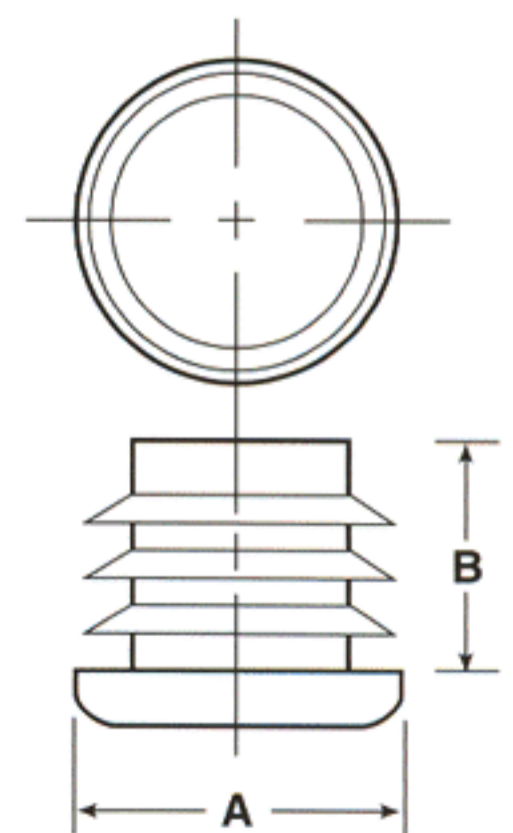
## CCF Series Plugs for Round Tubing



Durable construction and excellent gliding characteristics recommend Series CCF Round Plugs for use on a wide range of metal furniture, appliances, and similar items. Because they feature the same external rib design of Series SQR Square and Series RER Rectangular Plugs, a secure fit is ensured. A thick, impact- and abrasion-resistant base makes Series CCF plugs ideal tubing closures for products subject to heavy duty service or exposure to adverse environments. None of Caplugs Rib-Lok Load-Bearing Furniture Glides are subject to rust or corrosion.



**MATERIAL:** Low Density Polyethylene  
**COLOR\*:** Black





# non-threaded PLUGS



## SQR Series

| Dimensions                   |                       |      |    | Packaging             |     |                      |      | Caplug No.**    |
|------------------------------|-----------------------|------|----|-----------------------|-----|----------------------|------|-----------------|
| A - To Fit Tube Size<br>O.D. | Wall Thickness<br>in  | B    |    | Standard Carton       |     | Mini Pak<br>Quantity |      |                 |
|                              |                       | in   | mm | Shipping Wt.(Approx.) |     |                      |      |                 |
|                              |                       |      |    | lbs                   | kgs | No. of<br>Pieces     |      |                 |
| .500                         | 16-18 Ga. (.065-.049) | .44  | 11 | 8                     | 3.8 | 5000                 | 1000 | SQR-1/2-16-18   |
| .625                         | 14-20 Ga. (.083-.035) | .43  | 11 | 15                    | 6.7 | 5000                 | 1000 | SQR-5/8-14-20   |
| .750                         | 14-20 Ga. (.083-.035) | .43  | 11 | 11                    | 4.9 | 2500                 | 500  | SQR-3/4-14-20   |
| .875                         | 14-20 Ga. (.083-.035) | .43  | 11 | 18                    | 8.0 | 3000                 | 600  | SQR-7/8-14-20   |
| 1.000                        | 10-14 Ga. (.134-.083) | .43  | 11 | 19                    | 8.7 | 2500                 | 500  | SQR-1-10-14     |
| 1.000                        | 14-20 Ga. (.083-.035) | .43  | 11 | 19                    | 8.6 | 2500                 | 500  | SQR-1-14-20     |
| 1.125                        | 14-20 Ga. (.083-.035) | .49  | 12 | 16                    | 7.3 | 1500                 | 300  | SQR-1-1/8-14-20 |
| 1.250                        | 14-20 Ga. (.083-.035) | .52  | 13 | 15                    | 6.7 | 1000                 | 200  | SQR-1-1/4-14-20 |
| 1.500                        | 10-14 Ga. (.134-.083) | .52  | 13 | 18                    | 8.1 | 1000                 | 200  | SQR-1-1/2-10-14 |
| 1.500                        | 14-20 Ga. (.083-.035) | .52  | 13 | 19                    | 8.6 | 1000                 | 200  | SQR-1-1/2-14-20 |
| 1.750                        | 14-20 Ga. (.083-.035) | .52  | 13 | 15                    | 6.8 | 500                  | 100  | SQR-1-3/4-14-20 |
| 2.000                        | 10-14 Ga. (.134-.083) | .52  | 13 | 19                    | 8.7 | 500                  | 100  | SQR-2-10-14     |
| 2.000                        | 14-20 Ga. (.083-.035) | .52  | 13 | 19                    | 8.6 | 500                  | 100  | SQR-2-14-20     |
| 2.250                        | 10-14 Ga. (.134-.083) | .52  | 13 | 9                     | 4.3 | 200                  | 40   | SQR-2-1/4-10-14 |
| 2.500                        | 6-10 Ga. (.203-.134)  | .56  | 14 | 14                    | 6.2 | 300                  | 60   | SQR-2-1/2-6-10  |
| 3.000                        | 3-6 Ga. (.239-.194)   | 1.00 | 25 | 20                    | 9.4 | 150                  | 30   | SQR-3-3-6       |
| 4.000                        | 3-6 Ga. (.239-.194)   | 1.00 | 25 | 16                    | 7.3 | 75                   | 15   | SQR-4-3-6       |

## RER Series

| Dimensions |          |                       |     |    | Packaging             |     |                      |     | Caplug No.**          |
|------------|----------|-----------------------|-----|----|-----------------------|-----|----------------------|-----|-----------------------|
| A<br>in*   | B<br>in* | Wall Thickness<br>in* | C   |    | Standard Carton       |     | Mini Pak<br>Quantity |     |                       |
|            |          |                       | in  | mm | Shipping Wt.(Approx.) |     |                      |     |                       |
|            |          |                       |     |    | lbs                   | kgs | No. of<br>Pieces     |     |                       |
| .500       | 1.000    | 16-18 Ga. (.065-.049) | .43 | 11 | 11                    | 5.0 | 2500                 | 500 | RER-1/2x1-16-18       |
| .625       | 1.250    | 14-20 Ga. (.083-.035) | .43 | 11 | 14                    | 6.2 | 2000                 | 400 | RER-5/8x1-1/4-14-20   |
| .625       | 1.250    | 14 Ga. (.083)         | .50 | 13 | 15                    | 6.7 | 2000                 | 400 | REC-5/8x1-1/4-14†     |
| .625       | 1.375    | 14-20 Ga. (.083-.035) | .43 | 11 | 19                    | 8.8 | 2500                 | 500 | RER-5/8x1-3/8-14-20   |
| .750       | 1.500    | 14-20 Ga. (.083-.035) | .43 | 11 | 19                    | 8.5 | 2000                 | 400 | RER-3/4x1-1/2-14-20   |
| 1.000      | 1.250    | 14-20 Ga. (.083-.035) | .50 | 13 | 20                    | 9.0 | 2000                 | 400 | REC-1x1-1/4-14-20     |
| 1.000      | 1.500    | 14-20 Ga. (.083-.035) | .50 | 13 | 14                    | 6.3 | 1000                 | 200 | RER-1x1-1/2-14-20     |
| 1.000      | 2.000    | 10-14 Ga. (.134-.083) | .50 | 13 | 15                    | 7.0 | 1000                 | 200 | RER-1x2-10-14         |
| 1.000      | 2.000    | 14-20 Ga. (.083-.035) | .50 | 13 | 15                    | 6.7 | 1000                 | 200 | RER-1x2-14-20         |
| 1.000      | 2.500    | 16-18 Ga. (.065-.049) | .50 | 13 | 20                    | 9.2 | 1000                 | 200 | RER-1x2-1/2-16-18     |
| 1.000      | 3.000    | 14-20 Ga. (.083-.035) | .51 | 13 | 17                    | 7.8 | 500                  | 100 | RER-1x3-14-20         |
| 1.500      | 2.500    | 12-16 Ga. (.105-.065) | .53 | 13 | 14                    | 6.3 | 300                  | 60  | RER-1-1/2x2-1/2-12-16 |
| 2.000      | 3.000    | 10-14 Ga. (.134-.083) | .52 | 13 | 15                    | 6.7 | 250                  | 50  | RER-2x3-10-14         |
| 40mm       | 80mm     | 3-4mm                 | .94 | 24 | 18                    | 8.2 | 250                  | 50  | RER-40x80-3-4mm       |
| 2.000      | 4.000    | 6-12 Ga. (.194-.105)  | .65 | 17 | 17                    | 7.7 | 200                  | 40  | RER-2x4-6-12          |

## CCF Series

| Dimensions                   |                       |     |    | Packaging              |      |                      |      | Caplug No.**    |
|------------------------------|-----------------------|-----|----|------------------------|------|----------------------|------|-----------------|
| A - To Fit Tube Size<br>O.D. | Wall Thickness<br>in  | B   |    | Standard Carton        |      | Mini Pak<br>Quantity |      |                 |
|                              |                       | in  | mm | Shipping Wt. (Approx.) |      |                      |      |                 |
|                              |                       |     |    | lbs                    | kgs  | No. of<br>Pieces     |      |                 |
| .500                         | 16-20 Ga. (.065-.035) | .45 | 11 | 13                     | 6.0  | 10000                | 1000 | CCF-1/2-16-20   |
| .625                         | 14-20 Ga. (.083-.035) | .44 | 11 | 12                     | 5.5  | 5000                 | 1000 | CCF-5/8-14-20   |
| .750                         | 14-20 Ga. (.083-.035) | .44 | 11 | 17                     | 7.5  | 5000                 | 1000 | CCF-3/4-14-20   |
| .875                         | 14-20 Ga. (.083-.035) | .44 | 11 | 18                     | 8.0  | 4000                 | 800  | CCF-7/8-14-20   |
| 1.000                        | 10-14 Ga. (.134-.083) | .44 | 11 | 21                     | 9.7  | 4000                 | 800  | CCF-1-10-14     |
| 1.000                        | 14-20 Ga. (.083-.035) | .44 | 11 | 22                     | 10.1 | 4000                 | 800  | CCF-1-14-20     |
| 1.125                        | 14-20 Ga. (.083-.035) | .52 | 13 | 19                     | 8.7  | 2500                 | 500  | CCF-1-1/8-14-20 |
| 1.250                        | 14-20 Ga. (.083-.035) | .52 | 13 | 14                     | 6.3  | 1500                 | 300  | CCF-1-1/4-14-20 |
| 1.500                        | 14-20 Ga. (.083-.035) | .52 | 13 | 18                     | 8.0  | 1500                 | 300  | CCF-1-1/2-14-20 |
| 1.625                        | 14-20 Ga. (.083-.035) | .52 | 13 | 15                     | 6.7  | 1000                 | 200  | CCF-1-5/8-14-20 |
| 1.750                        | 14-20 Ga. (.083-.035) | .59 | 15 | 17                     | 7.6  | 1000                 | 200  | CCF-1-3/4-14-20 |
| 2.000                        | 10-14 Ga. (.134-.083) | .59 | 15 | 11                     | 5.1  | 500                  | 100  | CCF-2-10-14     |
| 2.000                        | 14-20 Ga. (.083-.035) | .59 | 15 | 11                     | 5.0  | 500                  | 100  | CCF-2-14-20     |
| 2.250                        | 10-14 Ga. (.134-.083) | .66 | 17 | 15                     | 6.6  | 500                  | 100  | CCF-2-1/4-10-14 |
| 2.375                        | 10-14 Ga. (.134-.083) | .66 | 17 | 13                     | 5.7  | 400                  | 80   | CCF-2-3/8-10-14 |
| 2.500                        | 8-12 Ga. (.165-.109)  | .69 | 18 | 15                     | 6.9  | 400                  | 80   | CCF-2-1/2-8-12  |
| 2.500                        | 14-20 Ga. (.083-.035) | .69 | 18 | 13                     | 6.0  | 400                  | 80   | CCF-2-1/2-14-20 |

feature plain shank style

les and ordering assistance  
www.caplugs.com or call

1-888-Caplugs® (227-5847)

In Canada 1-800-387-7115