



CAPS threaded

PC Series Plastic Threaded Caps for Pipe Ends

EXPANDED

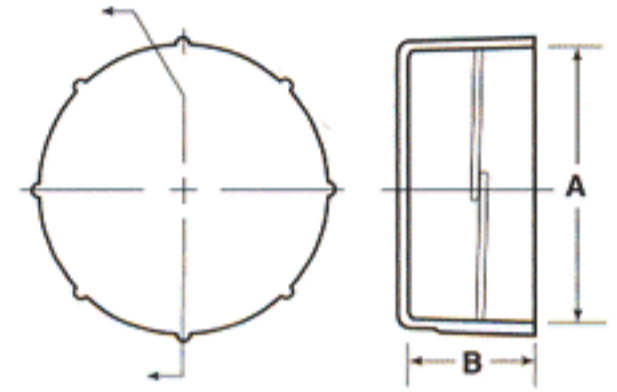


Heavy wall polyethylene Series PC Caps ensure protection for threaded pipe ends. Extra length provides sealing on pipe surface beyond last thread. These caps not only protect the NPT threads from damage during handling and storage, but they also prevent moisture, debris and rodents from entering the pipe.

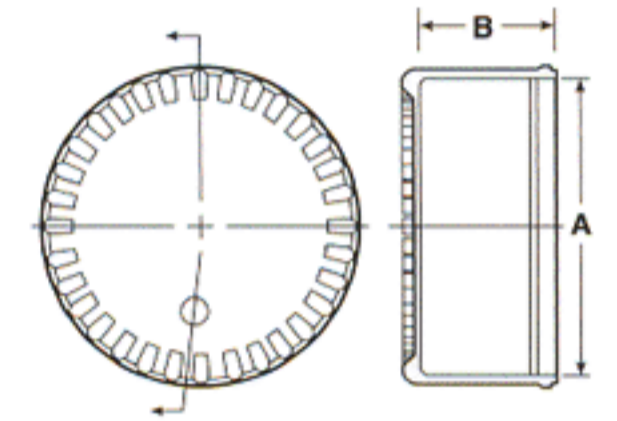


MATERIAL: Low Density Polyethylene
COLOR*: as shown in spec table

PC-3/8 thru PC-2



PC-6, -8 have ribbing
 PC-3, -3 1/2, -4, -5, -10, -12, are smooth
 Built-in thin membrane for optional venting





PC Series

Dimensions					Packaging					Caplug No.
To Fit Thread Size	A		B		Color	Standard Carton		Mini Pak Quantity		
	in	mm	in	mm		Shipping Wt. (Approx.)			No. of Pieces	
						lbs	kgs			
3/8 NPT	.68	17.27	.50	12.70	Black	9	4.0	5000	1000	PC-3/8 (602)
1/2 NPT	.84	21.34	.87	22.10	Black	21	9.4	2500	500	PC-1/2 (603)
3/4 NPT	1.05	26.67	.91	23.11	Black	13	5.8	2500	500	PC-3/4 (604)
1 NPT	1.32	33.53	1.05	26.67	Black	13	5.8	1000	200	PC-1 (605)
1 1/4 NPT	1.66	42.17	1.05	26.67	Black	18	8.1	1000	200	PC-1 1/4 (606)
1 1/2 NPT	1.90	48.26	1.07	27.18	Black	11	4.9	500	100	PC-1 1/2 (607)
2 NPT	2.38	60.45	1.09	27.69	Black	15	6.8	500	100	PC-2 (608)
3 NPT	3.50	88.90	2.00	50.80	Black	25	11.2	300	60	PC-3
3 1/2 NPT	4.02	102.00	2.34	59.44	Black	25	11.3	150	N/A	PC-3 1/2
4 NPT	4.50	114.30	2.10	53.34	Black	24	10.8	150	N/A	PC-4
5 NPT	5.56	141.23	2.21	56.14	Black	23	10.3	100	N/A	PC-5
6 NPT	6.62	168.15	2.32	58.93	Black	18	8.1	60	N/A	PC-6
8 NPT	8.62	218.96	2.50	63.50	Black	18	8.1	35	N/A	PC-8
10 NPT	10.75	273.06	2.80	71.12	Blue	18	8.1	40	N/A	PC-10
12 NPT	12.88	327.16	2.53	64.26	Blue	22	9.9	25	N/A	PC-12