



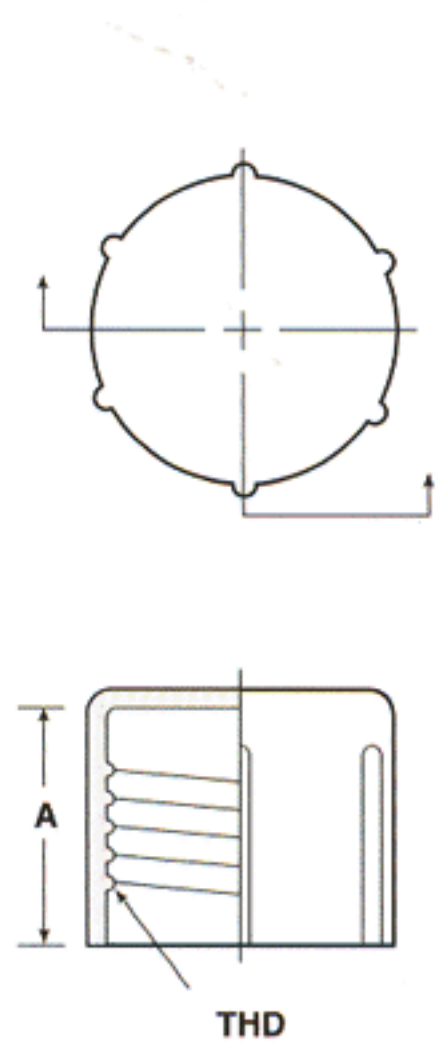
# CAPS threaded

## CD Series Threaded Plastic Caps for Flared JIC Fittings

Knurled for ease of application, Series CD Caps seal flared JIC fittings exceptionally well against dirt and moisture, as well as for masking during dipping, painting and plating.



MATERIAL: Low Density Polyethylene  
COLOR\*: Red

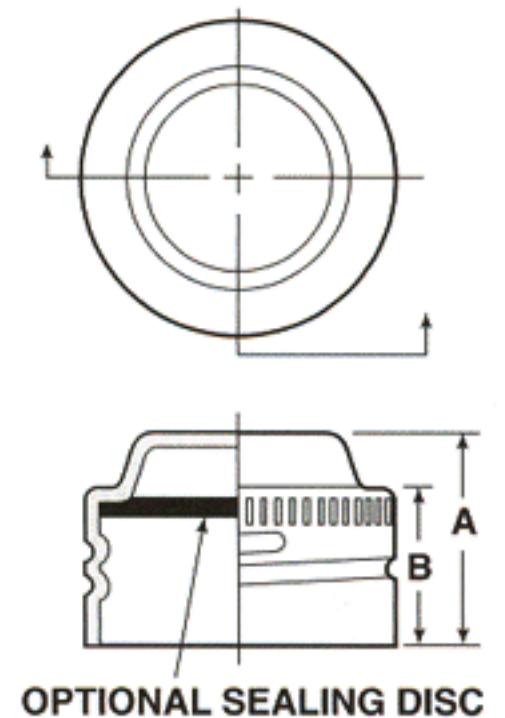


## ASC Series Threaded Aluminum Caps for Threaded, Flared Fittings

A standard aerospace and fluid power protective cap, the Series ASC has a nose-section design that forms a low-pressure seal on threaded, flared fittings. A more positive seal is possible with the addition of a sealing disc (Series ASC-DN). Stock sealing discs are Neoprene; Butyl or Buna N rubber are also available.



MATERIAL: 3003-0 Aluminum Alloy





# threaded CAPS



MIL-C-52078, MIL-C-5501/3, MIL-C-5501/11, (NAS-814), NAS-832

## CD Series

Dimensions					Packaging			Mini Pak Quantity	Caplug No.
To Fit Tube Size	To Fit Thread Size	A		No. of Ribs	Standard Carton				
		in	mm		Shipping Wt. (Approx.)				
					lbs	kgs	No. of Pieces		
-	1/4-36	.22	5.55	4	4	1.8	5000	1000	CD-2
3/16	3/8-24	.47	11.94	4	7	3.1	5000	1000	CD-3
1/4	7/16-20	.47	11.94	4	7	3.1	5000	1000	CD-4
1/4	7/16-24	.30	7.62	4	5	2.2	5000	1000	CD-41
5/16	1/2-20	.47	11.94	6	9	4.0	5000	1000	CD-5
3/8	9/16-18	.53	13.46	6	10	4.5	5000	1000	CD-6
3/8	5/8-18	.53	13.46	6	12	5.4	5000	1000	CD-6A
3/8	5/8-18	.41	10.41	6	10	4.5	5000	1000	CD-66
-	5/8-24	.41	10.41	6	8	3.6	5000	1000	CD-67
1/2	3/4-16	.57	14.48	6	15	6.8	5000	1000	CD-8
-	3/4-20	.50	12.70	6	13	5.8	5000	1000	CD-82
5/8	7/8-14	.68	17.27	6	20	9.0	5000	1000	CD-10
5/8	7/8-18	.44	11.18	6	15	6.8	5000	1000	CD-101
-	1-14	.78	19.81	8	13	5.8	2500	500	CD-11
3/4	1 1/16-12	.75	19.05	8	17	7.6	2500	500	CD-12
3/4	1 1/16-14	.75	19.05	8	15	6.8	2500	500	CD-12A
-	1 1/8-18	.50	12.70	8	11	4.9	2500	500	CD-130
7/8	1 3/16-12	.94	23.88	6	19	8.6	2500	500	CD-14
-	1 1/4-18	.50	12.70	8	13	5.8	2500	500	CD-150
1	1 5/16-12	.84	21.34	8	11	4.9	1000	200	CD-16
1	1 3/8-18	.50	12.70	8	15	6.8	2500	500	CD-170
-	1 1/2-12	.75	19.05	8	13	5.8	1000	200	CD-18
1 1/4	1 5/8-12	.91	23.11	8	12	5.4	1000	200	CD-20
-	1 3/4-12	.94	23.88	8	11	4.9	1000	200	CD-22
1 1/2	1 7/8-12	1.00	25.40	8	14	6.3	1000	200	CD-24
-	3-12	1.16	29.47	12	12	5.4	250	50	CD-400

MIL-C-5501/3, NAS-817, NAS-835

## ASC Series

Dimensions						Packaging			Mini Pak Quantity	Caplug No.
To Fit Tube Size	To Fit Thread Size	A		B		Standard Carton				
		in	mm	in	mm	Shipping Wt. (Approx.)				
						lbs	kgs	No. of Pieces		
1/8	5/16-24	.42	10.67	.33	9.65	5	2.2	5000	1000	ASC-2
3/16	3/8-24	.36	9.14	.30	7.62	6	2.7	5000	1000	ASC-3
1/4	7/16-20	.54	13.72	.46	11.68	9	4.0	5000	1000	ASC-4
5/16	1/2-20	.52	13.21	.43	10.92	9	4.0	5000	1000	ASC-5
3/8	9/16-18	.54	13.72	.46	11.68	14	6.3	6000	1000	ASC-6
7/16	5/8-18	.61	15.49	.52	13.21	15	6.8	5000	1000	ASC-7
1/2	3/4-16	.64	16.26	.55	13.97	23	10.3	6000	1000	ASC-8
5/8	7/8-14	.74	18.80	.65	16.51	13	5.8	3700	500	ASC-10
3/4	1 1/16-12	.85	21.59	.76	19.30	18	8.1	2200	500	ASC-12
1	1 5/16-12	.86	21.84	.76	19.30	13	5.8	1400	200	ASC-16
1 1/4	1 5/8-12	.87	22.22	.71	18.25	12	5.4	950	190	ASC-20