



CAPS Polaris Vinyl

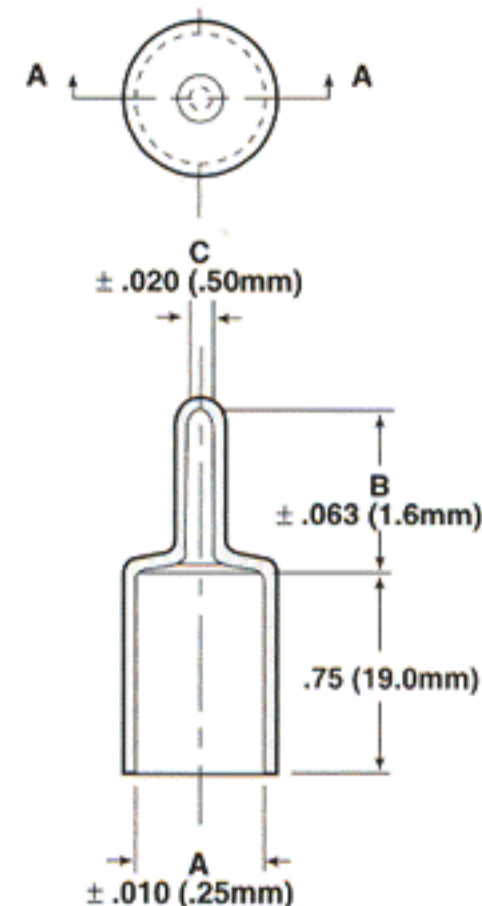
EZ Series Flexible Vinyl Caps with Pull-Tab for Easy Removal

Series EZ-Pull Vinyl Caps feature an extra long tab centered at the top of the closure which allows the cap to be finger-removed easily, eliminating the use of tools which could damage threads or part surfaces. Molded from a specially formulated and flexible vinyl which enables a snug fit on parts, thereby providing better protection against dirt, moisture and impact damage.



MATERIAL: Vinyl
COLORS*: White, Black, Brown, Orange, Red, Green, Grey, Blue, Yellow – Call factory for colors in stock

AVAILABILITY: Consult Factory

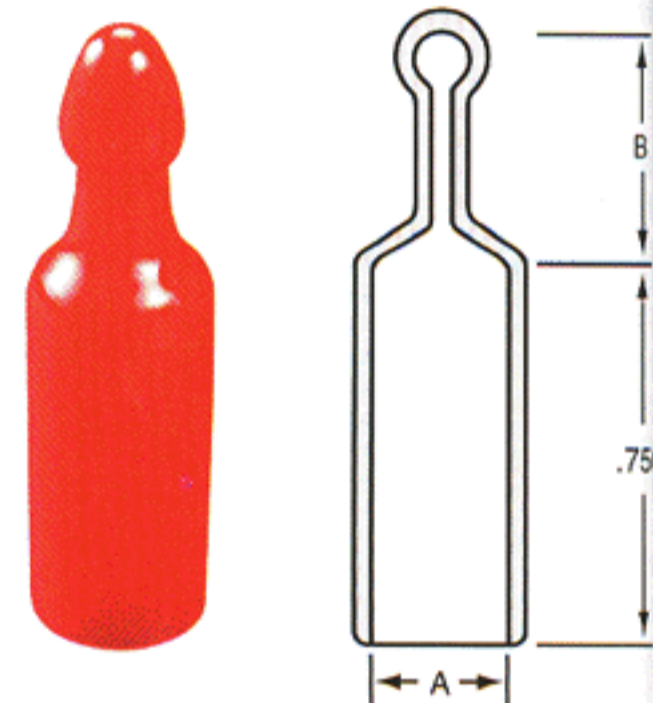


Note:

- EZ-187 through EZ-240 have a maximum length of 1.5".
- EZ-240 through EZ-1480 have various maximum lengths of up to 4". Call factory for details.



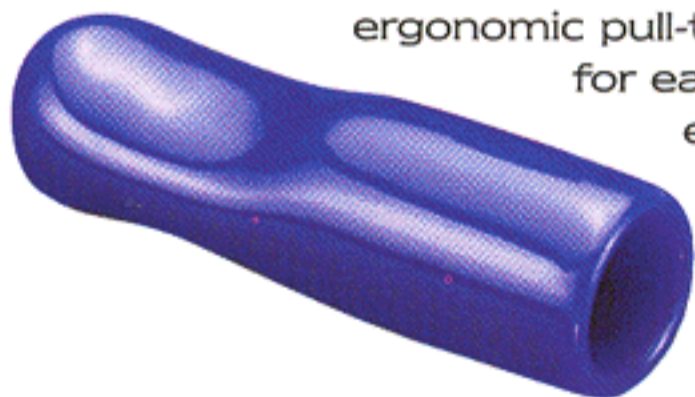
EZ Series



All EZ Series parts are also available in special ergonomic pull-tab style EZ Series. Consult factory. (Not available in high temp material)

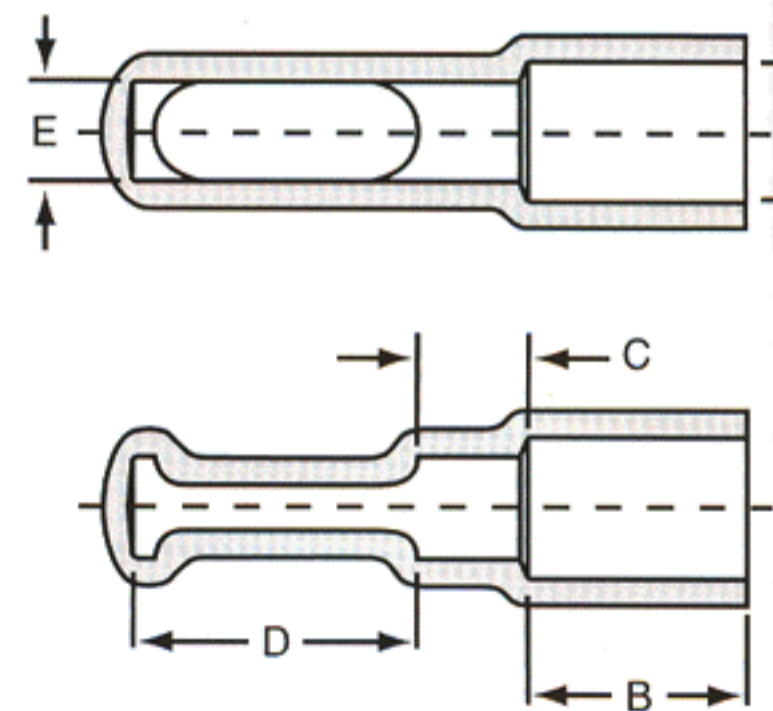
VFE Series Vinyl Caps with Flat Ergonomic Pull-Tab

Series VFE Caps feature a long, flat ergonomic pull-tab, which allows for easy removal. The ergonomic design offers an easier gripping surface and requires less pull for removal.



MATERIAL: Vinyl
COLORS*: White, Black, Brown, Orange, Red, Green, Grey, Blue, Yellow – Call factory for colors in stock

AVAILABILITY: Consult Factory



EXPANDED

NEW



EZ Series

Dimensions						Packaging					Caplug No.
A		B		C		Standard Carton		No. of Pieces	Mini Pak Quantity		
in	mm	in	mm	in	mm	Shipping Wt. (Approx.)					
						lbs	kgs				
0.187	4.74	0.500	12.70	0.093	2.36	11	5.0	5000	1000	EZ-187-12	
0.207	5.26	0.500	12.70	0.093	2.36	13	5.9	5000	1000	EZ-207-12	
0.215	5.46	0.500	12.70	0.093	2.36	11	5.0	5000	1000	EZ-215-12	
0.240	6.09	0.625	15.87	0.125	3.17	17	7.7	4000	800	EZ-240-12	
0.303	7.69	0.625	15.87	0.125	3.17	19	8.6	4000	800	EZ-303-12	
0.365	9.27	0.625	15.87	0.125	3.17	19	8.6	3500	700	EZ-365-12	
0.386	9.80	0.625	15.87	0.125	3.17	15	6.8	4000	800	EZ-386-12	
0.406	10.31	0.625	15.87	0.125	3.17	17	7.7	4000	800	EZ-406-12	
0.427	10.84	0.625	15.87	0.125	3.17	18	8.1	3000	600	EZ-427-12	
0.460	11.68	0.500	12.70	0.100	2.54	18	8.1	3000	600	EZ-460-12	
0.490	12.44	0.687	17.44	0.125	3.17	17	7.7	2500	500	EZ-490-12	
0.552	14.02	0.687	17.44	0.125	3.17	19	8.6	2500	500	EZ-552-12	
0.600	15.24	0.812	20.62	0.187	4.75	14	6.4	2000	400	EZ-600-12	
0.615	15.62	0.687	17.44	0.125	3.17	16	7.2	2000	400	EZ-615-12	
0.655	16.63	0.875	22.22	0.187	4.75	16	7.3	2000	400	EZ-655-12	
0.670	17.02	0.800	20.32	0.190	4.83	18	8.1	2000	400	EZ-670-12	
0.677	17.19	0.812	20.62	0.187	4.75	19	8.6	2000	400	EZ-677-12	
0.695	17.65	0.812	20.62	0.187	4.75	13	5.9	1500	300	EZ-695-12	
0.735	18.66	0.812	20.62	0.187	4.75	16	7.2	1500	300	EZ-735-12	
0.760	19.30	0.800	20.32	0.190	4.83	10	4.5	2000	400	EZ-760-12	
0.797	20.24	0.812	20.62	0.187	4.75	16	7.3	1500	300	EZ-797-12	
0.835	21.20	0.843	21.41	0.187	4.75	17	7.7	1500	300	EZ-835-12	
0.860	21.84	0.843	21.41	0.187	4.75	18	8.1	1500	300	EZ-860-12	
0.922	23.41	0.875	22.22	0.187	4.75	12	5.4	1000	200	EZ-922-12	
0.985	25.01	0.875	22.22	0.187	4.75	17	7.7	1250	250	EZ-985-12	
1.048	27.53	1.000	25.40	0.187	4.75	15	6.8	1000	200	EZ-1048-12	
1.110	28.19	1.125	28.58	0.187	4.75	17	7.7	1000	200	EZ-1110-12	
1.175	29.85	0.750	19.05	0.325	8.26	12	5.4	600	120	EZ-1175-12	
1.230	31.24	1.125	28.58	0.187	4.75	15	6.8	900	180	EZ-1230-12	
1.355	34.41	1.125	28.58	0.250	6.35	22	10.0	800	160	EZ-1355-12	
1.480	37.59	1.000	25.40	0.250	6.35	16	7.3	800	160	EZ-1480-12	

VFE Series

Dimensions										Packaging				Caplug No.
A		B		C		D		E		Standard Carton		Mini Pak Quantity		
in	mm	in	mm	in	mm	in	mm	in	mm	Shipping Wt. (Approx.)				
										lbs	kgs	No. of Pieces		
0.312	7.92	0.500	12.70	0.145	3.68	0.600	15.24	0.231	5.87	30	13.6	5000	1000	VFE-312-8
0.320	8.13	0.625	15.88	0.100	2.54	0.600	15.24	0.300	7.62	45	20.4	8000	1000	VFE-320-10
0.375	9.53	0.500	12.70	0.325	8.26	0.600	15.24	0.250	6.35	36	16.3	5000	1000	VFE-375-8
0.406	10.31	1.750	44.45	-	-	0.650	16.51	0.406	10.31	18	8.1	2000	400	VFE-406-28
0.420	10.67	0.625	15.88	0.170	4.32	0.570	14.48	0.300	7.62	32	14.5	5000	1000	VFE-420-10
0.437	11.10	0.500	12.70	0.155	3.94	0.600	15.24	0.350	8.89	47	21.3	5000	1000	VFE-437-8
0.450	11.43	0.375	9.53	0.300	7.62	0.600	15.24	0.385	9.78	60	27.2	8000	1000	VFE-450-6
0.500	12.70	0.500	12.70	0.325	8.26	0.600	15.24	0.380	9.65	62	28.1	5000	1000	VFE-500-8
0.530	13.46	0.625	15.88	-	-	0.500	12.70	0.320	8.13	43	19.5	4000	800	VFE-530-10
0.595	15.11	0.625	15.88	0.225	5.72	0.675	17.15	0.450	11.43	20	9.1	2500	500	VFE-595-10
0.750	19.05	0.750	19.05	0.315	8.00	0.570	14.48	0.300	7.62	39	17.7	3000	600	VFE-750-12
1.000	25.40	0.625	15.88	0.375	9.53	0.600	15.24	0.590	14.99	14	6.4	500	100	VFE-1000-10
1.125	28.58	0.750	19.05	0.375	9.53	0.650	16.51	0.640	16.26	61	27.7	2000	400	VFE-1125-12