



CAPS non-threaded

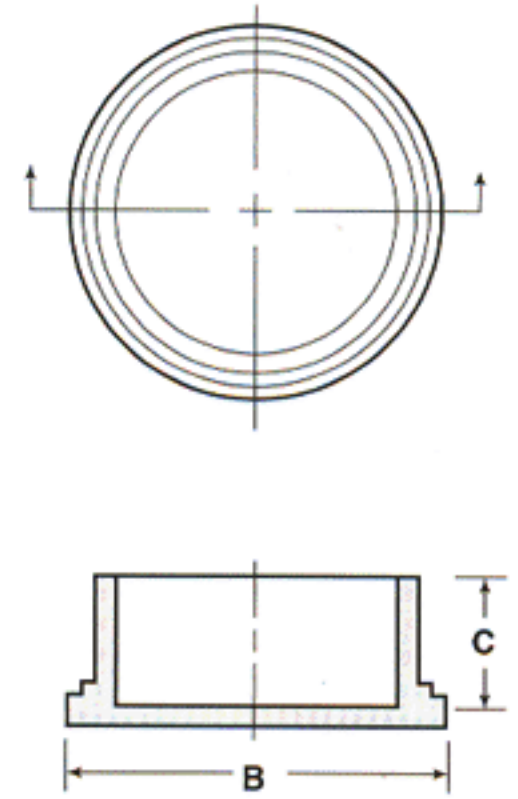
SEC Series Electrostatic-Free Caps for Threaded Connectors



Static Dissipative SEC Series Caplugs provide positive ESD and physical protection for all common sizes of threaded electrical and electronic connectors. Also suitable for protecting non-threaded bayonet-type connectors.



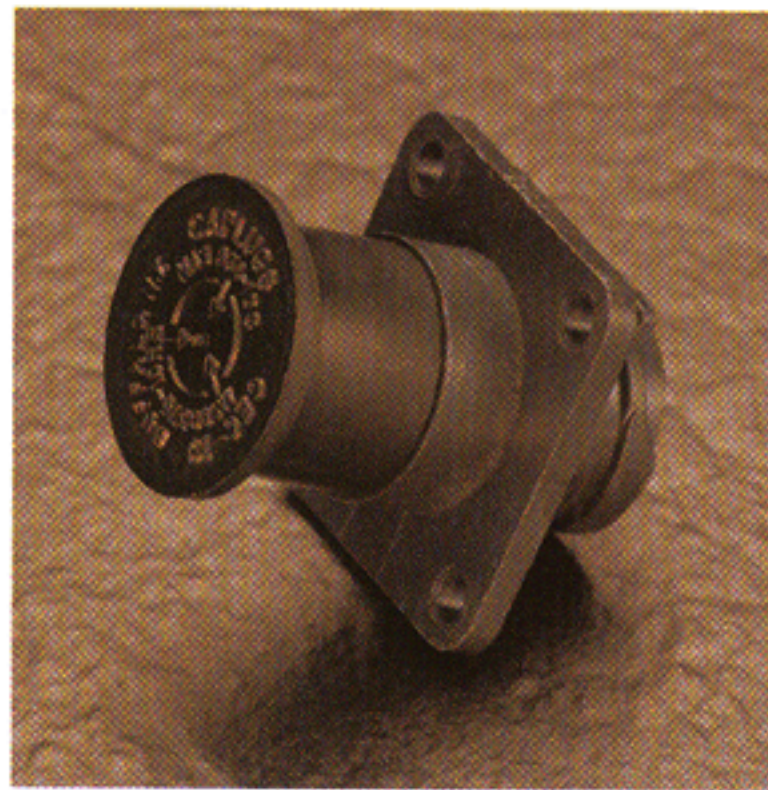
MATERIAL: Static Dissipative Polyethylene
COLOR: Pink



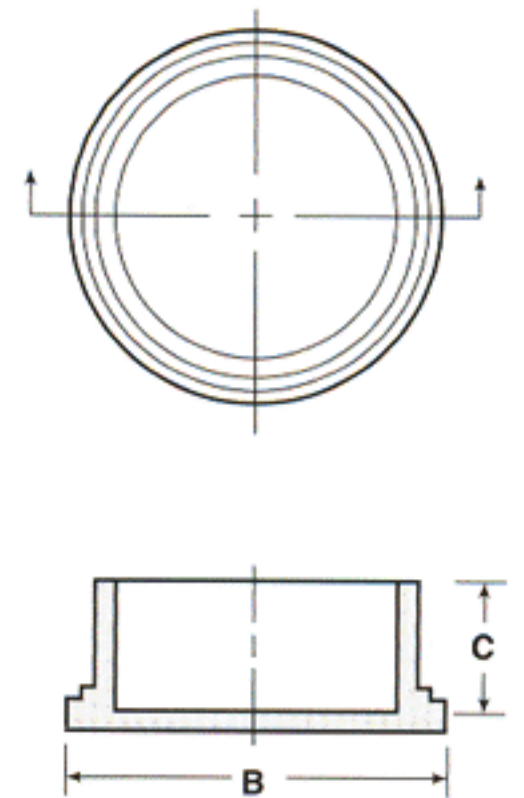
CEC Series Conductive Caps



For all common sizes of threaded electrical and electronic connectors, Caplugs CEC Conductive Caps are also suitable for protecting non-threaded bayonet-type connectors. In addition to dissipating electrostatic charges, they provide an electrical shield over the end of the connector.



MATERIAL: Conductive Polyethylene
COLOR: Black



non-threaded CAPS



SEC Series

MS-90376-RF, NAS-831B

Dimensions					Packaging			Mini Pak Quantity	Caplug No.
To Fit Thread Size	B		C		Standard Carton**				
	in	mm	in	mm	Shipping Wt. (Approx.)				
					lbs	kgs	No. of Pieces		
1/4	.48	12.19	.50	12.70	7	3.1	5000	1000	SEC-04
5/16	.55	13.97	.56	14.22	8	3.6	5000	1000	SEC-05
3/8	.62	15.75	.50	12.70	9	4.0	5000	1000	SEC-06
1/2	.74	18.79	.50	12.70	10	4.5	5000	1000	SEC-08
9/16	.78	19.81	.44	11.18	11	4.9	5000	1000	SEC-09
5/8	.84	21.34	.50	12.70	11	4.9	5000	1000	SEC-10
3/4	.97	24.63	.50	12.70	15	6.8	5000	1000	SEC-12
7/8	1.12	28.44	.50	12.70	18	8.1	5000	1000	SEC-14
1	1.22	30.98	.50	12.70	11	4.9	2500	500	SEC-16
1 1/8	1.33	33.78	.56	14.22	12	5.4	2500	500	SEC-18
1 3/16	1.40	35.56	.56	14.22	13	5.8	2500	500	SEC-19
1 1/4	1.46	37.09	.56	14.22	17	7.6	2500	500	SEC-20
1 3/8	1.59	40.39	.56	14.22	17	7.6	2500	500	SEC-22
1 7/16	1.65	41.91	.56	14.22	11	4.9	1000	200	SEC-23
1 1/2	1.70	43.18	.56	14.22	18	8.1	2500	500	SEC-24
1 9/16	1.73	43.94	.48	12.19	17	7.6	2500	500	SEC-25
1 5/8	1.91	48.51	.55	13.97	12	5.4	1000	200	SEC-26
1 3/4	1.95	49.53	.56	14.22	13	5.8	1000	200	SEC-28
2	2.20	55.88	.56	14.22	13	5.8	1000	200	SEC-32
2 1/4	2.43	61.72	.60	15.24	16	7.2	1000	200	SEC-36
2 1/2	2.68	68.07	.62	15.75	17	7.6	1000	200	SEC-40
2 3/4	2.96	75.19	.60	15.24	11	4.9	500	100	SEC-44
3	3.22	81.78	.60	15.24	14	6.3	500	100	SEC-48

CEC Series

MS-90376-RB, NAS-831C

Dimensions					Packaging			Mini Pak Quantity	Caplug No.
To Fit Thread Size	B		C		Standard Carton**				
	in	mm	in	mm	Shipping Wt. (Approx.)				
					lbs	kgs	No. of Pieces		
1/4	.48	12.19	.49	12.45	7	3.1	5000	1000	CEC-04
5/16	.56	14.22	.56	14.22	9	4.0	5000	1000	CEC-05
3/8	.62	15.75	.51	12.95	10	4.5	5000	1000	CEC-06
1/2	.73	18.54	.50	12.70	13	5.8	5000	1000	CEC-08
5/8	.84	21.34	.50	12.70	15	6.8	5000	1000	CEC-10
3/4	.97	24.64	.50	12.70	19	8.6	5000	1000	CEC-12
7/8	1.15	29.21	.50	12.70	23	10.3	5000	1000	CEC-14
1	1.23	31.24	.50	12.70	14	6.3	2500	500	CEC-16
1 1/8	1.36	34.55	.56	14.22	16	7.2	2500	500	CEC-18
1 3/16	1.42	36.07	.56	14.22	18	8.1	2500	500	CEC-19
1 1/4	1.48	37.59	.57	14.48	24	10.8	2500	500	CEC-20
1 3/8	1.63	41.40	.57	14.48	23	10.3	2500	500	CEC-22
1 7/16	1.68	42.67	.56	14.22	9	4.0	1000	200	CEC-23
1 1/2	1.70	43.18	.56	14.22	24	10.8	2500	500	CEC-24
1 9/16	1.75	44.45	.50	12.70	25	11.2	2500	500	CEC-25
1 5/8	1.93	49.02	.56	14.22	13	5.8	1000	200	CEC-26
1 3/4	2.01	51.06	.56	14.22	16	7.2	1000	200	CEC-28
1 13/16	2.03	51.56	.56	14.22	14	6.3	1000	200	CEC-29
2	2.23	56.64	.55	13.97	17	7.6	1000	200	CEC-32
2 1/4	2.46	62.49	.62	15.75	19	8.6	1000	200	CEC-36
2 1/2	2.70	68.58	.62	15.75	17	7.6	1000	200	CEC-40
2 3/4	2.99	75.95	.62	15.75	11	4.9	500	100	CEC-44
3	3.27	83.06	.60	15.24	14	6.3	500	100	CEC-48
4	4.19	106.43	1.01	25.66	10	4.5	200	40	CEC-64

Dispersive Caplugs and CEC Conductive Caplugs are packaged in static dissipative poly bags.