



CAPS non-threaded

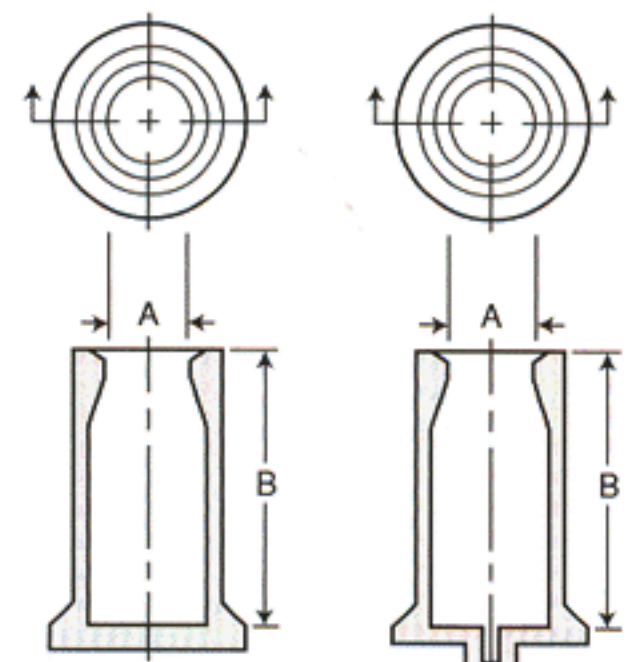
SFC Series Silicone Flange Caps



Series SFC Flange Caps feature a design which simplifies the application and removal of the cap. An internal lip on the open end provides a positive seal to prevent paint and other contaminants from seeping onto the part. A flanged head enables the cap to be manually removed with ease. Some sizes have provisions for venting air which may unseat the closure during processing at high temperatures.



MATERIAL: Silicone Rubber
COLOR*: Natural

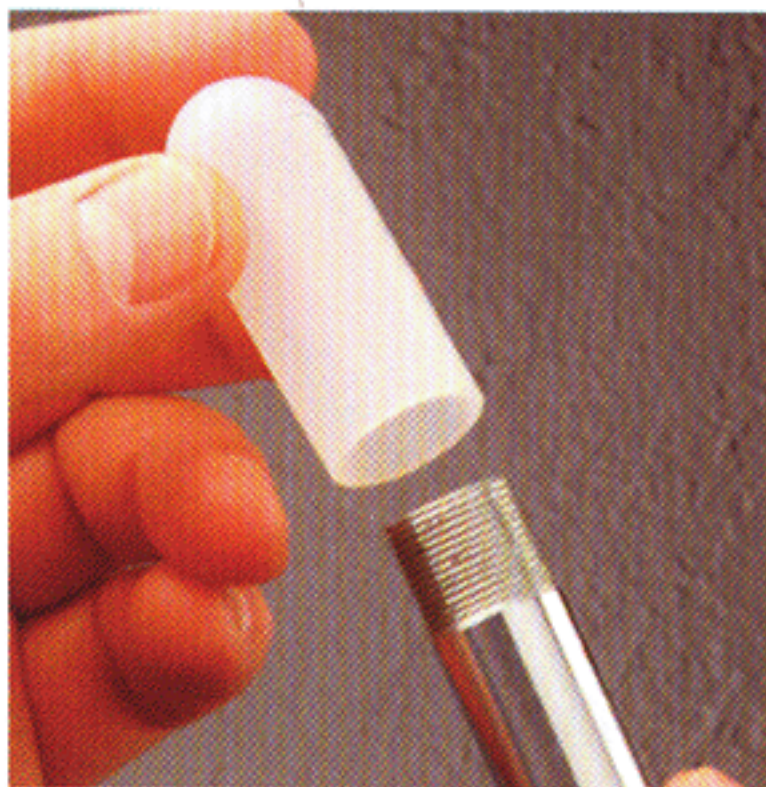


Venting hole available only on SFC-156-32 and SFC-234-32

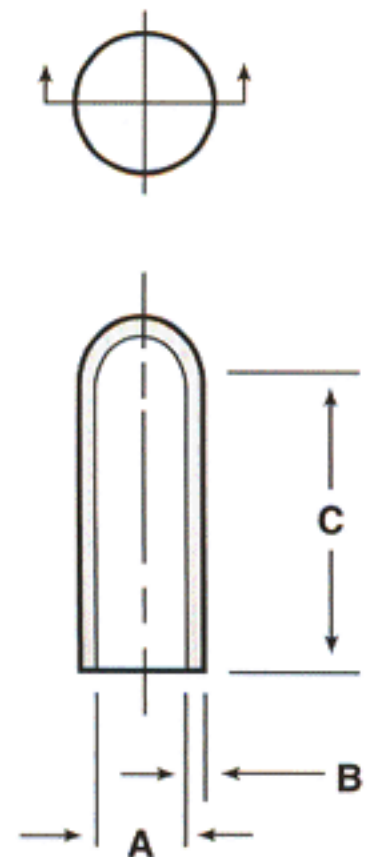
SRC Series Silicone Rubber Caps



Silicone Rubber Caplugs are ideal for protecting and masking parts undergoing painting, plating, powder coating, anodizing, abrasive chemical processing, or exposure to high temperatures up to 600°F (316°C). Molded from a specially formulated grade of silicone rubber, these Caplugs contain no coloring agents which could bleed under high temperatures. SRC Series Silicone Rubber Caps are suited especially for covering studs, tube ends, and other projections.



MATERIAL: Silicone Rubber
COLOR*: Natural





SFC Series

Dimensions					Packaging			Caplug No.
A		B		Standard Carton		Mini Pak Quantity		
in	mm	in	mm	Shipping Wt. (Approx.)				
				lbs	kgs	No. of Pieces		
.156	3.96	2.00	50.80	5	2.2	500	100	SFC-156-32
.187	4.74	1.75	44.45	4	1.8	500	100	SFC-187-28
.234	5.94	2.00	50.80	5	2.2	500	100	SFC-234-32
.294	7.46	1.31	33.27	4	1.8	500	100	SFC-294-21
.315	8.00	1.00	25.40	3	1.3	250	50	SFC-315-16
.380	9.65	1.00	25.40	2	0.9	100	20	SFC-380-16
.438	11.12	1.00	25.40	2	0.9	100	20	SFC-438-16
.608	15.44	1.50	38.10	2	0.9	100	20	SFC-608-24

SRC Series

Dimensions								Packaging			Caplug No.	
To Fit Stud Size		A		B		C		Standard Carton		Mini Pak Quantity		
in	mm	in	mm	in	mm	in	mm	Shipping Wt. (Approx.)				
								lbs	kgs	No. of Pieces		
-	-	.040	1.02	.05	1.27	.75	19.05	2	0.9	1000	200	SRC-040-12
-	-	.080	2.03	.06	1.52	.75	19.05	2	0.9	1000	200	SRC-080-12
4	101.60	.093	2.36	.05	1.27	.75	19.05	2	0.9	1000	150	SRC-093-12
5	127.00	.109	2.77	.05	1.27	.75	19.05	2	0.9	1000	150	SRC-109-12
6	152.41	.125	3.18	.06	1.52	1.00	25.40	2	0.9	1000	150	SRC-125-16
-	-	.140	3.56	.06	1.52	1.00	25.40	3	1.3	1000	200	SRC-140-16
-	-	.156	3.96	.06	1.52	1.00	25.40	2	0.9	1000	100	SRC-156-16
-	-	.172	4.37	.06	1.52	1.00	25.40	3	1.3	1000	100	SRC-172-16
12	304.81	.187	4.75	.06	1.52	1.00	25.40	3	1.3	1000	100	SRC-187-16
-	-	.218	5.54	.06	1.52	1.00	25.40	4	1.8	1000	100	SRC-218-16
1/4	6.35	.234	5.94	.06	1.52	1.00	25.40	4	1.8	1000	100	SRC-234-16
1/4	6.35	.250	6.35	.06	1.52	1.00	25.40	4	1.8	1000	100	SRC-250-16
-	-	.281	7.14	.06	1.52	1.00	25.40	4	1.8	1000	100	SRC-281-16
5/16	7.94	.312	7.93	.06	1.52	1.00	25.40	5	2.2	1000	80	SRC-312-16
3/8	9.53	.375	9.53	.06	1.52	1.00	25.40	5	2.2	1000	80	SRC-375-16
-	-	.406	10.31	.06	1.52	1.00	25.40	2	0.9	200	50	SRC-406-16
-	-	.500	12.70	.06	1.52	1.50	38.10	2	0.9	200	50	SRC-500-24
-	-	.562	14.27	.06	1.52	1.50	38.10	3	1.3	200	40	SRC-562-24
-	-	.625	15.88	.06	1.52	1.50	38.10	3	1.3	200	50	SRC-625-24
-	-	.687	17.45	.06	1.52	1.50	38.10	4	1.8	200	50	SRC-687-24
-	-	.750	19.05	.06	1.52	1.50	38.10	4	1.8	200	50	SRC-750-24
-	-	.812	20.62	.06	1.52	1.50	38.10	6	2.7	200	40	SRC-812-24
-	-	.875	22.22	.06	1.52	1.50	38.10	6	2.7	200	40	SRC-875-24
-	-	.937	23.79	.06	1.52	1.50	38.10	7	3.1	200	40	SRC-937-24
-	-	1.000	25.40	.06	1.52	1.50	38.10	7	3.1	200	40	SRC-1000-24
-	-	1.062	26.97	.06	1.52	1.50	38.10	5	2.2	100	20	SRC-1062-24
-	-	1.125	28.57	.06	1.52	1.50	38.10	6	2.7	100	20	SRC-1125-24
-	-	1.187	30.14	.06	1.52	1.50	38.10	6	2.7	100	20	SRC-1187-24
-	-	1.250	31.75	.06	1.52	1.50	38.10	7	3.1	100	20	SRC-1250-24
-	-	1.375	34.92	.06	1.52	1.50	38.10	7	3.1	100	20	SRC-1375-24
-	-	1.500	38.10	.06	1.52	1.75	44.45	8	3.6	100	20	SRC-1500-28
-	-	1.625	41.27	.06	1.52	2.00	50.80	7	3.1	100	20	SRC-1625-32
-	-	1.750	44.45	.06	1.52	2.00	50.80	8	3.6	100	20	SRC-1750-32
-	-	1.875	47.62	.06	1.52	2.00	50.80	8	3.6	100	20	SRC-1875-32
-	-	2.000	50.80	.06	1.52	2.00	50.80	9	4.1	100	20	SRC-2000-32