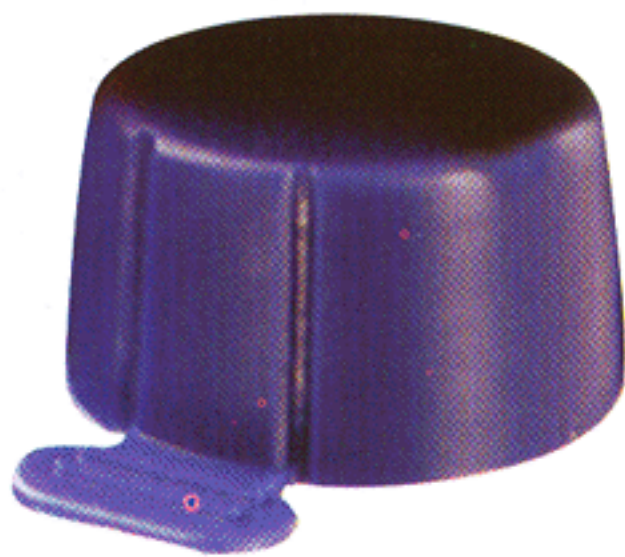




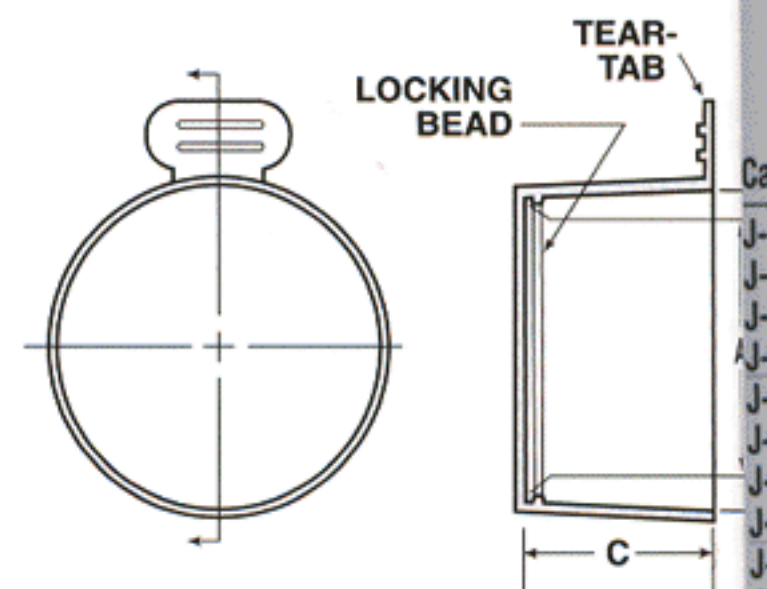
CAPS non-threaded

J Series Tear-Tab Caps for NPT Pipe Threads

Time-saving Series J Tear Caps slip easily over male NPT fittings and snap in place. Locking bead engages lead thread, holds cap on securely. Tear-Tab breaks seal for easy removal.

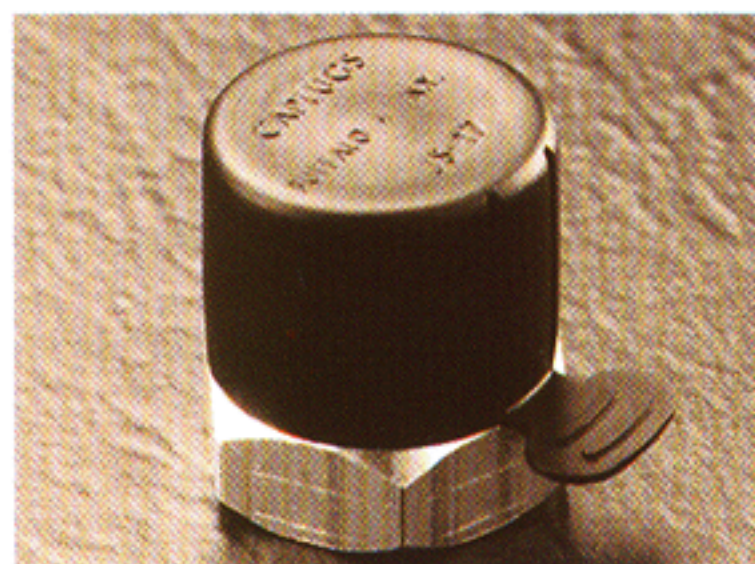


MATERIAL: Low Density Polyethylene
COLOR*: Blue

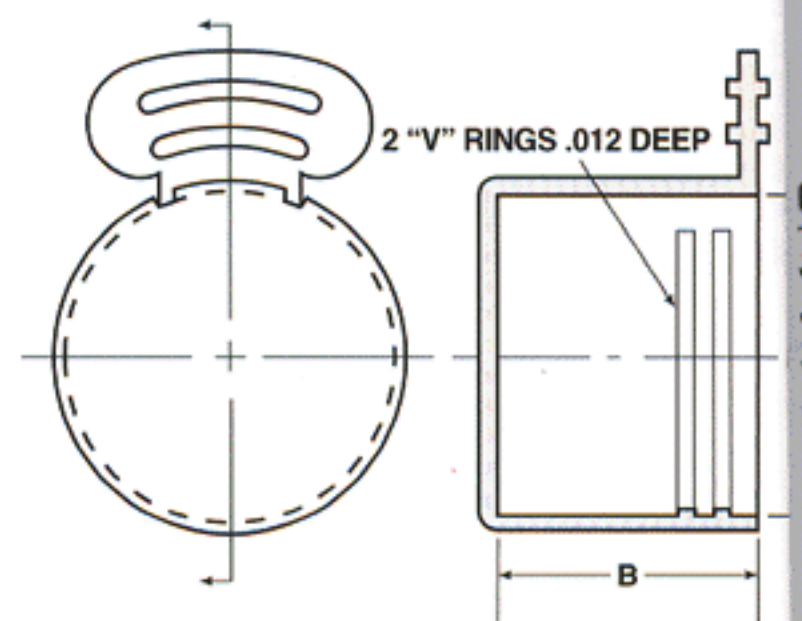


JS Series Tear-Tab Caps for Straight Threads

Series JS Tear Caps for straight threads feature an extra-wide tab with gripping ribs on both top and bottom, making it easy to grab and tear off. Standard color for the JS is black.

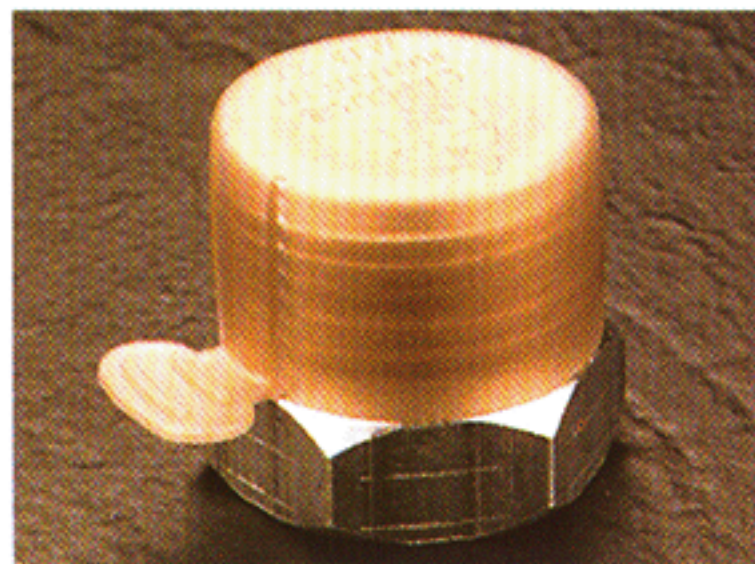


MATERIAL: Low Density Polyethylene
COLOR*: Black

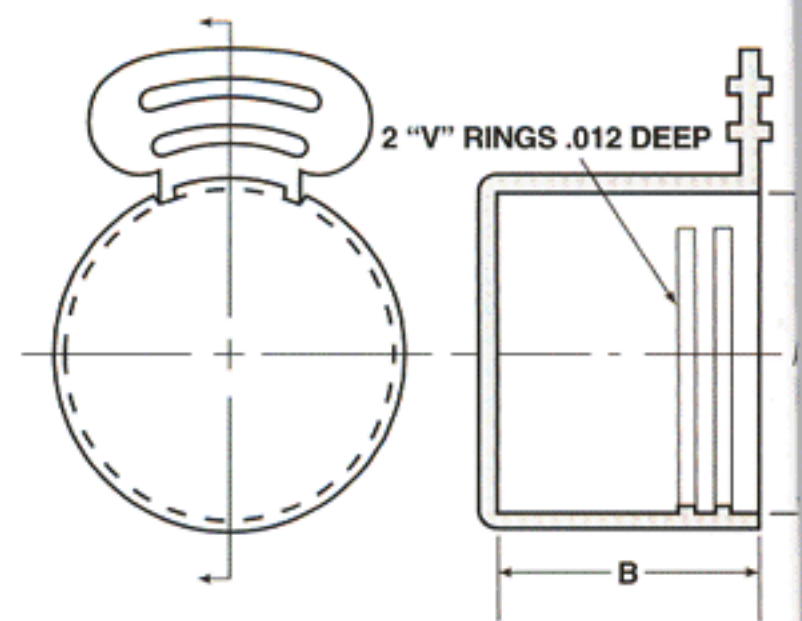


MJS Series Tear-Tab Caps for Metric Threads

Series MJS Tear Caps for straight threads feature an extra-wide tab with gripping ribs on both top and bottom, making it easy to grab and tear off. The Series MJS fits metric threads. Standard color for the MJS is translucent gold, making it possible to view an O-ring on the fitting.



MATERIAL: Low Density Polyethylene
COLOR*: Gold

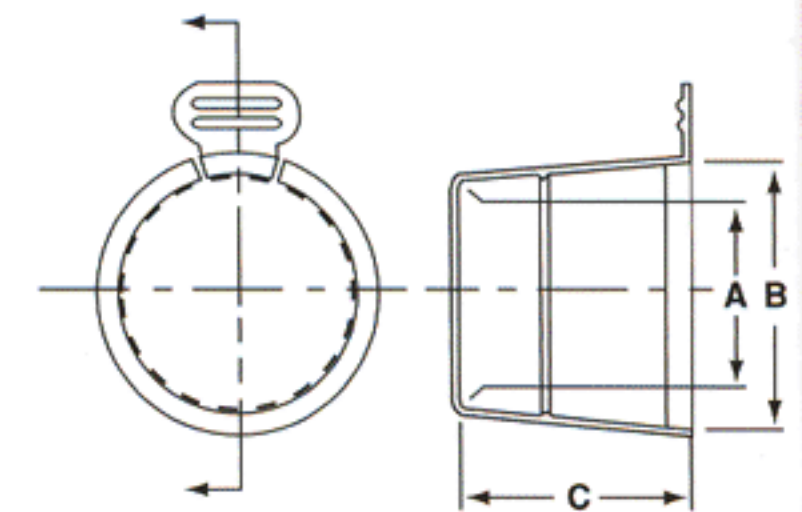


MJ Series Tear-Tab Caps for Tapered Metric Threads

Series MJ Tear-Tab Caps slip easily over metric threads and snap in place. Locking bead engages lead thread and holds cap on securely. Tear-tab breaks for easy removal.



MATERIAL: Low Density Polyethylene
COLOR: Red



EXPANDED

NEW



J Series

Dimensions							Packaging				Caplug No.
To Fit Thread Size	A		B		C		Standard Carton		Mini Pak Quantity		
	in	mm	in	mm	in	mm	Shipping Wt. (Approx.)			No. of Pieces	
							lbs	kgs			
1/8" NPT	.385	9.78	.405	10.29	.32	8.13	4	1.8	5000	1000	J-1/8
1/4" NPT	.512	13.00	.540	13.72	.49	12.45	7	3.1	5000	1000	J-1/4
3/8" NPT	.643	16.33	.675	17.15	.49	12.45	10	4.5	5000	1000	J-3/8
1/2" NPT	.800	20.32	.840	21.34	.64	16.26	14	6.3	5000	1000	J-1/2
3/4" NPT	1.005	25.53	1.050	26.67	.65	16.51	15	6.8	2500	500	J-3/4
1" NPT	1.261	32.03	1.315	33.40	.81	20.57	16	7.2	2500	500	J-1
1 1/4" NPT	1.604	40.74	1.660	42.16	.84	21.34	18	8.1	2000	400	J-1-1/4
1 1/2" NPT	1.841	46.76	1.900	48.26	.85	21.59	13	5.8	1000	200	J-1-1/2
2" NPT	2.313	58.75	2.375	60.33	.89	22.61	10	4.5	500	100	J-2
2 1/2" NPT	2.792	70.92	2.875	73.03	1.33	33.78	14	6.3	500	100	J-2-1/2
3" NPT	3.411	86.64	3.500	88.90	1.39	35.31	12	5.4	250	50	J-3

JS Series

Dimensions							Packaging				Caplug No.
To Fit Tube Size	To Fit Thread Size		A		B		Standard Carton		Mini Pak Quantity		
	in	mm	in	mm	in	mm	Shipping Wt. (Approx.)			No. of Pieces	
							lbs	kgs			
3/16	3/8-24	-	∅	∅	.44	11.18	7	3.2	5000	1000	JS-6
1/4	7/16-20	-	.428	10.87	.44	11.18	8	3.6	5000	1000	JS-7
5/16	1/2-20	-	∅	∅	.46	11.68	9	4.1	5000	1000	JS-8
3/8	9/16-18	-	∅	∅	.48	12.19	10	4.5	5000	1000	JS-9
3/8	5/8-18	-	.615	15.62	.48	12.19	11	4.9	5000	1000	JS-10
1/2	3/4-16	-	.740	18.80	.56	14.22	14	6.3	5000	1000	JS-12
5/8	7/8-14	-	.865	21.97	.70	17.78	19	8.6	5000	1000	JS-14
3/4	1 1/16-12	-	1.053	26.75	.83	21.08	14	6.3	2500	500	JS-17
1	1 5/16-12	-	∅	∅	.75	19.05	16	7.3	2500	500	JS-21

MJS Series

Dimensions							Packaging				Caplug No.
To Fit Tube Size	To Fit Thread Size		A		B		Standard Carton		Mini Pak Quantity		
	in	mm	in	mm	in	mm	Shipping Wt. (Approx.)			No. of Pieces	
							lbs	kgs			
3/8	-	M-18	.713	18.11	.56	14.2	13	5.8	5000	1000	MJS-18
1/2	-	M-20	.791	20.09	.56	14.2	15	6.8	5000	1000	MJS-20
5/8	-	M-22	.870	22.09	.48	12.2	15	6.8	5000	1000	MJS-22
3/4	-	M-27	1.067	27.10	.67	17.2	13	5.8	2500	500	MJS-27

MJ Series

Dimensions						Packaging				Caplug No.	
	A		B		C		Standard Carton		Mini Pak Quantity		
	in	mm	in	mm	in	mm	Shipping Wt. (Approx.)			No. of Pieces	
							lbs	kgs			
1.106		28.09	1.296	32.92	1.14	28.96	14	6.4	2500	500	MJ-3/4
1.289		32.74	1.500	38.10	1.20	30.48	12	5.4	1500	300	MJ-1