



# CAPS non-threaded

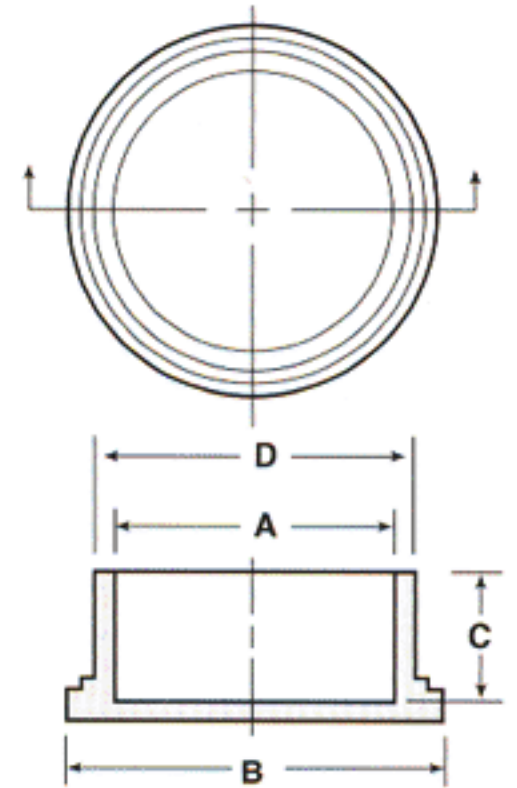
## EC Series Caps for Threaded Connectors



Made to protect threaded connectors, Series EC Caps are designed for easy application and removal in areas not readily accessible. They can be installed over threads or cylindrical surfaces.



**MATERIAL:** Low Density Polyethylene  
**COLOR\*:** Red



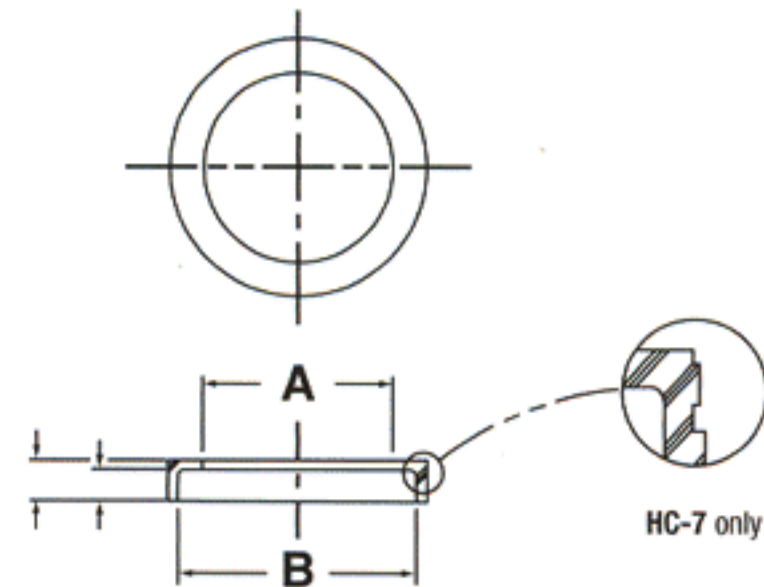
## HC Series Plastic Hose Caps



Series HC Plastic Hose Caps are used to cover rigid tube and hose ends, as well as to prevent slippage over the fitting. The primary application for these caps is hose assembly manufacturing.



**MATERIAL:** Low Density Polyethylene  
**COLOR\*:** Yellow



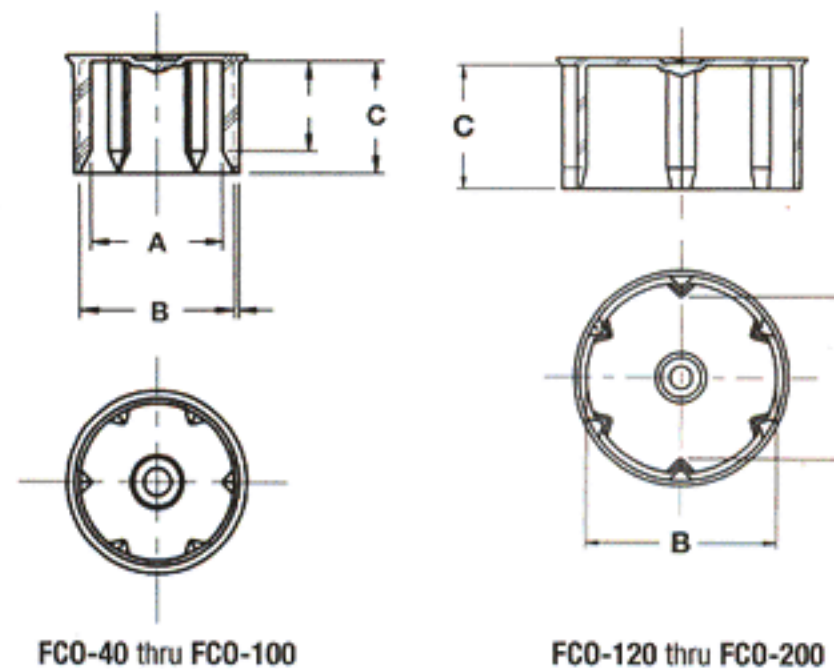
## FCO Series Flat Faced O-Ring Caps



Series FCO Flat Faced O-Ring Caps are designed to cap the outside of hexnuts. Featuring a chamfered flange for easy hand removal, these caps fit snugly to minimize the chance of falling off during transit. Available in two styles, Series FCO is ideal for fluid power valves and hose and pipe fittings.



**MATERIAL:** Low Density Polyethylene  
**COLOR\*:** Red





# non-threaded CAPS



## EC Series

Specs.: MS-90376-R, NAS-813, NAS-831, MS-25178

To Fit Thread Size	Dimensions								Packaging				Caplug No.
	A		B		C		D		Standard Carton		Mini Pak Quantity		
	in	mm	in	mm	in	mm	in	mm	Shipping Wt. (Approx.) lbs	kgs		No. of Pieces	
1/4	.246	6.25	.48	12.19	.50	12.70	.31	7.87	6	2.7	5000	1000	EC-4
M8	.309	7.85	.55	13.97	.56	14.22	.37	9.40	8	3.6	5000	1000	EC-M8
5/16	.308	7.82	.55	13.97	.56	14.22	.37	9.40	8	3.6	5000	1000	EC-5
3/8	.369	9.37	.62	15.75	.50	12.70	.43	10.92	7	3.1	5000	1000	EC-6
1/2	.480	12.19	.74	18.80	.50	12.70	.54	13.72	10	4.5	5000	1000	EC-8
9/16	.551	14.00	.78	19.81	.44	11.18	.61	15.49	10	4.5	5000	1000	EC-9
5/8	.605	15.37	.84	21.34	.50	12.70	.66	16.89	12	5.4	5000	1000	EC-10
3/4	.720	18.29	.97	24.64	.50	12.70	.77	19.68	14	6.3	5000	1000	EC-12
7/8	.850	20.83	1.13	28.70	.50	12.70	.90	22.99	18	8.1	5000	1000	EC-14
1	.973	24.71	1.22	30.99	.50	12.70	1.03	26.29	10	4.5	2500	500	EC-16
1 1/8	1.093	27.76	1.33	33.78	.56	14.22	1.15	29.35	13	5.8	2500	500	EC-18
1 3/16	1.188	30.18	1.40	35.56	.56	14.22	1.23	31.24	14	6.3	2500	500	EC-19
1 1/4	1.231	31.27	1.46	37.09	.56	14.22	1.30	33.05	17	7.6	2500	500	EC-20
1 3/8	1.340	34.04	1.59	40.39	.56	14.22	1.41	35.81	17	7.6	2500	500	EC-22
1 7/16	1.428	36.27	1.65	41.91	.56	14.22	1.46	37.08	8	3.6	1000	200	EC-23
1 1/2	1.463	37.16	1.70	43.18	.56	14.22	1.53	38.94	17	7.6	2500	500	EC-24
1 9/16	1.549	39.34	1.73	43.94	.50	12.70	1.59	40.39	17	7.6	2500	500	EC-25
1 5/8	1.613	40.97	1.91	48.51	.56	14.22	1.71	43.43	15	6.8	1000	200	EC-26
1 3/4	1.715	43.56	1.95	49.53	.56	14.22	1.79	45.47	13	5.8	1000	200	EC-28
2	1.965	49.91	2.22	56.39	.56	14.22	2.04	51.82	13	5.8	1000	200	EC-32
2 1/4	2.215	56.26	2.43	61.72	.60	15.24	2.29	58.17	15	6.8	1000	200	EC-36
2 1/2	2.456	62.38	2.68	68.07	.62	15.75	2.52	64.01	17	7.6	1000	200	EC-40
2 3/4	2.720	69.09	2.96	68.32	.60	15.24	2.81	71.42	11	4.9	500	100	EC-44
3	2.960	75.18	3.23	82.05	.60	15.24	3.05	77.47	13	5.8	500	100	EC-48
4	3.940	100.08	4.16	105.67	1.00	25.40	4.00	101.60	10	4.5	200	40	EC-64
5	4.944	125.58	5.12	130.05	1.25	31.75	5.00	127.00	11	4.9	150	30	EC-80

## HC Series

	Dimensions								Packaging				Caplug No.
	A		B		Shipping Wt. (Approx.)		Standard Carton		Mini Pak Quantity				
	in	mm	in	mm	lbs	kgs	No. of Pieces						
	.320	8.13	.629	15.98	10	4.5	10000	1000	HC-4				
	.445	11.30	.771	19.58	12	5.4	10000	1000	HC-6				
	.660	16.76	.825	20.96	4	1.8	5000	1000	HC-7				
	.575	14.61	.880	22.35	7	3.2	5000	1000	HC-8				
	.700	17.78	1.056	26.82	8	3.6	5000	1000	HC-10				
	.830	21.08	1.183	30.05	10	4.5	5000	1000	HC-12				

## FCO Series

To Fit Thread Size	To Fit Hex Size	Dimensions						Packaging				Caplug No.
		A		B		C		Standard Carton		Mini Pak Quantity		
		in	mm	in	mm	in	mm	Shipping Wt. (Approx.) lbs	kgs		No. of Pieces	
9/16-18	11/16	.671	17.04	.786	19.96	.590	14.99	18	8.2	6000	1000	FCO-40
11/16-16	13/16	.792	20.12	.928	23.57	.680	17.27	17	7.7	4000	800	FCO-60
13/16-16	15/16	.916	23.27	1.074	27.28	.840	21.34	10	4.5	2500	500	FCO-80
1-14	1 1/8	1.098	27.89	1.287	32.69	.940	23.88	8	3.6	1500	300	FCO-100
1 3/16-12	1 3/8	1.355	34.42	1.576	40.03	1.030	26.16	8	3.6	1000	200	FCO-120
1 7/16-12	1 5/8	1.586	40.28	1.859	47.22	1.110	28.19	20	9.1	900	180	FCO-160
1 11/16-12	1 7/8	1.832	46.53	2.148	54.56	1.110	28.19	10	4.5	700	140	FCO-200