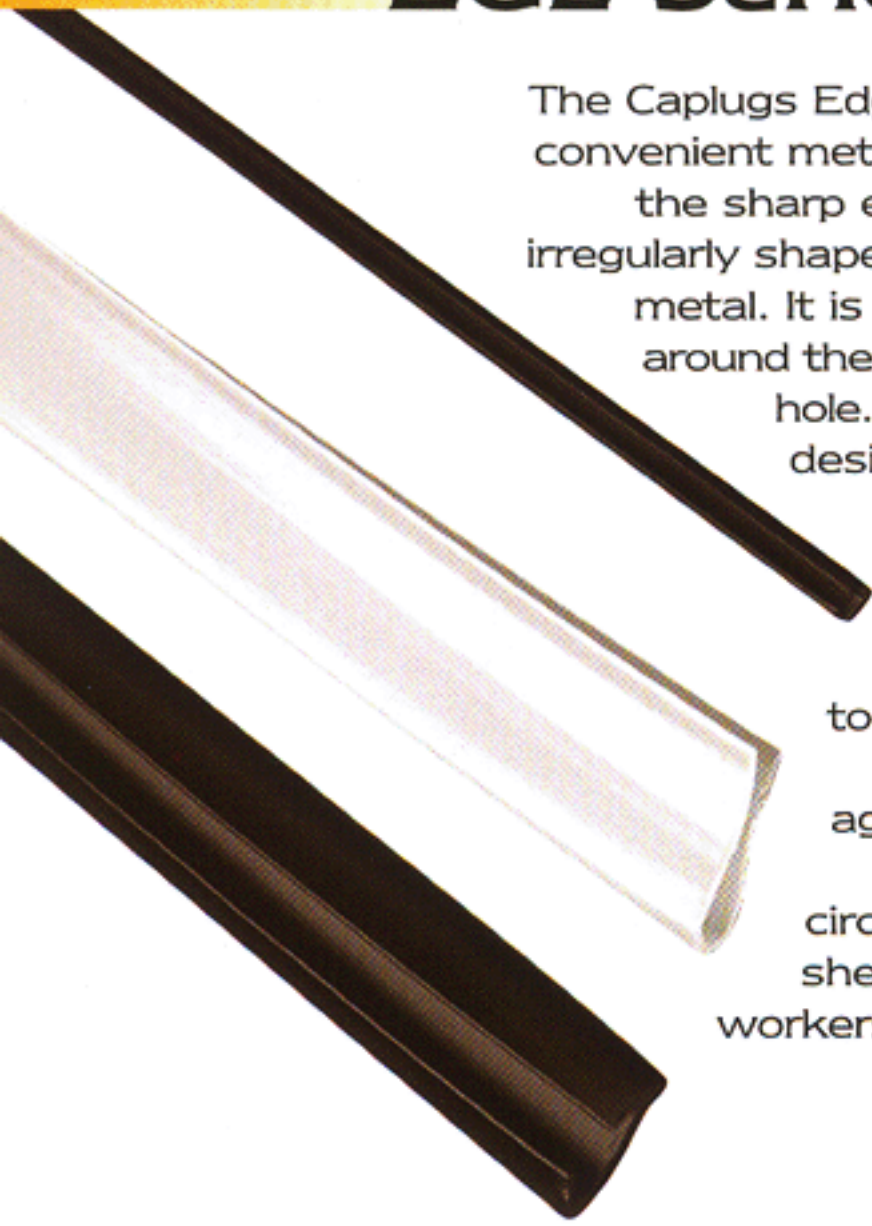




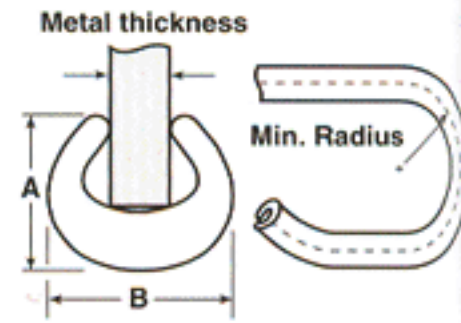
EDGE LINERS & GROMMETS

EGL Series Edge Liners for Sheet Metal and Pipe Ends

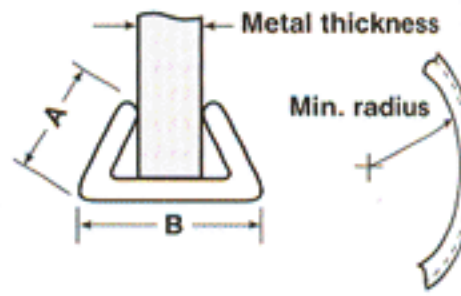
The Caplugs Edge Liner offers a convenient method for covering the sharp edges of large or irregularly shaped holes in sheet metal. It is pressed in place around the perimeter of the hole. Series EGL-22 is designed specifically to provide spacers when stacking sheet metal or board to protect the face of the sheet against scratches, allow for air circulation between sheets, and protect workers' hands against sharp edges.



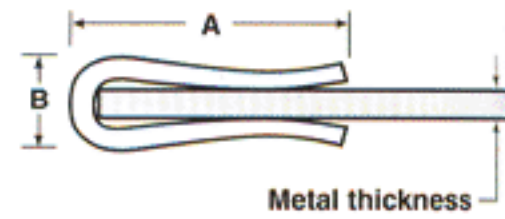
EGL-11-2
EGL-11-3
MATERIAL: High Density Polyethylene
COLOR*: Black



EGL-12-1/4
EGL-12-1/2
EGL-12-3/4
MATERIAL: Vinyl
COLOR*: Black

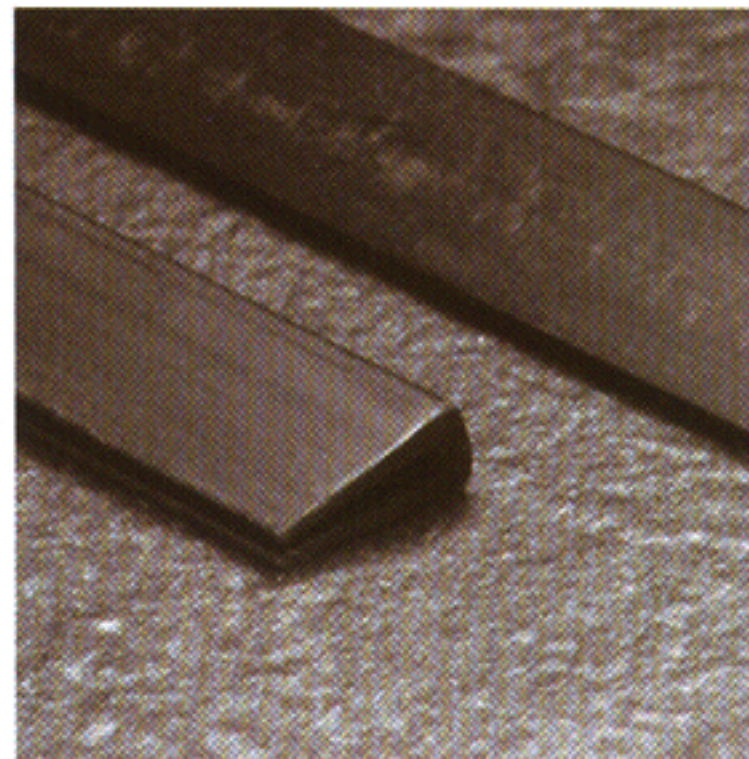
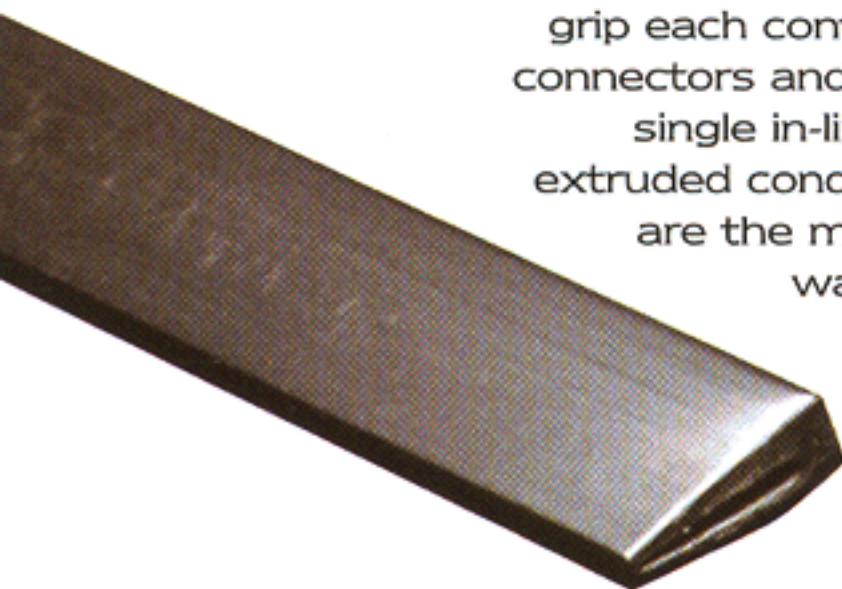


EGL-22-4
EGL-22-6
MATERIAL: Low Density Polyethylene
COLOR*: Natural

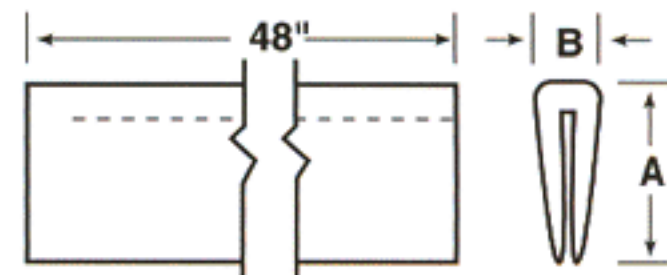


CEG Series Conductive Edge Liners

Series CEG Edge Liners securely grip each contact of edgeboard connectors and are also used for single in-line devices. These extruded conductive edge liners are the most cost-effective way to provide both ESD and physical protection for circuit boards and sub-assemblies.



MATERIAL: Conductive Polyethylene
COLOR: Black



EDGE LINERS & GROMMETS



EGL Series

Dimensions								Packaging				Caplug No.	
Metal Thickness		A		B		Minimum Bend Radius		Standard Carton		Mini Pak Quantity			
in	mm	in	mm	in	mm	in	mm	Shipping Wt. (Approx.)	Length				
								lbs	kgs	ft	m		
.05-.081	1.27 - 2.03	.15	3.81	.17	4.32	.75	19.05	3	1.3	500	152	N/A	EGL-11-2
.07-.121	1.78 - 3.05	.16	4.06	.22	5.59	1.00	25.40	6	2.7	500	152	N/A	EGL-11-3
.13-.283	3.30 - 7.11	.27	6.86	.42	10.67	2.00	50.80	7	3.1	150	46	N/A	EGL-12-1/4
.25-.506	6.35-12.70	.40	10.16	.68	17.27	2.50	63.50	8	3.6	125	38	N/A	EGL-12-1/2
.38-.759	9.65-19.05	.46	11.68	.93	23.62	3.00	76.20	8	3.6	100	31	N/A	EGL-12-3/4
.01-.120	.25 - 3.05	.65	16.51	.26	6.60	-	-	15	6.8	500	152	N/A	EGL-22-4
.11-.182	2.79 - 4.57	1.00	25.40	.34	8.64	-	-	14	6.3	250	76	N/A	EGL-22-6

CEG Series

Dimensions						Packaging			Caplug No.	
Metal Thickness		A		B		Standard Carton**		Mini Pak Quantity		
in	mm	in	mm	in	mm	Shipping Wt. (Approx.)	No. of Pieces			
						lbs	kgs			
0.03	0.76	0.48	12.19	0.17	4.32	14	6.3	100	20	CEG-23-1
0.06	1.52	0.48	12.19	0.20	5.08	14	6.3	100	20	CEG-23-2
0.06	1.52	0.28	7.11	0.19	4.82	12	5.4	150	30	CEG-23-2N

Conductive Edge Liners are packaged in static dissipative poly bags.

and CEG Series also stocked in popular cut lengths, custom-cut lengths for your particular requirements.



EDGE LINERS & GROMMETS

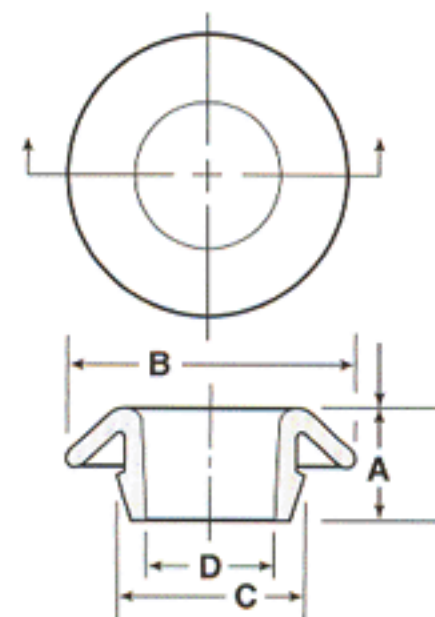
GRO Series Grommets for Holes in Sheet Metal



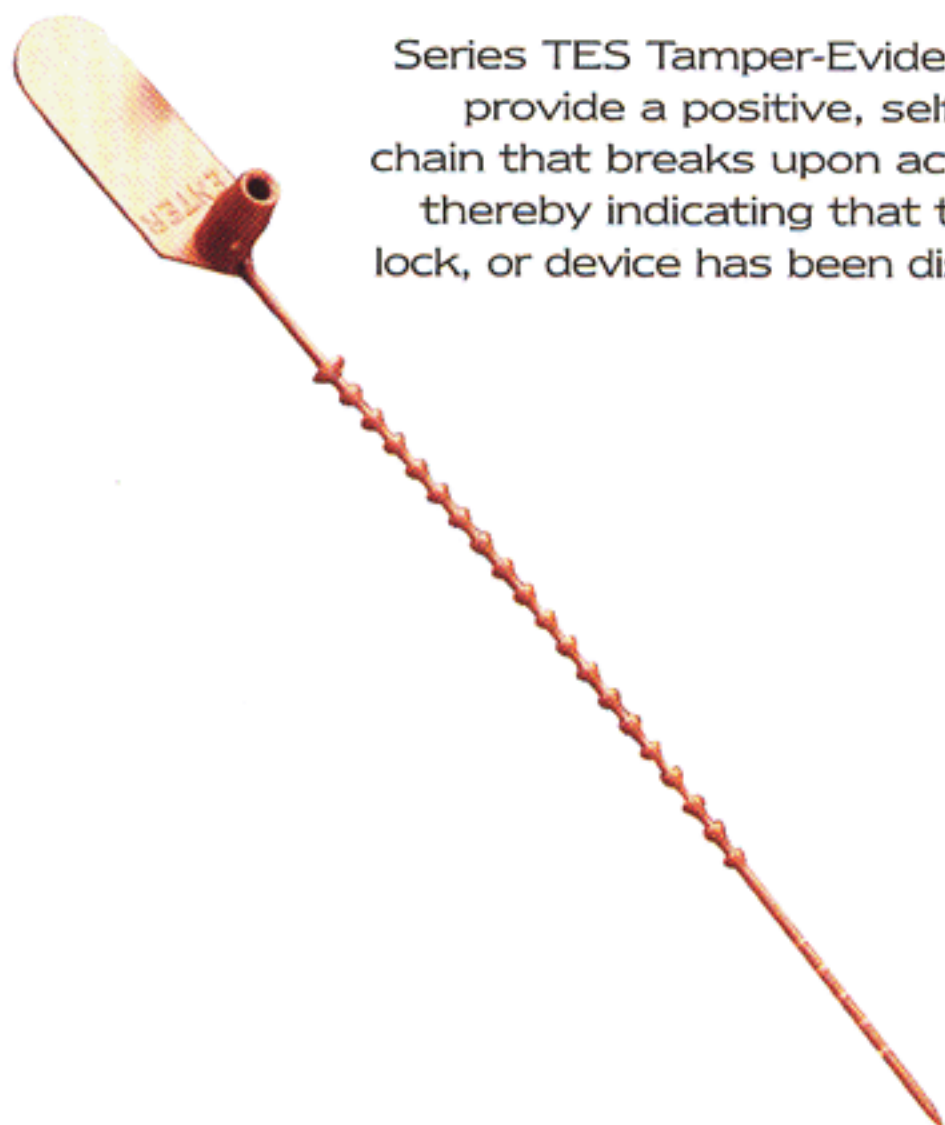
Mechanical protection for hoses, tubing, shafts, rods, and cables as they pass through holes in sheet metal is provided by Series GRO grommets. Easily snapped in place, they are held securely by a molded bead until deliberately removed. U.L. approved for applications up to 221°F (105°C).



MATERIAL*: Flex Temp
COLOR*: Black



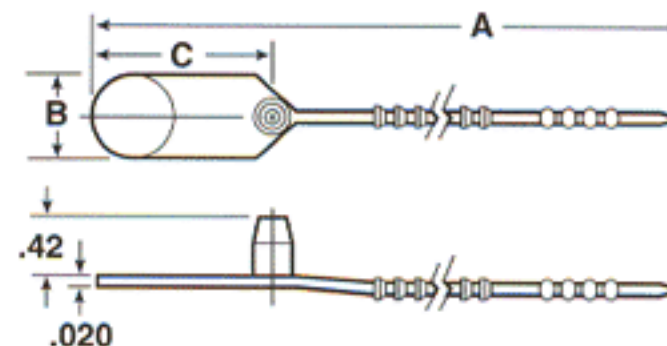
TES Series Tamper-Evident Seal



Series TES Tamper-Evident Seals provide a positive, self-locking chain that breaks upon activating, thereby indicating that the seal, lock, or device has been disturbed.



MATERIAL*: Polypropylene
COLOR*: Black, Blue, Brown, Green, Orange, Pink, Purple, Red, White, Yellow





GRO Series

Dimensions												Packaging				Caplug No.
Hole Size		Metal Thickness		A		B		C		D		Standard Carton		Mini Pak Quantity		
in	mm	in	mm	in	mm	in	mm	in	mm	in	mm	Shipping Wt. (Approx.) lbs	kgs		No. of Pieces	
0.500	12.70	.03-.08	.76-2.03	0.28	7.11	0.81	20.57	0.54	13.72	0.41	10.41	6	2.7	5000	1000	GRO-1/2-UL
0.625	15.88	.03-.08	.76-2.03	0.31	7.87	0.93	23.62	0.66	16.76	0.52	13.21	8	3.6	5000	1000	GRO-5/8-UL
0.750	19.05	.03-.08	.76-2.03	0.35	8.89	1.06	26.93	0.79	20.07	0.65	16.51	10	4.5	5000	1000	GRO-3/4-UL
0.875	22.23	.03-.08	.76-2.03	0.35	8.89	1.19	30.22	0.91	23.11	0.77	19.55	15	6.8	5000	1000	GRO-7/8-UL
1.000	25.40	.03-.08	.76-2.03	0.35	8.89	1.32	33.53	1.04	26.42	0.89	22.61	12	5.4	5000	1000	GRO-1-UL
1.250	31.75	.03-.08	.76-2.03	0.35	8.89	1.60	40.64	1.29	32.77	1.12	28.45	11	4.9	2500	500	GRO-1-1/4-UL

TES Series

Dimensions						Packaging				Caplug No.
A		B		C		Standard Carton		Mini Pak Quantity		
in	mm	in	mm	in	mm	Shipping Wt. (Approx.) lbs	kgs		No. of Pieces	
5.38	136.66	0.50	12.70	1.13	28.70	10	4.5	5000	N/A	TES-1