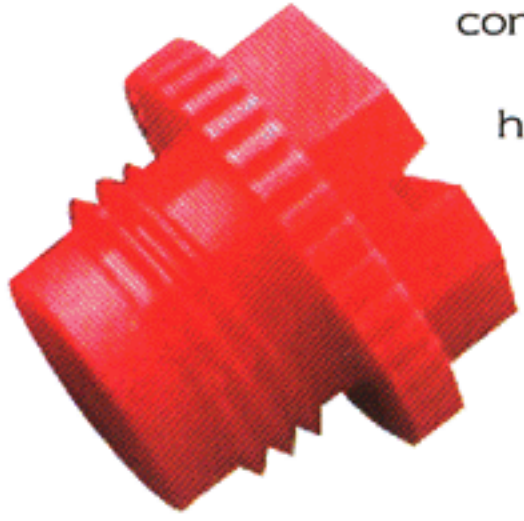




# PLUGS threaded

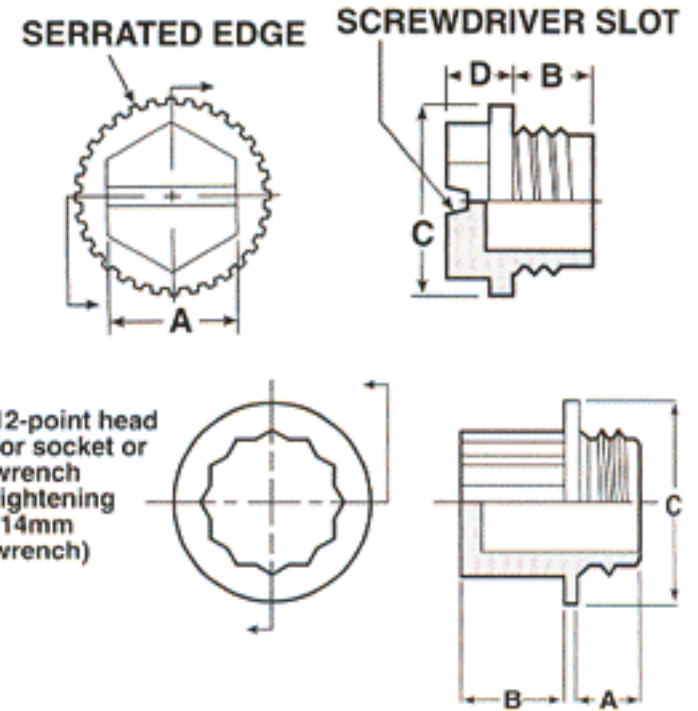
## RP Series Threaded Plugs



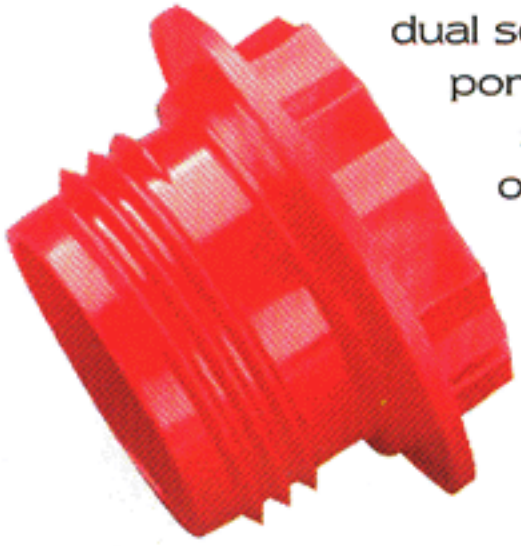
Originated for automotive and air conditioning tube fittings, Series RP is a general-purpose, high-strength, machine thread plug adaptable to a multitude of applications. Serrated for finger tightening, they also have a slotted hex head for screwdriver, nutdriver or wrench installation where desired.



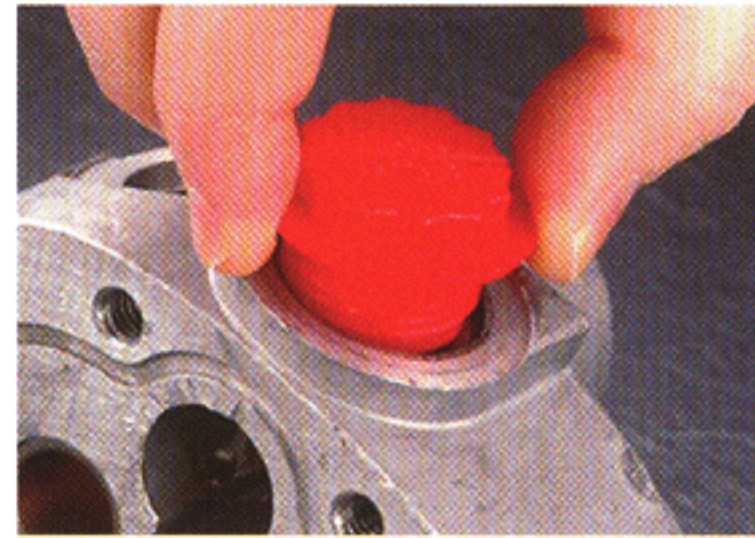
**MATERIAL:** Polypropylene  
**COLOR:** RP\*, Red  
RP-M\*, White



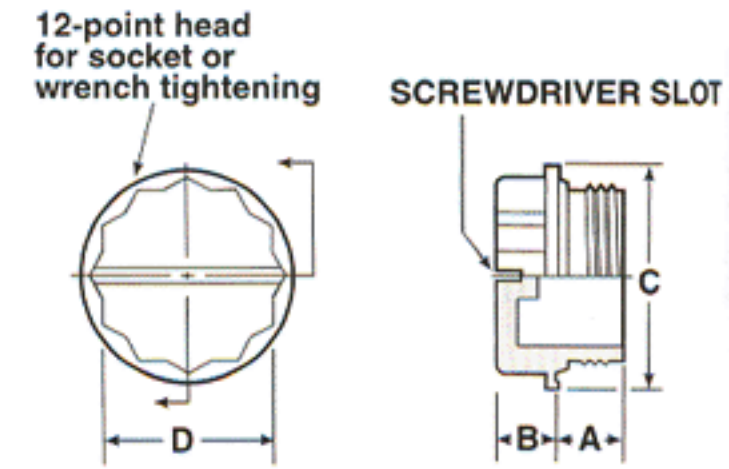
## RPO Series Threaded Plugs



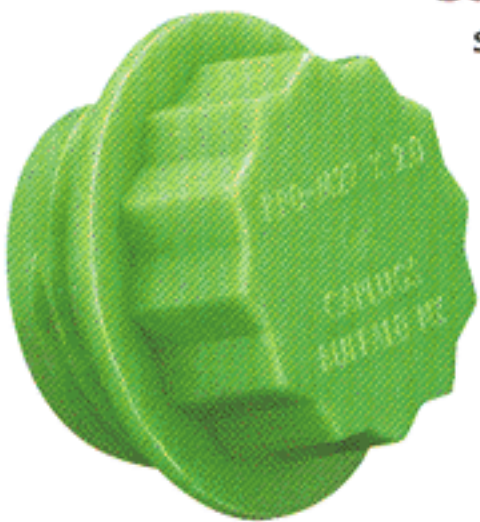
Series RPO Plugs provide a positive dual seal on SAE straight threaded ports. Integral O-ring-type bead seats into bevel of threaded opening to prevent oil or fluid leakage. A lip on the flange compresses against the surface to keep contaminants from the spot face. Slotted, 12-point head for screwdriver, socket or wrench tightening.



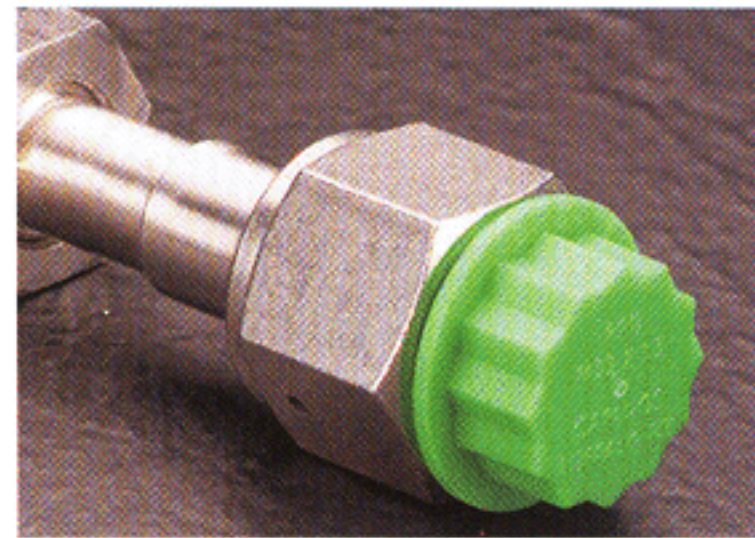
**MATERIAL:** High Density Polyethylene  
**COLOR:** Red



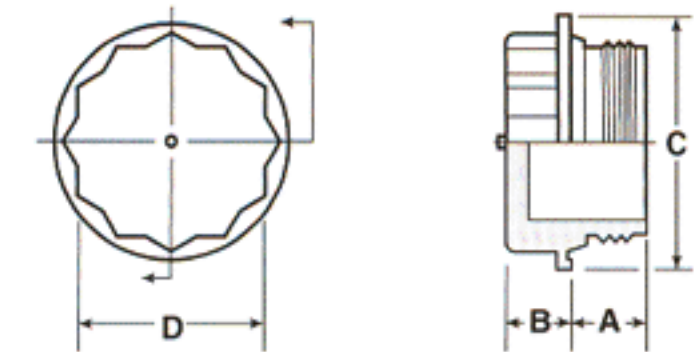
## RPO-M Series Threaded Plugs



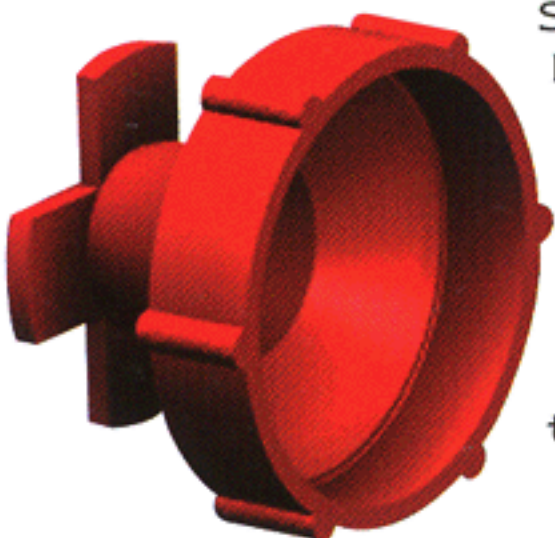
Series RPO-M Plugs provide dual seals on ISO fluid power system metric ports. An integral O-ring-type bead seats snugly into the bevel of the threaded opening to prevent oil or fluid leakage. A 12-point head makes it possible to tighten with socket or wrench.



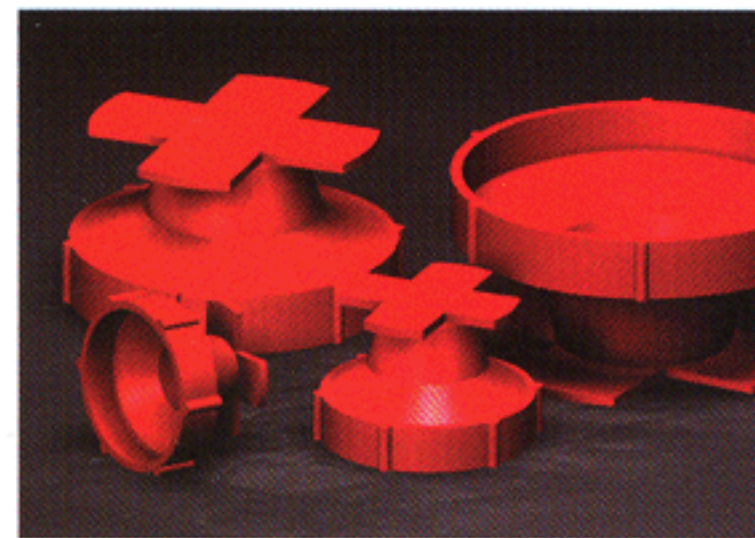
**MATERIAL:** Polypropylene  
**COLOR:** Green



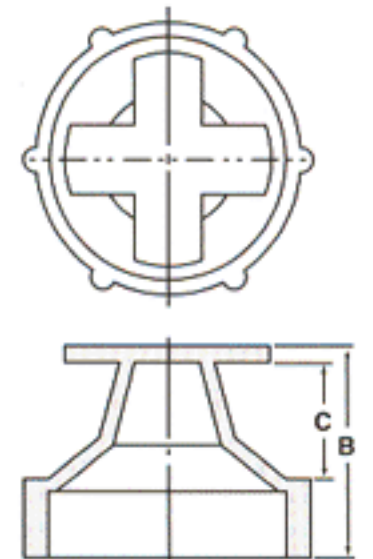
## UTP Series Universal Thread Plugs



Series UTP Universal Thread Plugs offer unique flexibility. Each plug is designed to fit many different thread sizes. Series UTP is excellent for easy installation by just pushing the plug into a female threaded port. A small turn is all that's required to lock the plug in place.



**MATERIAL:** Low Density Polyethylene  
**COLOR:** Red





# threaded PLUGS



Specs.: MIL-C-52078, MIL-C-5501/10, NAS-838

## RP Series

To Fit Thread Size	Dimensions								Packaging				Caplug No.
	A		B		C		D		Standard Carton		Mini Pak Quantity		
	in	mm	in	mm	in	mm	in	mm	Shipping Wt. (Approx.) lbs	kgs		No. of Pieces	
7/16-14	0.43	10.92	0.30	7.62	0.62	15.75	0.28	7.11	11	4.9	5000	1000	RP-7-14
7/16-20	0.43	10.92	0.30	7.62	0.62	15.75	0.28	7.11	11	4.9	5000	1000	RP-7-20
1/2-13	0.495	12.57	0.32	8.13	0.69	17.53	0.26	6.60	15	6.8	5000	1000	RP-8-13
1/2-20	0.50	12.70	0.32	8.13	0.69	17.53	0.25	6.35	15	6.8	5000	1000	RP-8-20
5/8-18	0.56	14.22	0.35	8.89	0.81	20.57	0.27	6.86	19	8.6	5000	1000	RP-10
3/4-16	0.68	17.27	0.44	11.18	0.94	23.88	0.27	6.86	14	6.3	2500	500	RP-12
7/8-14	0.75	19.05	0.50	12.70	1.06	26.93	0.32	8.13	18	8.1	2500	500	RP-14
16mmx1.5mm	0.28	7.11	0.52	13.21	0.89	22.61	-	-	16	7.2	4000	800	RP-M16x1.5

## RPO Series

To Fit Thread Size	Dimensions						12-Point Socket Size D	Packaging				Caplug No.
	A		B		C			Standard Carton		Mini Pak Quantity		
	in	mm	in	mm	in	mm		Shipping Wt. (Approx.) lbs	kgs		No. of Pieces	
7/16-20	0.34	8.64	0.26	6.60	0.66	16.76	3/8	19	8.6	8000	1000	RPO-104
1/2-20	0.34	8.64	0.30	7.62	0.73	18.54	7/16	17	7.6	6000	1000	RPO-105
9/16-18	0.36	9.14	0.30	7.62	0.80	20.32	1/2	18	8.1	6000	1000	RPO-106
3/4-16	0.41	10.41	0.31	7.87	1.02	25.91	11/16	16	7.2	3000	600	RPO-108
7/8-14	0.47	11.94	0.31	7.87	1.16	29.47	13/16	17	7.6	2000	400	RPO-110
1 1/16-12	0.61	15.49	0.31	7.87	1.45	36.83	1	14	6.3	1000	200	RPO-112
1 5/16-12	0.61	15.49	0.33	8.38	1.74	44.20	1 1/4	18	8.1	1000	200	RPO-116
1 5/8-12	0.61	15.49	0.33	8.38	2.17	55.12	1 9/16	19	8.6	700	140	RPO-120

## RPO-M Series

To Fit Thread Size	Dimensions						12-Point Socket Size D	Packaging				Caplug No.
	A		B		C			Standard Carton		Mini Pak Quantity		
	in	mm	in	mm	in	mm		Shipping Wt. (Approx.) lbs	kgs		No. of Pieces	
12x1.5	0.41	10.41	0.34	8.64	0.73	18.54	10	15	6.8	5000	1000	RPO-M12x1.5
14x1.5	0.41	10.41	0.38	9.65	0.81	20.57	12	16	7.2	5000	1000	RPO-M14x1.5
18x1.5	0.41	10.41	0.44	11.18	0.97	24.64	16	18	8.1	3000	600	RPO-M18x1.5
22x1.5	0.41	10.41	0.44	11.18	1.12	28.45	20	17	7.6	2000	400	RPO-M22x1.5
27x2	0.41	10.41	0.44	11.18	1.36	34.54	24	19	8.6	2000	400	RPO-M27x2

## UTP Series

To Fit Thread Size	Dimensions				Packaging				Caplug No.
	B		C		Standard Carton		Mini Pak Quantity		
	in	mm	in	mm	Shipping Wt. (Approx.) lbs	kgs		No. of Pieces	
1/8" NPT, 7/16" UNF, 1/8" BSP, M10	∅	∅	∅	∅	5	2.2	5000	1000	UTP-40
1/2" UNF, 1/4" BSP, M11-12	∅	∅	∅	∅	9	4.1	5000	1000	UTP-50
1/4" NPT, 9/16" UNF, M14	∅	∅	∅	∅	12	5.4	5000	1000	UTP-60
3/4" UNF, 3/8" BSP, M16-20	∅	∅	∅	∅	17	7.7	5000	1000	UTP-80
1" UNF, 1/2"-5/8" BSP, M20-24	∅	∅	∅	∅	17	7.7	3000	600	UTP-100

factory