



PLUGS threaded

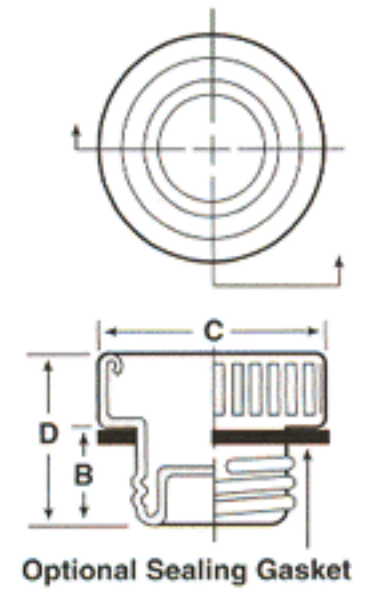
ADP Series Threaded Aluminum Plugs For Flareless Tube And Hose Assemblies



Series ADP Plugs have a dimpled nose section that forms a low-pressure seal with flareless tube ends. The addition of a neoprene shoulder gasket enables the ADP-GN to provide a positive seal on the spot-face of the O-ring port. Gaskets are also optionally available in Butyl or Buna N rubber.



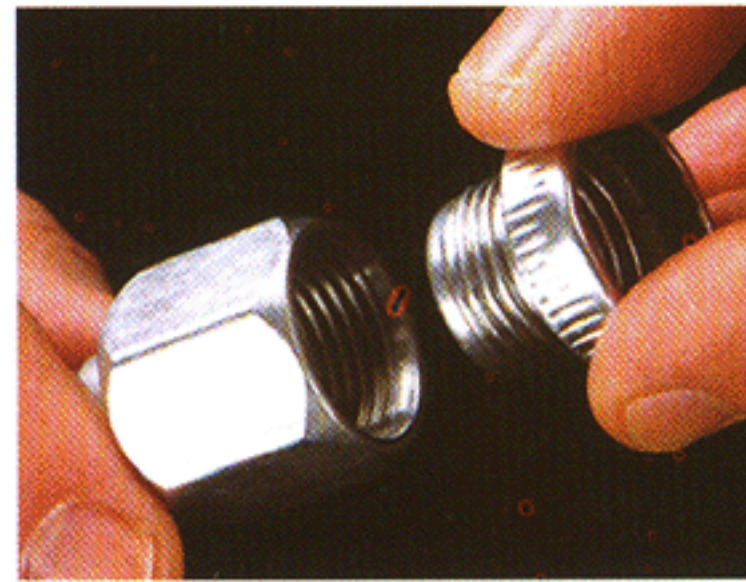
MATERIAL: 3003-0 Aluminum Alloy
COLOR: Natural



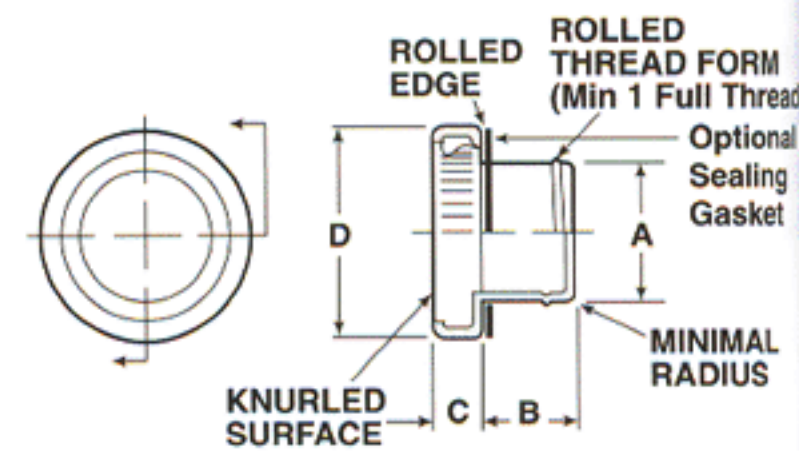
AFO Series Threaded Aluminum Plugs For Flat-Faced O-Ring Hydraulic Fittings



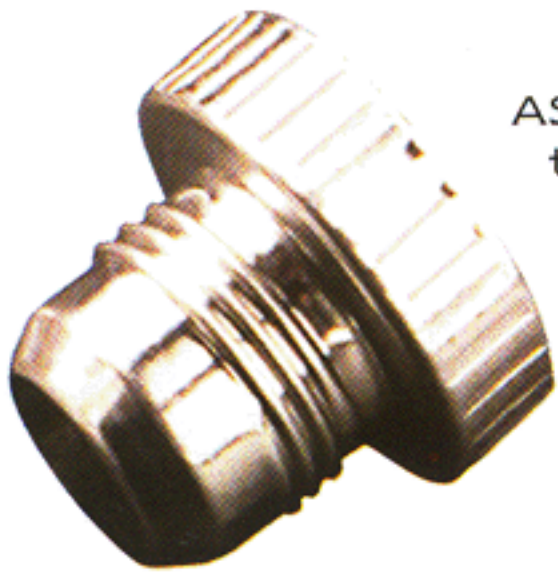
Series AFO Plugs are designed for positive, metal-to-metal threaded protection of fluid lines and fittings. Available with optional neoprene gaskets. Sealing gaskets are also available in Butyl or Buna N rubber.



MATERIAL: 3003-0 Aluminum Alloy
COLOR: Natural



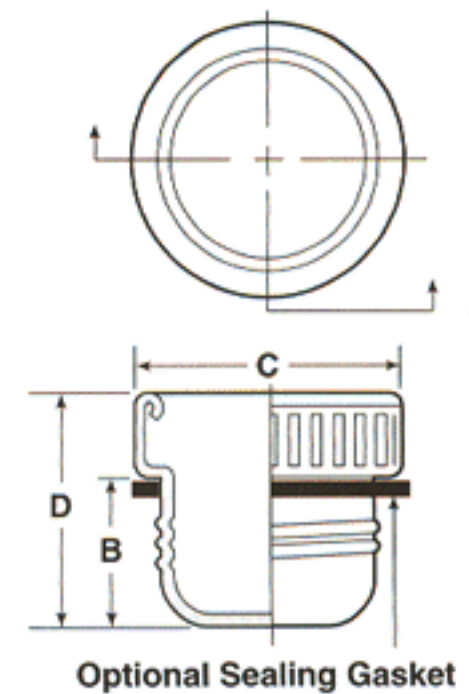
ASP Series Threaded Aluminum Plugs for 37° Flared Fittings and Straight-Threaded Ports



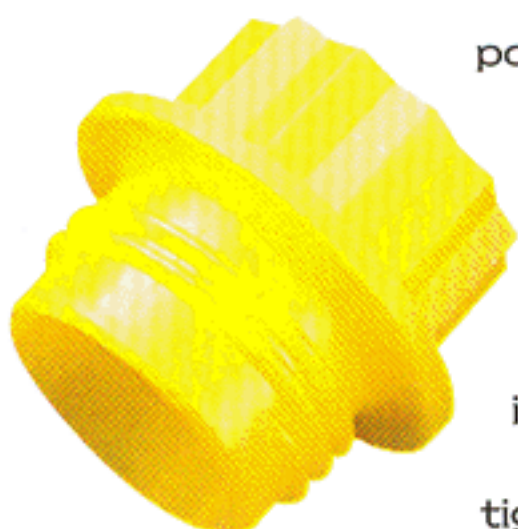
Designed for protection of 37° flare fittings and straight-threaded ports, the Series ASP Plug has a nose section that seals on flared fittings without a gasket. The ASP-GN has an added neoprene shoulder gasket for low-pressure sealing of threaded ports. Butyl or Buna N gaskets are also available.



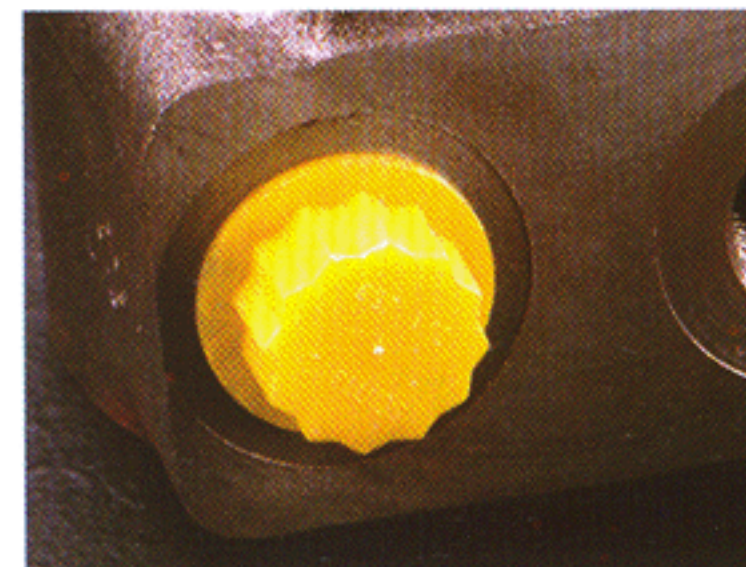
MATERIAL: 3003-0 Aluminum Alloy
COLOR: Natural



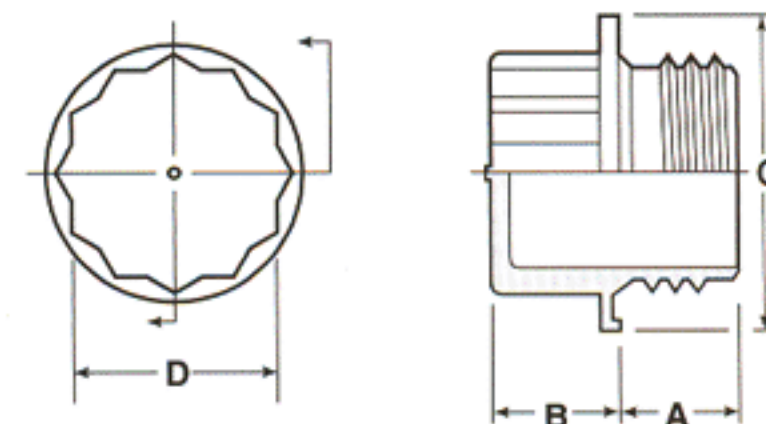
BSP Series Plastic Threaded Plugs For British Standard Pipe Fittings



Series BSP Plugs provide positive protective sealing on ports threaded for British Standard Pipe fittings. A unique flange compression seal prevents leakage of residual fluid. Designed for easy finger installation, a 12-point head enables socket or wrench tightening for a positive seal.



MATERIAL: Polypropylene
COLOR*: Yellow



threaded PLUGS



ADP Series

Specs.: MIL-C-5501/2, NAS-842

Dimensions								Packaging				Caplug No.
To Fit Tube Size	To Fit Thread Size	B		C		D		Standard Carton		Mini Pak Quantity		
		in	mm	in	mm	in	mm	Shipping Wt.(Approx.) lbs	kgs		No. of Pieces	
5/32	5/16-24	.34	8.64	.47	11.94	.52	13.21	7	3.2	5500	1000	ADP-2
3/16	3/8-24	.28	7.11	.57	14.48	.52	13.21	10	4.5	5000	1000	ADP-3
1/4	7/16-20	.29	7.37	.61	15.49	.54	13.72	9	4.0	7000	1000	ADP-4
5/16	1/2-20	.32	8.13	.70	17.78	.55	13.97	11	4.9	5500	1000	ADP-5
3/8	9/16-18	.33	8.38	.76	19.30	.60	15.24	12	5.4	4000	1000	ADP-6
7/16	5/8-18	.31	7.87	.90	22.86	.59	14.99	16	7.2	5000	1000	ADP-7
1/2	3/4-16	.43	10.92	.94	23.88	.72	18.29	15	6.8	4700	800	ADP-8
5/8	7/8-14	.49	12.45	1.11	28.20	.74	18.80	12	5.4	3500	500	ADP-10
3/4	1 1/16-12	.47	11.94	1.38	35.05	.81	20.57	26	11.7	1900	500	ADP-12
1	1 5/16-12	.45	11.43	1.53	38.86	.82	20.83	13	5.8	1200	200	ADP-16

AFO Series

Dimensions									Packaging				Caplug No.
To Fit Thread Size	A		B		C		D		Standard Carton		Mini Pak Quantity		
	in	mm	in	mm	in	mm	in	mm	Shipping Wt. (Approx.) lbs	kgs		No. of Pieces	
11/16-16	.607	15.42	.48	12.19	.29	7.37	.94	23.88	6	2.7	4500	1000	AFO-60
13/16-16	.730	18.54	.53	13.46	.29	7.37	1.11	28.20	7	3.1	3200	400	AFO-80
1-14	.907	23.04	.63	16.00	.31	7.87	1.38	35.05	10	4.5	1700	300	AFO-100
1 3/16-12	1.080	27.43	.70	17.78	.31	7.87	1.38	35.05	20	9.0	1400	300	AFO-120
1 7/16-12	1.330	33.78	.70	17.78	.43	10.92	2.00	50.80	22	9.9	650	100	AFO-160

Specs.: MIL-C-5501/1, NAS-818, NAS-836

ASP Series

Dimensions								Packaging				Caplug No.
To Fit Tube Size	To Fit Thread Size	B		C		D		Standard Carton		Mini Pak Quantity		
		in	mm	in	mm	in	mm	Shipping Wt. (Approx.) lbs	kgs		No. of Pieces	
3/16	3/8-24	0.37	9.4	0.57	14.48	0.61	15.49	7	3.1	4500	1000	ASP-3
1/4	7/16-20	0.46	11.7	0.61	15.49	0.71	18.03	11	4.9	5000	1000	ASP-4
5/16	1/2-20	0.47	11.9	0.70	17.78	0.70	17.78	15	6.8	5000	1000	ASP-5
3/8	9/16-18	0.50	12.7	0.76	19.30	0.77	19.56	12	5.4	5000	1000	ASP-6
3/8	5/8-18	0.50	12.7	0.90	22.86	0.78	19.81	15	6.8	5000	1000	ASP-7
1/2	3/4-16	0.61	15.5	0.94	23.88	0.90	22.86	16	7.2	4000	800	ASP-8
5/8	7/8-14	0.70	17.8	1.11	28.20	0.95	24.13	12	5.4	3000	500	ASP-10
3/4	1 1/16-12	0.65	16.5	1.38	35.05	0.99	25.15	18	8.1	1700	500	ASP-12
1	1 5/16-12	0.71	18.0	1.53	38.86	1.08	27.43	13	5.8	1150	200	ASP-16

BSP Series

Dimensions								Packaging				Caplug No.
To Fit Thread Size	A		B		C		Wrench Size	Standard Carton		Mini Pak Quantity		
	in	mm	in	mm	in	mm		Shipping Wt.(Approx.) lbs	kgs		No. of Pieces	
G 1/4	.36	9.14	.33	8.38	.728	18.49	11	15	6.8	5000	1000	BSP-1/4
G 3/8	.36	9.14	.33	8.38	.886	22.51	14	18	8.1	4000	800	BSP-3/8
G 1/2	.43	10.92	.44	11.18	1.043	26.49	18	16	7.2	2000	400	BSP-1/2