



PLUGS threaded

P Series Plastic Threaded Plugs for Pipe Fitting

EXPANDED

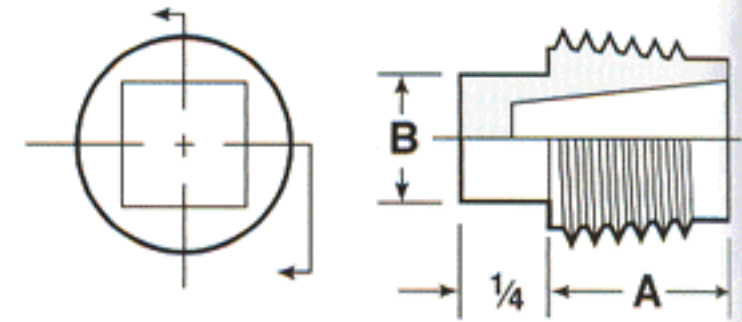


Series P Pipe Plugs are available in three styles: square head, round head and recessed socket. They are molded in high density polyethylene and are ideal for keeping moisture, dirt and other contaminants from NPT-threaded ports.

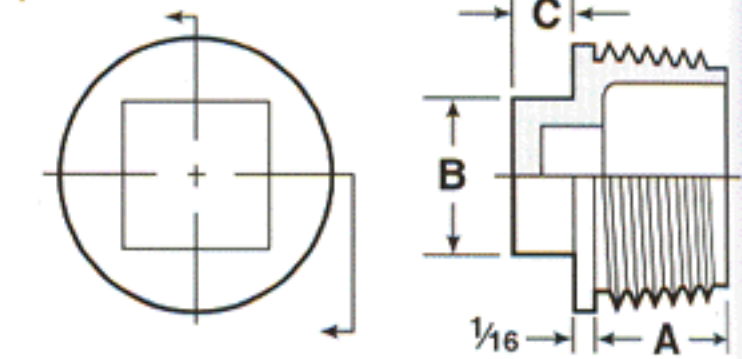


MATERIAL: High Density Polyethylene
COLOR*: Red

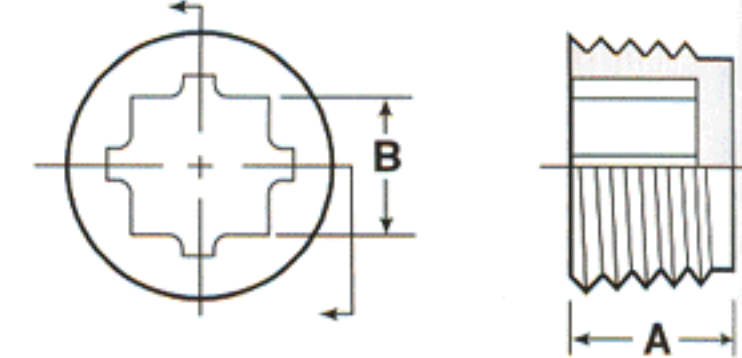
Tapered Thread



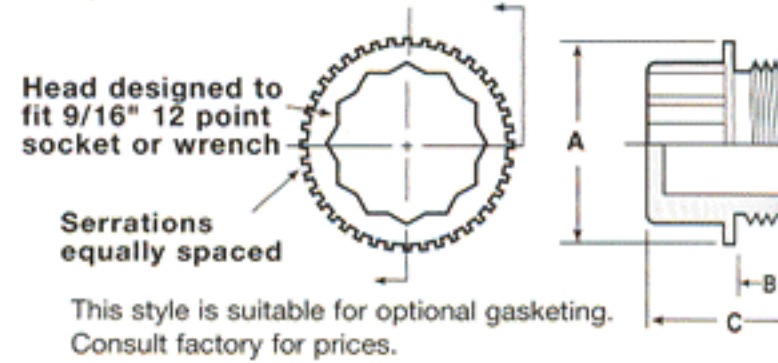
Tapered Thread



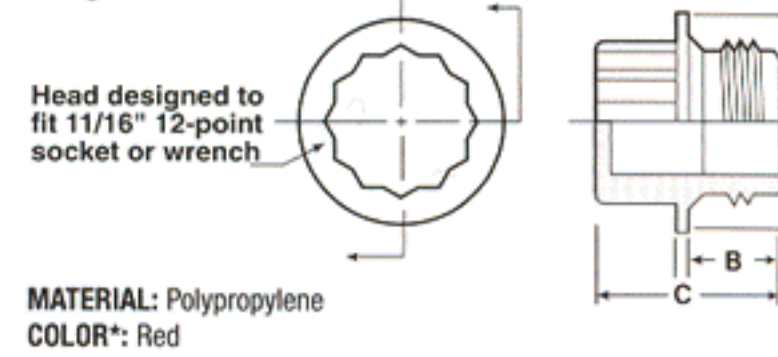
Tapered Thread



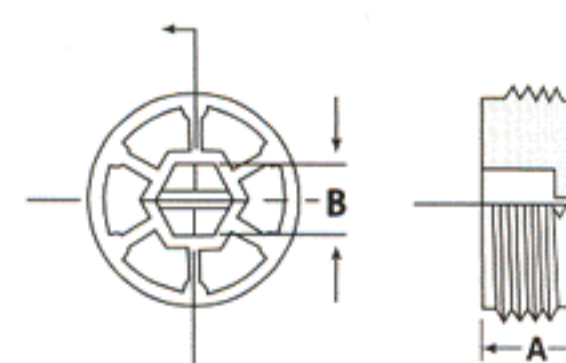
Straight Thread



Straight Thread



Straight Thread



threaded PLUGS



cs.: MIL-C-5501/5

P Series

To Fit Thread Size	Dimensions						Packaging				Caplug No.
	A		B		C		Standard Carton		Mini Pak Quantity		
	in	mm	in	mm	in	mm	Shipping Wt. (Approx.) lbs	kgs		No. of Pieces	
1/8" NPT	0.44	11.18	0.28	7.11	-	-	10	4.5	5000	1000	P-18
1/4" NPT	0.50	12.70	0.37	9.40	-	-	16	7.2	5000	1000	P-28
3/8" NPT	0.56	14.22	0.44	11.18	-	-	24	10.8	5000	1000	P-38
1/2" NPT	0.59	14.99	0.56	14.22	-	-	18	8.1	2500	500	P-48
1 1/4" NPT	0.75	19.05	0.75	19.05	-	-	18	8.1	800	160	P-108
3/4" NPT	0.62	15.75	0.62	15.75	0.25	6.35	11	4.9	1000	200	P-68H
1" NPT	0.72	18.29	0.81	20.57	0.31	7.87	16	7.2	1000	200	P-88H
3/4" NPT	0.62	15.75	0.50	12.70	-	-	12	5.4	1000	200	P-68V
1/8" NPT	0.56	14.22	0.27	6.85	0.58	14.73	17	7.6	5000	1000	P-18B
1/4" NPT	0.74	18.80	0.37	9.39	0.68	17.27	13	5.8	5000	1000	P-28B
3/8" NPT	0.83	21.08	0.33	8.38	0.71	10.03	10	4.5	2500	500	P-38B
1/2" NPT	1.04	26.42	0.56	14.22	0.94	23.88	10	4.5	1000	200	P-48B
3/4" NPT	1.31	33.28	0.63	16.00	1.04	26.42	13	5.8	1000	200	P-68B
1/2" -14 NPT	1.04	26.41	0.50	12.70	0.94	23.87	18	8.1	3000	600	P-48C
3/4" NPT	0.50	12.70	0.31	7.87	-	-	19	8.6	2500	500	P-68VH